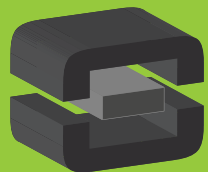


From Off-The-Shelf to Market-Ready© New Age Enclosures is your Single Source Solution.
Let us quote modifying our Stock Enclosures to meet your end-use.
visit newageenclosures.com/services or call 855-4NA-ENCL today.

CNC CUTOUTS
PART DECORATING
CUSTOM COLOR AND MATERIAL
RF/EMI SHIELDING
CUSTOM TOOL INSERTS
CUSTOM ENCLOSURES AND DESIGN



NEW AGE
ENCLOSURES

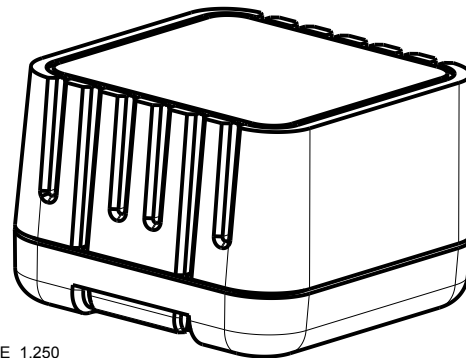
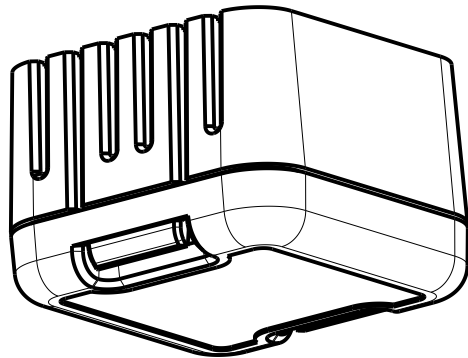
DEVELOP THE FUTURE



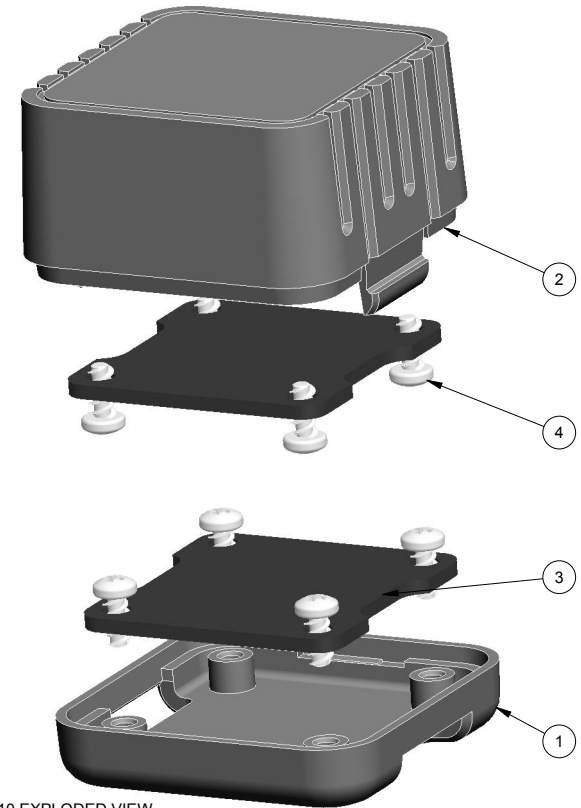
NOTES: UNLESS OTHERWISE SPECIFIED

- CORNERS DRAWN SHARP TO BE R.010 MAXIMUM.
- EXTERIOR SURFACE TEXTURE TO BE LIGHT EDM FINISH, EQUIVALENT TO MT-11010. TEXTURE ON ENCLOSURE WILL VARY FROM TIME TO TIME AS THE TOOL WEARS AND IT BECOMES NECESSARY TO REAPPLY.
- ALL INSIDE RADII .020R. UNLESS OTHERWISE SPECIFIED.
- ALL EXTERNAL DIMENSIONS AFFECTED BY THE DRAFT APPLY AT THE LARGE END OF THE FEATURE, AND ALL INTERNAL FEATURES AFFECTED BY THE DRAFT APPLY AT THE SMALL END OF THE FEATURE UNLESS OTHERWISE SPECIFIED.
- 1 DEGREE DRAFT IN THE DIRECTION OF PULL IS PERMISSIBLE UNLESS OTHERWISE SPECIFIED.
- MATERIAL / COLOR: ABS PLASTIC IS STANDARD IN BLACK OR WHITE. CUSTOM MATERIALS AND COLORS ARE AVAILABLE UPON REQUEST FOR QUOTE. ALTERNATE RESINS HAVE DIFFERENT SHRINK RATES, AND WILL EFFECT DIMENSIONS.
- PCB SIZES ARE RECOMMENDATIONS ONLY. FINAL SIZES AND VERIFICATION OF ITS FIT ARE THE SOLE RESPONSIBILITY OF EACH CUSTOMER.
- ASSEMBLY SCREWS FOR THE ENCLOSURE INCLUDED. MOUNTING SCREWS FOR THE PCB ARE CUSTOMER SUPPLIED.
- THIS DRAWING IS BASED ON A SOLID MODEL, AND IS FURTHER DEFINED BY THE SOLID MODEL FILE.
- ALLOWABLE FLASH: 0.015 MAX.
- ALL EJECTOR PIN MARKS TO BE WITHIN 0.015" OF FLUSH, PROTRUDING OR BELOW FLUSH.
- TRIM GATE WITHIN 0.030" OF FLUSH.

R E V I S I O N					
REV.	DRAWN BY	ECO No	DESCRIPTION	DATE	APPROVE
A	M BOYER	DR XXX	PRELIMINARY RELEASE	2020-Mar-18	D.C.
B	M BOYER		INCLUDE TAB SPINE AS BUILT	2020-Aug-19	D.C.
1.0	R CRUZ	02220	UPDATE TO AS-BUILT AND RELEASE	2020-Oct-15	



SCALE 1.250



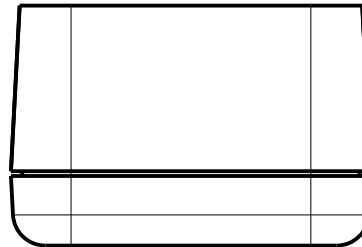
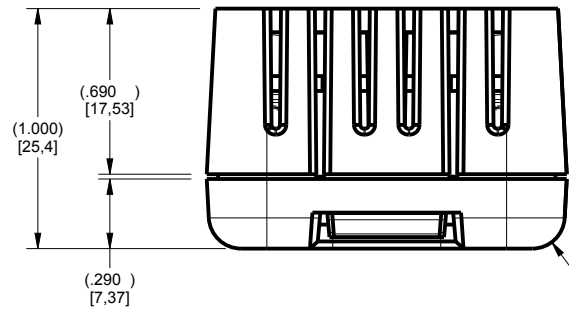
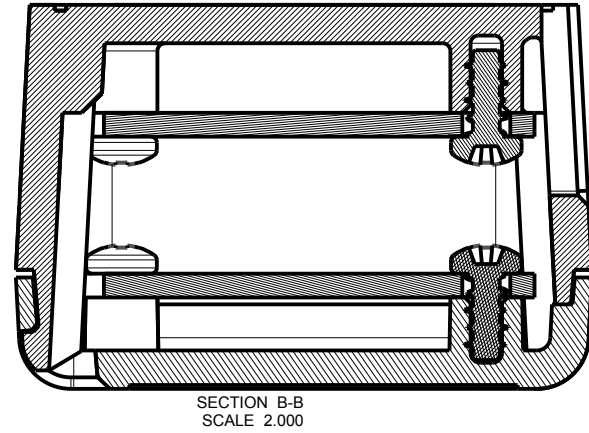
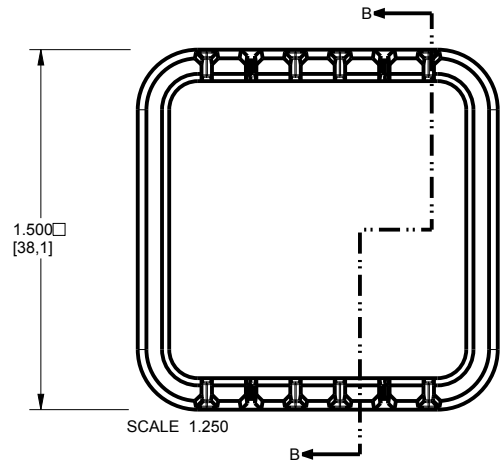
151510 EXPLODED VIEW
SCALE 1.250

ITEM	FILE NAME	DESCRIPTION	MATERIAL	COLOR	QTY.
4	SCREW_HILO-N04X250	#4 HiLo x .250" SCREW	REFERENCE ONLY	CUSTOMER SUPPLIED	8
3	151510_PCB_062	151510 PCB - REFERENCE	.062" THICK	CUSTOMER SUPPLIED	2
2	151510_COVER	151510 COVER - STANDARD	ABS	BLACK or WHITE	1
1	151510_BASE	151510 BASE - STANDARD	ABS	BLACK or WHITE	1

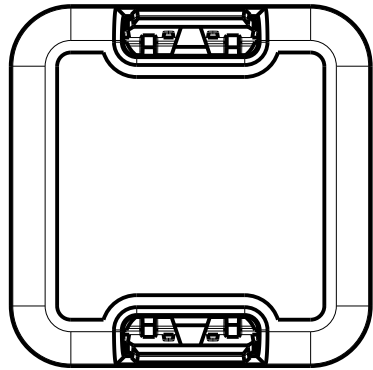
BILL OF MATERIALS

<p>THIRD ANGLE PROJECTION</p> <p>DO NOT SCALE DRAWING</p>	<p>TOLERANCES: UNLESS OTHERWISE SPECIFIED DIMENSIONS ARE IN U.S. INCHES.</p> <p>X.XX = .015 X.XXXX = .001 X.XXX = .010 X.X" = 1°</p>		<p>NEW AGE ENCLOSURES</p> <p>2240 South Thornburg Street Santa Maria, CA. 93455 ph. (805) 595-1310 fax (805) 595-1024 www.newageenclosures.com</p>	
	<p>Customer's Part No: 151510</p>		<p>1½" VENTED CUBE - STANDARD PXX-151510-XXX</p>	
<p>APPROVAL</p> <p>CHECK</p> <p>ENG.</p> <p>SCALE</p>	<p>BY</p> <p>DATE</p> <p>AS NOTED</p>	<p>DRAWN BY</p> <p>M BOYER</p>	<p>DATE</p> <p>2020-Mar-18</p>	<p>SIZE</p> <p>A</p>
<p>NOTICE: THE INFORMATION AND DATA CONTAINED HEREIN IS CONSIDERED PROPRIETARY TO ALLTEC INTEGRATED MFG INC & SHALL REMAIN THE EXCLUSIVE PROPERTY OF ALLTEC INTEGRATED MFG INC. THE HOLDER WILL ASSUME CUSTODY AND CONTROL THAT THIS DOCUMENT WILL NOT BE COPIED, REPRODUCED, OR DISCLOSED WITHOUT THE EXPRESS WRITTEN CONSENT OF ALLTEC INTEGRATED MFG INC. POSSESSION OF THIS DOCUMENT DOES NOT CONSTITUTE A GRANT TO MANUFACTURE ANY ITEMS.</p> <p>© 2020</p>		<p>DRAWING NAME</p> <p>151510_R1_0</p>	<p>SHEET</p> <p>1 OF 6</p>	<p>REV.DOC</p> <p>1.0</p>

151510 ASSEMBLY



(R.135)
[3.43]



TOLERANCES: UNLESS OTHERWISE SPECIFIED
DIMENSIONS ARE IN U.S. INCHES.
X.XX = .015 X.XXXX = .001
X.XXX = .010 X.X° = 1°

NEW AGE ENCLOSURES

Customer's Part No: 151510

APPROVAL BY DATE

CHECK

ENG.

SCALE AS NOTED

DRAWN BY M BOYER 2020-Mar-18

NEW AGE ENCLOSURES

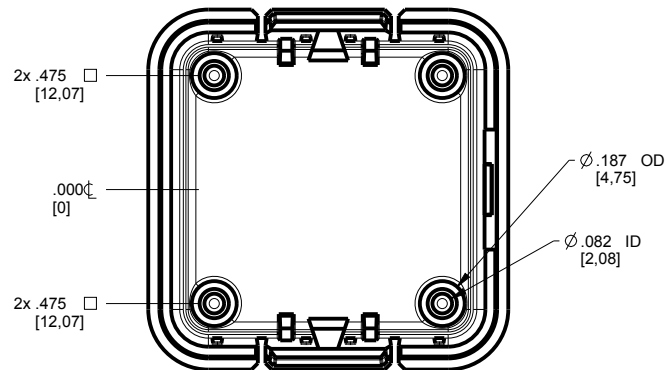
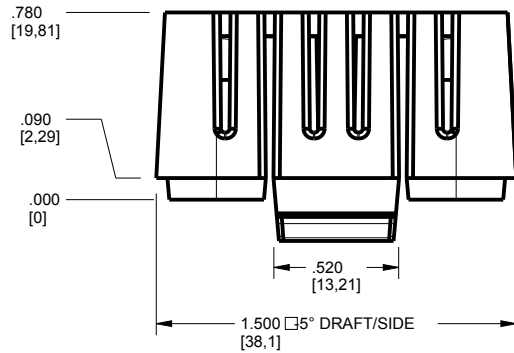
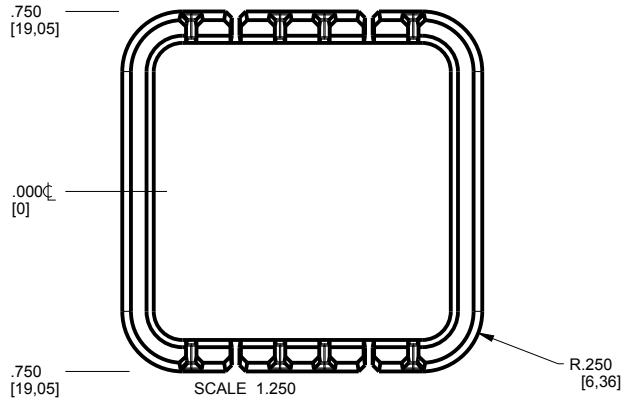
2240 South Thornburg Street Santa Maria, CA. 93455
ph. (805) 595-1310 fax (805) 595-1024
www.newageenclosures.com

**1½" VENTED CUBE - STANDARD
PXX-151510-XXX**

SIZE A DRAWING NAME 151510_R1_0

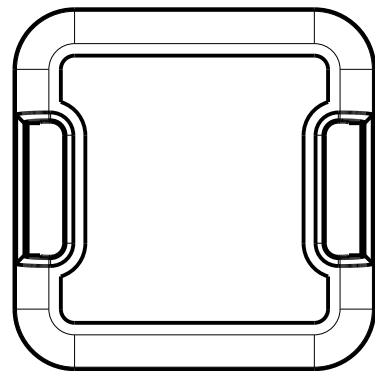
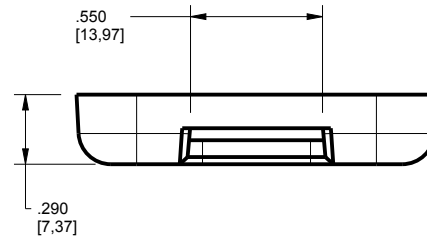
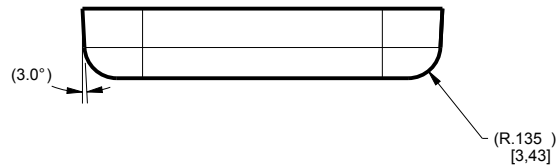
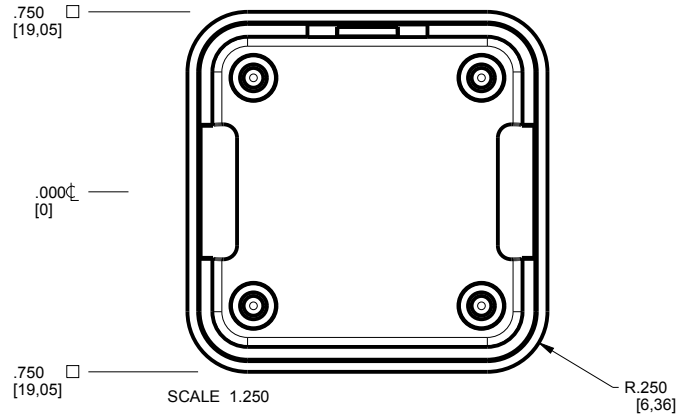
SHEET 2 OF 6 REV.DOC 1.0

151510 COVER



TOLERANCES: UNLESS OTHERWISE SPECIFIED DIMENSIONS ARE IN U.S. INCHES.		NEW AGE ENCLOSURES		
X.XX = .015 X.XXXX = .001 X.XXX = .010 X.X° = 1°		2240 South Thornburg Street Santa Maria, CA. 93455 ph. (805) 595-1310 fax (805) 595-1024 www.newageenclosures.com		
NEW AGE ENCLOSURES		Customer's Part No: 151510		
APPROVAL	BY	DATE	1½" VENTED CUBE - STANDARD PXX-151510-XXX	
CHECK				
ENG.				
SCALE	AS NOTED			
DRAWN BY	SIZE	DRAWING NAME	SHEET	REV.DOC
M BOYER	2020-Mar-18	A 151510_R1_0	3 OF 6	1.0

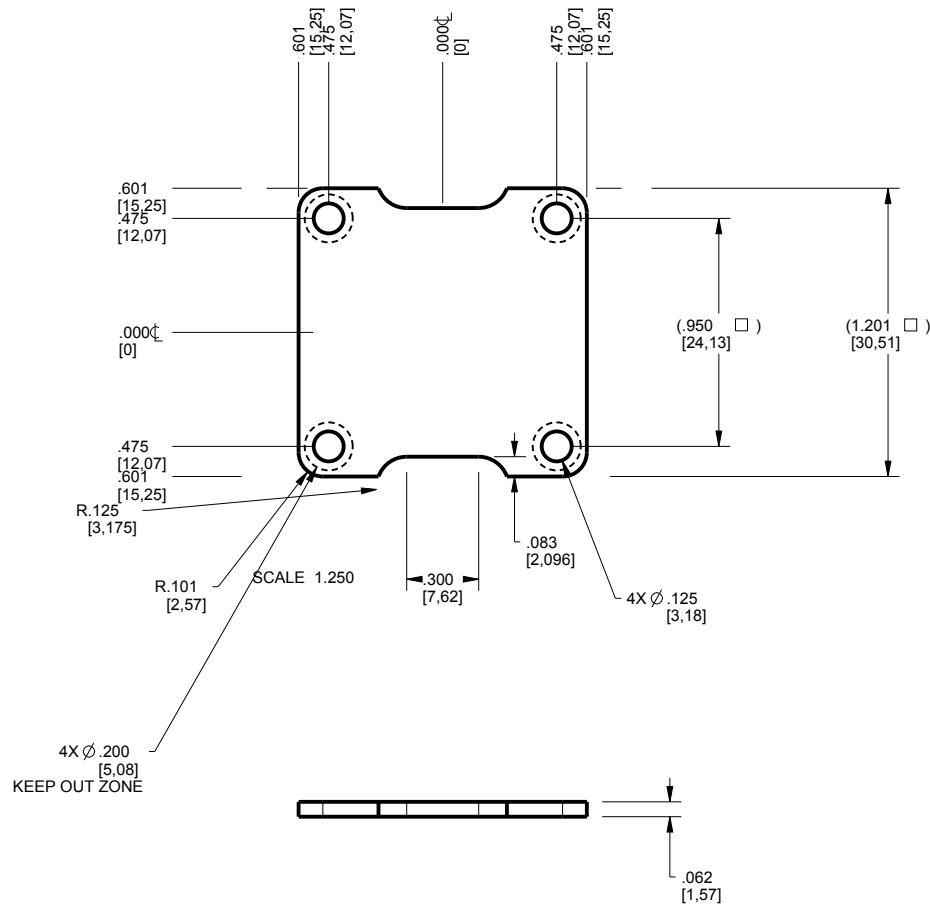
151510 BASE



TOLERANCES: UNLESS OTHERWISE SPECIFIED DIMENSIONS ARE IN U.S. INCHES. X.XX = .015 X.XXXX = .001 X.XXX = .010 X.X° = 1°		NEW AGE ENCLOSURES		
Customer's Part No: 151510		2240 South Thornburg Street Santa Maria, CA. 93455 ph. (805) 595-1310 fax (805) 595-1024 www.newageenclosures.com		
APPROVAL	BY	DATE	1½" VENTED CUBE - STANDARD PXX-151510-XXX	
CHECK				
ENG.				
SCALE	AS NOTED			
DRAWN BY	SIZE	DRAWING NAME	SHEET	REV.DOC
M BOYER	2020-Mar-18	A 151510_R1_0	4 OF 6	1.0

151510 PCB - CUSTOMER SUPPLIED

PCB SIZES ARE RECOMMENDATIONS ONLY. FINAL SIZES AND VERIFICATION OF ITS FIT ARE THE SOLE RESPONSIBILITY OF THE OEM.



TOLERANCES: UNLESS OTHERWISE SPECIFIED
DIMENSIONS ARE IN U.S. INCHES.
X.XX = .015 X.XXXX = .001
X.XXX = .010 X.X° = 1°

Customer's Part No: 151510

APPROVAL BY DATE

CHECK

ENG.

SCALE AS NOTED

DRAWN BY M BOYER 2020-Mar-18

NEW AGE ENCLOSURES

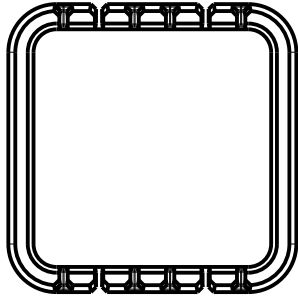
2240 South Thornburg Street Santa Maria, CA. 93455
ph. (805) 595-1310 fax (805) 595-1024
www.newageenclosures.com

1½" VENTED CUBE - STANDARD
PXX-151510-XXX

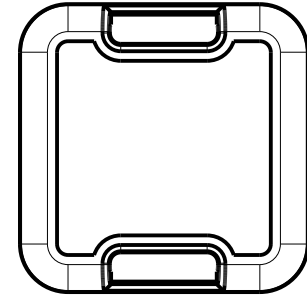
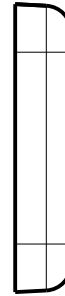
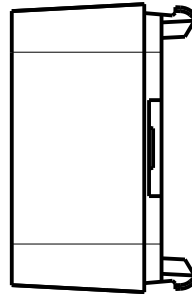
SIZE A	DRAWING NAME 151510_R1_0	SHEET 5 OF 6	REV.DOC 1.0
--------	--------------------------	--------------	-------------

151510 - 2nd OPERATION DETAILS

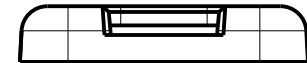
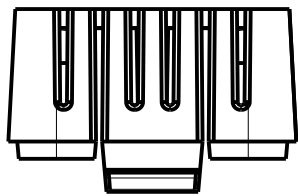
NEW AGE ENCLOSURES DELIVERS YOUR ENCLOSURE MARKET-READY WITH IN-HOUSE
 CNC MACHINING, PAD PRINTING, ASSEMBLY, AND FULFILLMENT.
 ALL SURFACES AND AREAS ARE AVAILABLE FOR CNC ALTERATION BY NEW AGE ENCLOSURES
 CALL (805) 595-1310 FOR PRICING AND SCHEDULE.
 THE INSIDE RADIUS OF ANY MACHINED FEATURES SHOULD BE NO SMALLER THAN .031"



303012 COVER
SCALE 1.000



303012 BASE
SCALE 1.000



SXX-151510-XXX COVER - ABS, BLACK					
STEP NO	DESCRIPTION	CUTTER	FIXTURE	ORIENTATION	PROGRAM
1-C-C1	-	T2 = .062" EM	-		
2-C-C2	-	T2 = .062" EM	-		

SXX-151510-XXX COVER - ABS, BLACK					
STEP NO	DESCRIPTION	INK COLOR	CLICHE DESCRIPTION	CLICHE No.	
3-C-P1	PAD PRINT			CLXXXX R1	

TOLERANCES: UNLESS OTHERWISE SPECIFIED
 DIMENSIONS ARE IN U.S. INCHES.
 X.XX = .015 X.XXXX = .001
 X.XXX = .010 X.X° = 1°

NEW AGE ENCLOSURES
 Customer's Part No: 151510

APPROVAL	BY	DATE
CHECK		
ENG.		
SCALE	AS NOTED	
DRAWN BY	2020-Mar-18	
M BOYER		

NEW AGE ENCLOSURES
 2240 South Thornburg Street Santa Maria, CA. 93455
 ph. (805) 595-1310 fax (805) 595-1024
www.newageenclosures.com

1½" VENTED CUBE - STANDARD
PXX-151510-XXX

SIZE	DRAWING NAME	SHEET	REV.DOC
A	151510_R1_0	6 OF 6	1.0