

Ordering a market-ready enclosure® is made fast and affordable with our complete in-house capabilities. New Age provides machined openings to fit your PCB, pad printing for your graphics, custom enclosures, custom colors, final assembly, testing and fulfillment services to save you additional time and money. Ask your representative for a free quote today 805-595-1310.

## ***Fast and Affordable Customization***

**CNC Modifications  
Pad Printing  
Colored Resins  
EMI/RF Shielding  
Custom Enclosure  
Assembly & Testing**



ISO quality  
off-the-shelf  
to market-ready®

# **NEW AGE ENCLOSURES**

[www.NewAgeEnclosures.com](http://www.NewAgeEnclosures.com)

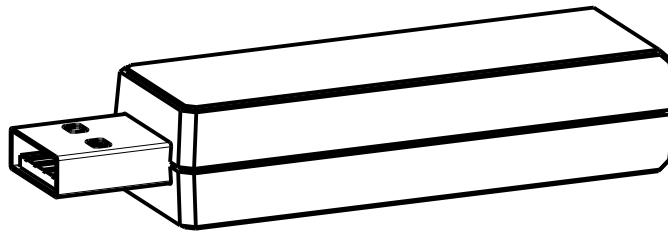
4330 Santa Fe Road • San Luis Obispo, CA 93401 • T 805.595.1310 • F 805.595.1024

NOTES: UNLESS OTHERWISE SPECIFIED

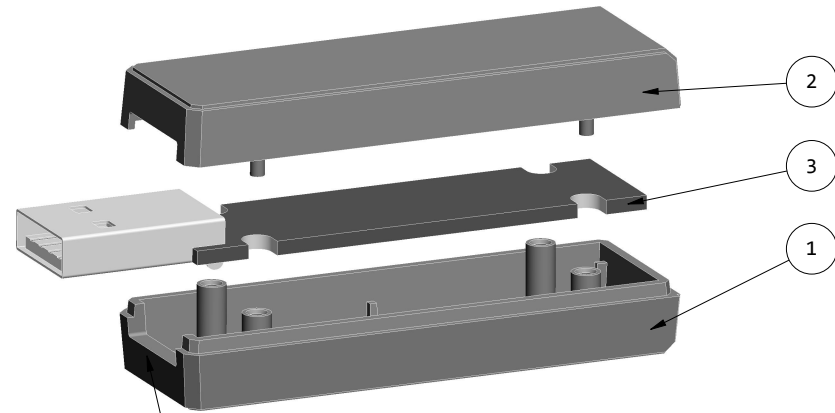
- CORNERS DRAWN SHARP TO BE R.005 MAXIMUM.
- EXTERIOR SURFACE TEXTURE TO BE MT-11007.
- INTERIOR SURFACE TEXTURE TO BE: NONE.
- ALL INSIDE RADII .010R. ALL OUTSIDE RADII .020R MAX, UNLESS OTHERWISE SPECIFIED.
- ALL EXTERNAL DIMENSIONS AFFECTED BY THE DRAFT APPLY AT THE LARGE END OF THE FEATURE, AND ALL INTERNAL FEATURES AFFECTED BY THE DRAFT APPLY AT THE SMALL END OF THE FEATURE UNLESS OTHERWISE SPECIFIED.
- 1 DEGREE DRAFT IN THE DIRECTION OF PULL IS PERMISSIBLE UNLESS OTHERWISE SPECIFIED.
- THIS ENCLOSURE IS A PRESS FIT ASSEMBLY. FOR PERMANENT CLOSURE: A DROP OF ADHESIVE OR ULTRASONIC WELDING IS REQUIRED.
- MATERIAL / COLOR: ABS PLASTIC IS STANDARD IN BLACK OR WHITE. CUSTOM MATERIALS AND COLORS ARE AVAILABLE UPON REQUEST FOR QUOTE.
- PCB SIZES ARE RECOMMENDATIONS ONLY. FINAL SIZES AND VERIFICATION OF IT'S FIT ARE THE SOLE RESPONSIBILITY OF OEM.

R E V I S I O N

REV.	DRAWN BY	ECO No	DESCRIPTION	DATE	APPROVED
A	M BOYER	DR XXX	PRELIMINARY RELEASE	2010-Apr-21	D.C.
B	M BOYER		REDESIGN TO SQUARE UTILITY SHAPE	2010-Apr-27	D.C.
C	M BOYER		MORE SQUARE	2010-Apr-29	D.C.
D	M BOYER		ROUNDED EDGES TO CHAMFERS WITH DECORATIVE LIP	2011-Jan-15	D.C.
E	M BOYER		CHANGES PER MEETING 17-Jan-11	2011-Jan-18	D.C.
F	M BOYER		CHANGE PCB POSTS TO $\varnothing .047$ FROM $\varnothing .062$	2011-Jan-20	D.C.
G	M BOYER		ADD USB COVER NOTE	2011-Jan-26	D.C.
H	M BOYER		CHANGLE PART NO FROM 220805 TO 220705	2011-Jun-07	D.C.
I	M BOYER		UPDATE TITLE BLOCK	2011-Jun-22	D.C.
1.0	M BOYER		RELEASED TO MFG BY CUSTOMER	2011-Jun-22	D.C.
2.0	M BOYER	1813	REVISE TEXTURE	2013-Apr-05	J.T.
3.0	M BOYER	00815	REVISE TEXTURE	2015-Feb-13	J.T.
4.0	M BOYER	04916	UPDATE TO AS BUILT AND REMOVE CAP REFERENCE	2016-Nov-09	



SCALE 1.250



MOLDED USB OPENING (OPTIONAL) EXPLODED VIEW: 220705-U SCALE 1.250

220705(x) CONFIGURATIONS

	-S	-U
220705 COVER	1	
220705 COVER w/ TYPE "A" USB OPENING		1
220705 BASE	1	
220705 BASE w/ TYPE "A" USB OPENING		1

ITEM	FILE NAME	DESCRIPTION	MATERIAL	COLOR	QTY.
3	220705_PCB	220705 PCB - REFERENCE	.062" THICK	CUSTOMER SUPPLIED	1
2	220705_COVER	220705X COVER - STANDARD	ABS	BLACK or WHITE	1
1	220705_BASE	220705X BASE - STANDARD	ABS	BLACK or WHITE	1

BILL OF MATERIALS

THIRD ANGLE PROJECTION  
DO NOT SCALE DRAWING

TOLERANCES: UNLESS OTHERWISE SPECIFIED DIMENSIONS ARE IN U.S. INCHES.  
X.XX = .015 X.XXXX = .001  
X.XXX = .010 X.X" = 1"

NEW AGE ENCLOSURES  
Customer's Part No: 220705

APPROVAL	BY	DATE
CHECK		
ENG.		
SCALE	AS NOTED	
DRAWN BY	2010-Apr-21	
M BOYER		

NOTICE: THE INFORMATION AND DATA CONTAINED HEREIN IS CONSIDERED PROPRIETARY TO ALLTEC INTEGRATED MFG INC & SHALL REMAIN THE EXCLUSIVE PROPERTY OF ALLTEC INTEGRATED MFG INC. THE HOLDER WILL ASSUME CUSTODY AND CONTROL THAT THIS DOCUMENT WILL NOT BE COPIED, REPRODUCED, OR DISCLOSED WITHOUT THE EXPRESS WRITTEN CONSENT OF ALLTEC INTEGRATED MFG INC. POSSESSION OF THIS DOCUMENT DOES NOT CONSTITUTE A GRANT TO MANUFACTURE ANY ITEMS.  
© 2016

**NEW AGE ENCLOSURES**  
4330 Santa Fe Road San Luis Obispo, CA. 93401  
ph. (805) 595-1310 fax (805) 595-1024  
[www.newageenclosures.com](http://www.newageenclosures.com)

USB DONGLE - STANDARD  
PXX-220705X-XXX

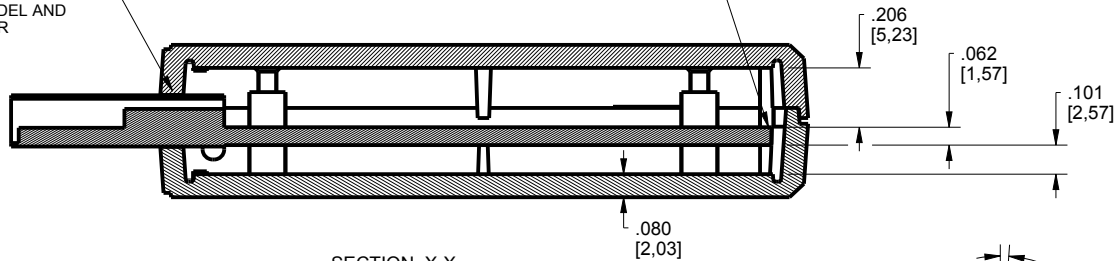
SIZE	DRAWING NAME	SHEET	REV.DOC
A	220705_R4_0	1 OF 6	4.0



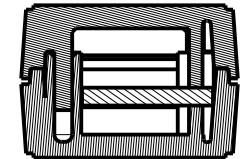
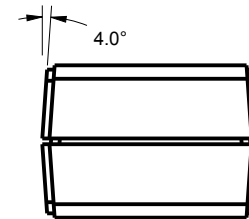
SCALE 1.500

THE FRONT OF THE PCB IS SUPPORTED BY CAPTURING THE USB CONNECTOR. WHEN ORDERING A 220705-S ENCLOSURE WITHOUT A PROTRUDING CONNECTOR THE DESIGNER SHOULD DISCUSS MOLDING ALTERNATE FRONT PCB POSTS FOR SUPPORT. SEE 3-D CAD MODEL AND ASK YOUR SALES REP FOR A QUOTE.

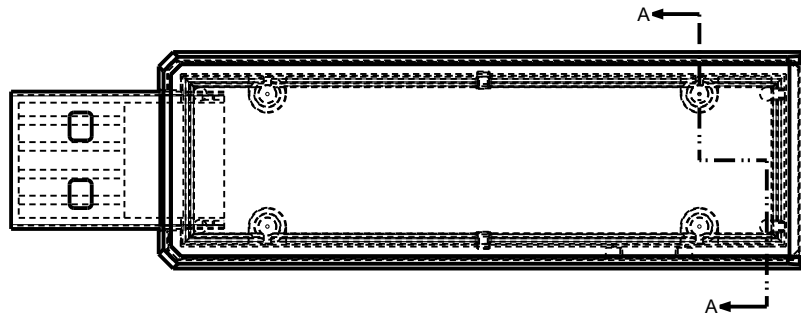
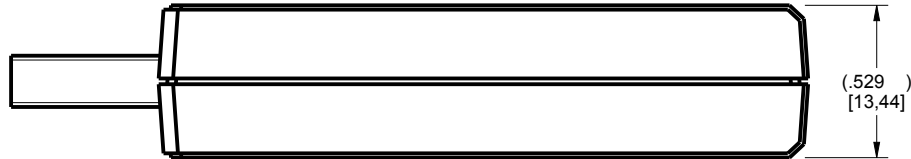
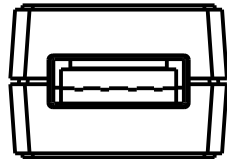
THIS ENCLOSURE CAN ACCOMMODATE VARIOUS PCB THICKNESSES BY ADJUSTING THE MOLDED LENGTH OF TWO REAR POSTS. THE STANDARD PCB THICKNESS IS 0.062" ASK YOUR SALES REP FOR QUOTE.



SECTION X-X



SECTION A-A



TOLERANCES: UNLESS OTHERWISE SPECIFIED DIMENSIONS ARE IN U.S. INCHES.

X.XX = .015 X.XXXX = .001  
X.XXX = .010 X.X° = 1°

NEW AGE ENCLOSURES

Customer's Part No: 220705

APPROVAL	BY	DATE
CHECK		
ENG.		
SCALE	AS NOTED	

DRAWN BY  
M BOYER  
2010-Apr-21

**NEW AGE ENCLOSURES**

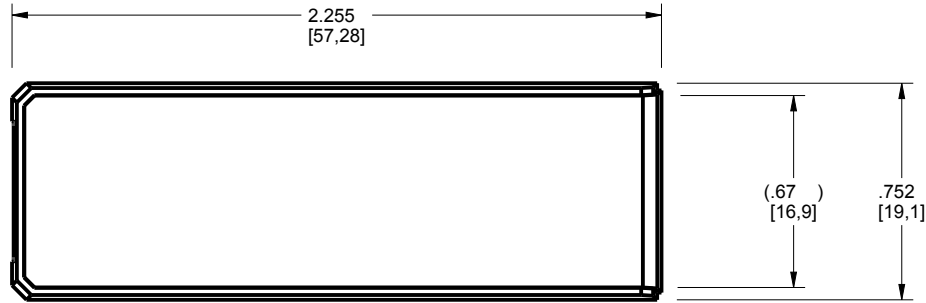
4330 Santa Fe Road San Luis Obispo, CA. 93401  
ph. (805) 595-1310 fax (805) 595-1024  
[www.newageenclosures.com](http://www.newageenclosures.com)

**USB DONGLE - STANDARD  
PXX-220705X-XXX**

SIZE A  
DRAWING NAME  
220705\_R4\_0

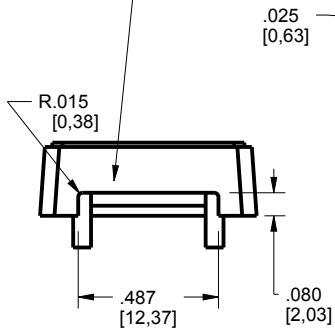
SHEET 2 OF 6  
REV.DOC 4.0

# 220705 COVER



SCALE 1.500

MOLDED TYPE A USB OPENING (OPTIONAL)



.025 [0,63]

.015 [0,38]

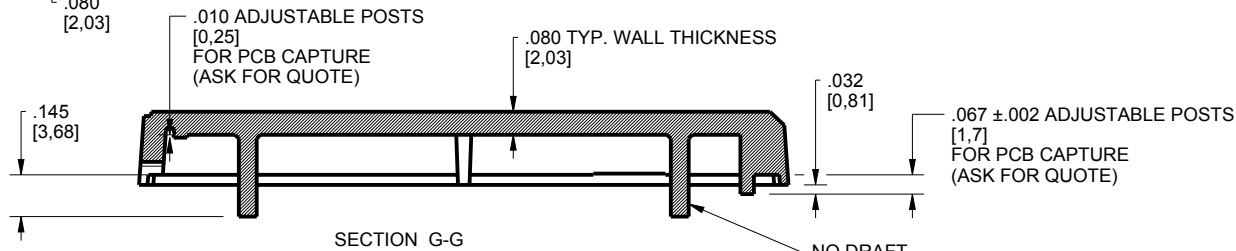
Y

.047 [1,19]

4.0° TYP.

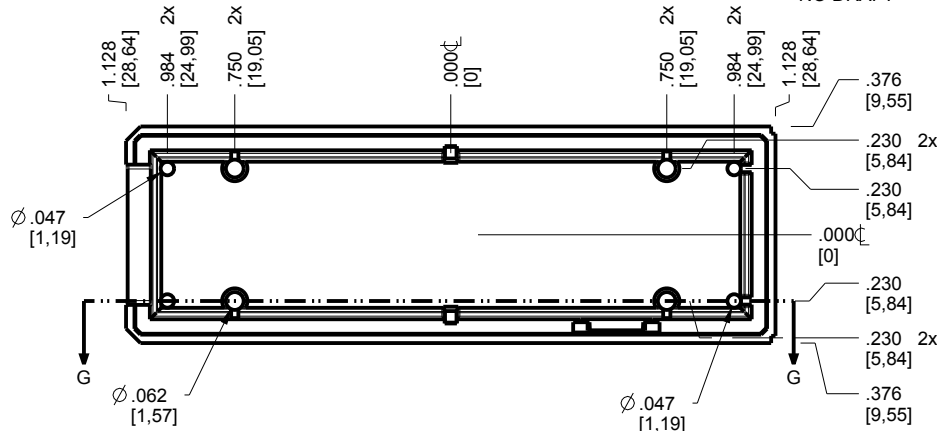
.035 [0,89]

SECTION Y-Y



SECTION G-G

NO DRAFT



TOLERANCES: UNLESS OTHERWISE SPECIFIED DIMENSIONS ARE IN U.S. INCHES.  
 X.XX = .015 X.XXXX = .001  
 X.XXX = .010 X.X° = 1°

NEW AGE ENCLOSURES

Customer's Part No: 220705

APPROVAL BY DATE

CHECK

ENG.

SCALE AS NOTED

DRAWN BY M BOYER 2010-Apr-21

**NEW AGE ENCLOSURES**

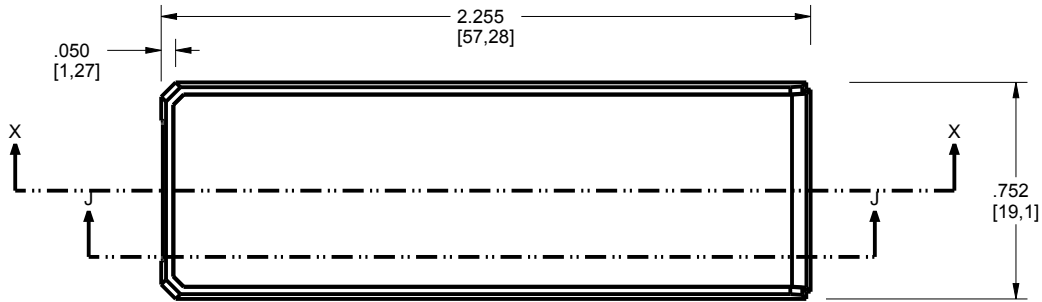
4330 Santa Fe Road San Luis Obispo, CA. 93401  
 ph. (805) 595-1310 fax (805) 595-1024  
[www.newageenclosures.com](http://www.newageenclosures.com)

**USB DONGLE - STANDARD**  
**PXX-220705X-XXX**

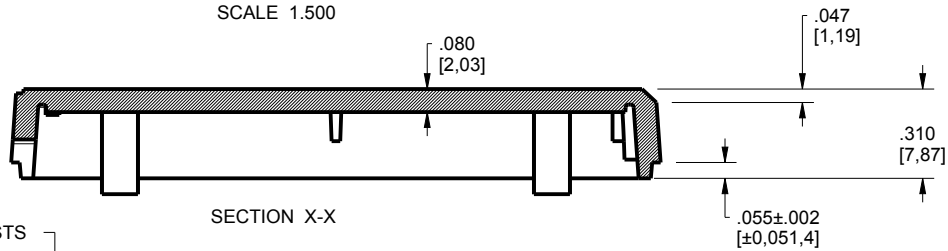
SIZE A DRAWING NAME 220705\_R4\_0

SHEET 3 OF 6 REV.DOC 4.0

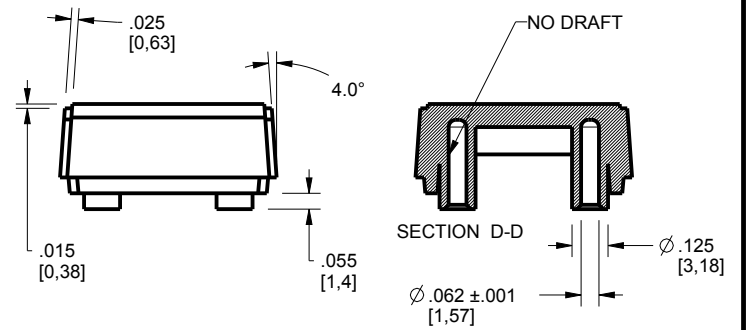
# 220705 BASE



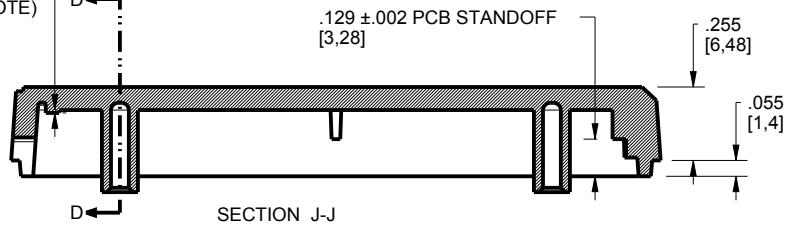
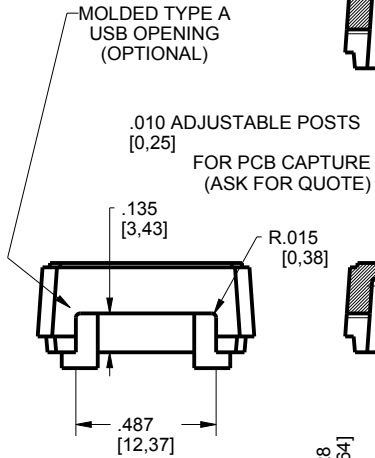
SCALE 1.500



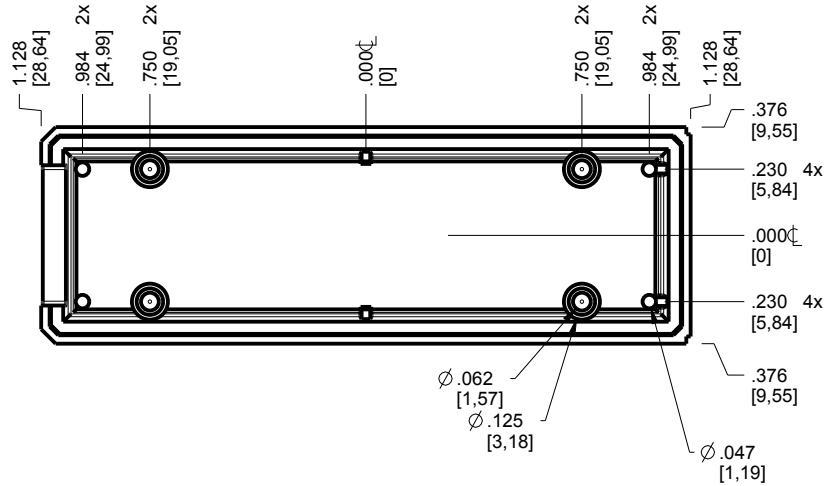
SECTION X-X



SECTION D-D  
 $\phi .125$  [3,18]  
 $\phi .062 \pm .001$  [1,57]



SECTION J-J



TOLERANCES: UNLESS OTHERWISE SPECIFIED DIMENSIONS ARE IN U.S. INCHES.  
 X.XX = .015 X.XXXX = .001  
 X.XXX = .010 X.X" = 1°

NEW AGE ENCLOSURES

Customer's Part No: 220705

APPROVAL BY DATE

CHECK

ENG.

SCALE AS NOTED

DRAWN BY M BOYER 2010-Apr-21

**NEW AGE ENCLOSURES**

4330 Santa Fe Road San Luis Obispo, CA. 93401  
 ph. (805) 595-1310 fax (805) 595-1024  
[www.newageenclosures.com](http://www.newageenclosures.com)

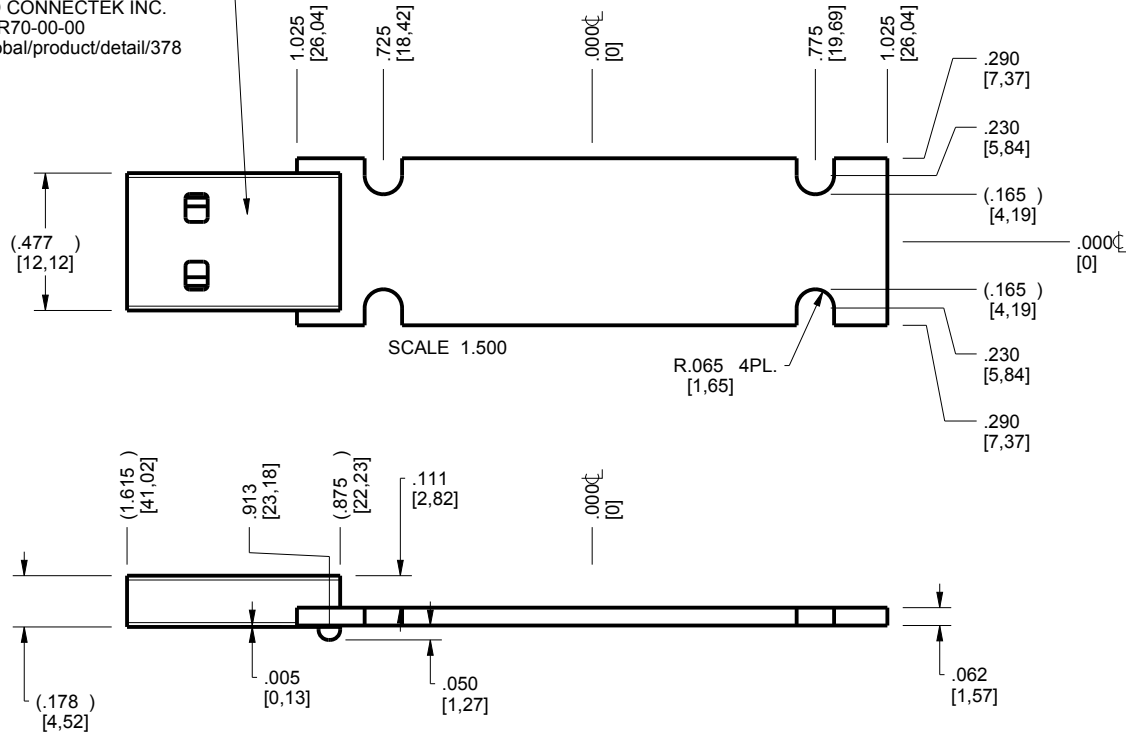
**USB DONGLE - STANDARD**  
**PXX-220705X-XXX**

SIZE A DRAWING NAME 220705\_R4\_0 SHEET 4 OF 6 REV.DOC 4.0

# 220705 PCB

CUSTOMER SUPPLIED  
 PCB SIZES ARE RECOMMENDATIONS ONLY. FINAL  
 SIZES AND VERIFICATION OF IT'S FIT ARE THE  
 SOLE RESPONSIBILITY OF THE OEM.

SUGGESTED TYPE A USB PLUG CONNECTOR  
 ACON, ADVANCED CONNEXTEK INC.  
 PN. C-UAR70-00-00  
[www.acon.com/en-global/product/detail/378](http://www.acon.com/en-global/product/detail/378)



TOLERANCES: UNLESS OTHERWISE SPECIFIED  
 DIMENSIONS ARE IN U.S. INCHES.  
 X.XX = .015 X.XXXX = .001  
 X.XXX = .010 X.X° = 1°

NEW AGE ENCLOSURES

Customer's Part No: 220705

APPROVAL	BY	DATE
CHECK		
ENG.		
SCALE	AS NOTED	

DRAWN BY  
 M BOYER 2010-Apr-21

**NEW AGE ENCLOSURES**

4330 Santa Fe Road San Luis Obispo, CA. 93401  
 ph. (805) 595-1310 fax (805) 595-1024  
[www.newageenclosures.com](http://www.newageenclosures.com)

USB DONGLE - STANDARD  
 PXX-220705X-XXX

SIZE A DRAWING NAME  
 220705\_R4\_0

SHEET 5 OF 6 REV.DOC 4.0

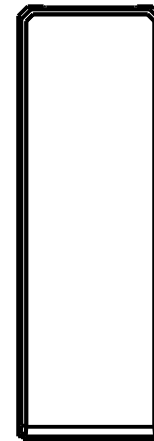
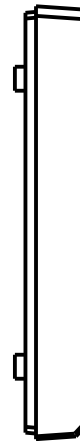
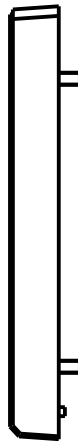
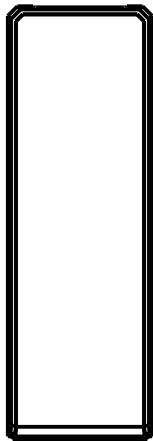
## 2nd OPERATION DETAILS

NEW AGE ENCLOSURES DELIVERS YOUR ENCLOSURE MARKET-READY<sup>®</sup> WITH IN-HOUSE  
CNC MACHINING, PAD PRINTING, ASSEMBLY, AND FULFILLMENT.  
ALL SURFACES AND AREAS ARE AVAILABLE FOR CNC ALTERATION BY NEW AGE ENCLOSURES  
CALL (805) 595-1310 FOR PRICING AND SCHEDULE.  
THE INSIDE RADIUS OF ANY MACHINED FEATURES SHOULD BE NO SMALLER THAN .031"

MOLDED USB  
OPENING

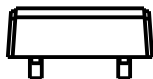


MOLDED USB  
OPENING



220705 COVER  
SCALE 1.000

220705 BASE  
SCALE 1.000



### PXX-220705X-XXX COVER - ABS, BLACK

STEP NO	DESCRIPTION	CUTTER	FIXTURE	ORIENTATION	PROGRAM
1-C-C2	-	T2 = .062" EM	229	COVER AND BASE	o1000
2-C-C2	-	T2 = .062" EM	229	COVER AND BASE	o1001

### PXX-220705X-XXX BASE - ABS, BLACK

STEP NO	DESCRIPTION	CUTTER	FIXTURE	ORIENTATION	PROGRAM
3-B-C1	-	T2 = .062" EM	229	COVER AND BASE	o1000
4-B-C2	-	T2 = .062" EM	229	COVER AND BASE	o1001

TOLERANCES: UNLESS OTHERWISE SPECIFIED  
DIMENSIONS ARE IN U.S. INCHES.

X.XX = .015 X.XXXX = .001  
X.XXX = .010 X.X° = 1°

NEW AGE ENCLOSURES

Customer's Part No: 220705

APPROVAL	BY	DATE
CHECK		
ENG.		
SCALE	AS NOTED	
DRAWN BY		
M BOYER		2010-Apr-21

## NEW AGE ENCLOSURES

4330 Santa Fe Road San Luis Obispo, CA. 93401  
ph. (805) 595-1310 fax (805) 595-1024  
[www.newageenclosures.com](http://www.newageenclosures.com)

### USB DONGLE - STANDARD PXX-220705X-XXX

SIZE	DRAWING NAME	SHEET	REV. DOC
A	220705_R4_0	6 OF 6	4.0