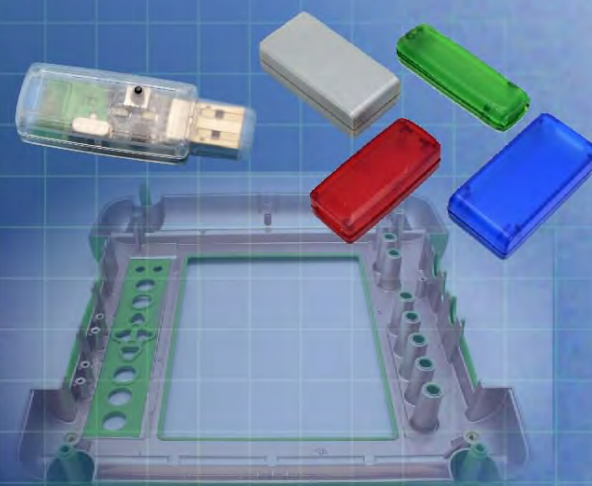


Ordering a market-ready enclosure® is made fast and affordable with our complete in-house capabilities. New Age provides machined openings to fit your PCB, pad printing for your graphics, custom enclosures, custom colors, final assembly, testing and fulfillment services to save you additional time and money. Ask your representative for a free quote today 805-595-1310.

Fast and Affordable Customization

**CNC Modifications
Pad Printing
Colored Resins
EMI/RF Shielding
Custom Enclosure
Assembly & Testing**



ISO quality
off-the-shelf
to market-ready®

NEW AGE ENCLOSURES

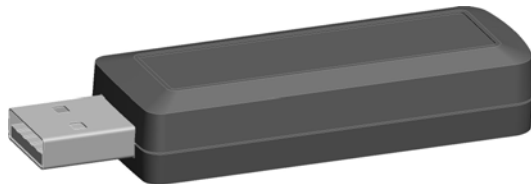
www.NewAgeEnclosures.com

4330 Santa Fe Road • San Luis Obispo, CA 93401 • T 805.595.1310 • F 805.595.1024

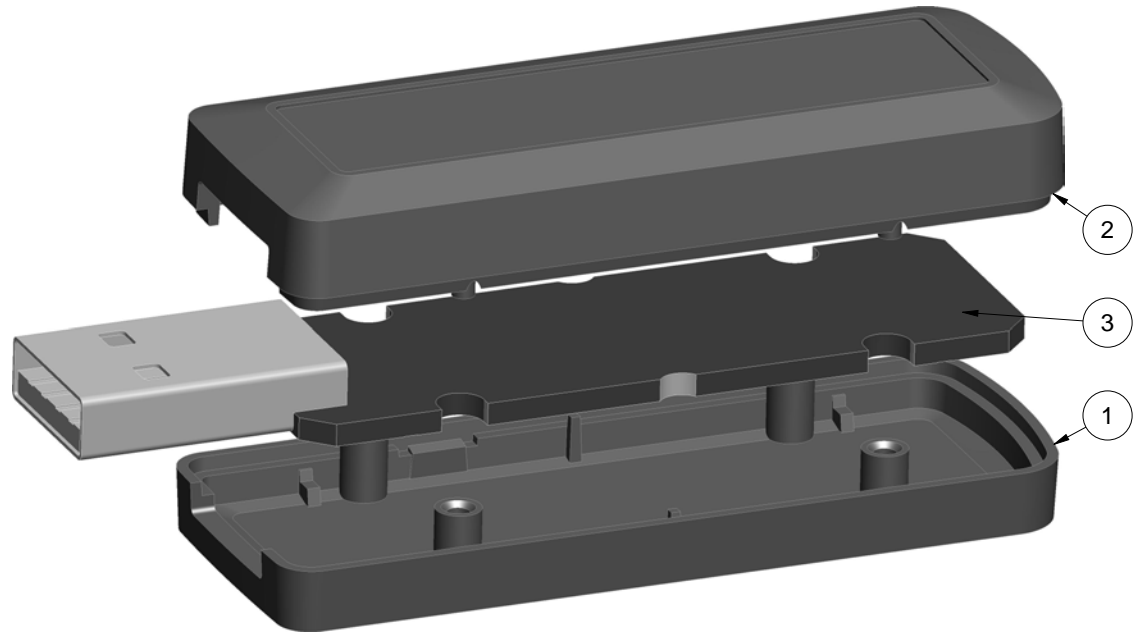
NOTES: UNLESS OTHERWISE SPECIFIED

- CORNERS DRAWN SHARP TO BE R.005 MAXIMUM.
- EXTERIOR SURFACE TEXTURE TO BE LIGHT EDM FINISH. EQUIVELANT TO MT-11020.
- INTERIOR SURFACE TEXTURE TO BE: NONE.
- ALL INSIDE RADII .010R. UNLESS OTHERWISE SPECIFIED.
- ALL EXTERNAL DIMENSIONS AFFECTED BY THE DRAFT APPLY AT THE LARGE END OF THE FEATURE, AND ALL INTERNAL FEATURES AFFECTED BY THE DRAFT APPLY AT THE SMALL END OF THE FEATURE UNLESS OTHERWISE SPECIFIED.
- 1 DEGREE DRAFT IN THE DIRECTION OF PULL IS PERMISSIBLE UNLESS OTHERWISE SPECIFIED.
- MATERIAL / COLOR: ABS PLASTIC IS STANDARD IN BLACK OR WHITE. CUSTOM MATERIALS AND COLORS ARE AVAILABLE UPON REQUEST FOR QUOTE.
- PCB SIZES ARE RECOMMENDATIONS ONLY. FINAL SIZES AND VERIFICATION OF IT'S FIT ARE THE SOLE RESPONSIBILITY OF EACH OWNER.
- THIS ENCLOSURE IS A PRESS FIT ASSEMBLY. FOR PERMANENT CLOSURE: A DROP OF ADHESIVE OR ULTRASONIC WELDING IS REQUIRED.
- THIS DRAWING IS BASED ON A SOLID MODEL, AND IS FURTHER DEFINED BY THE SOLID MODEL FILE.
- ALLOWABLE FLASH: 0.010 MAX.
- ALL EJECTOR PIN MARKS TO BE WITHIN 0.010" OF FLUSH, PROTRUDING OR BELOW FLUSH.

220805(x) CONFIGURATIONS		
	-S	-U
220805 COVER	1	
220805 COVER w/ USB OPENING		1
220805 BASE	1	
220805 BASE w/ USB OPENING		1



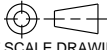
SCALE 1.000



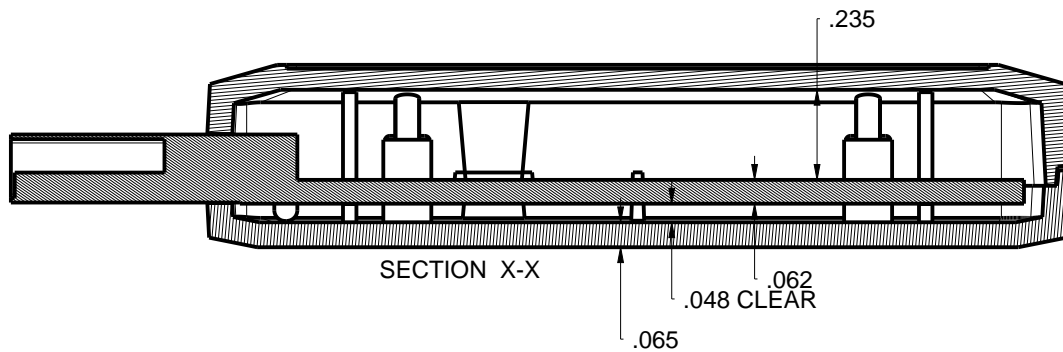
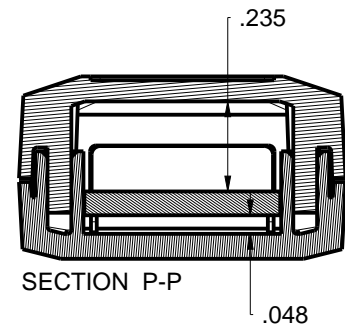
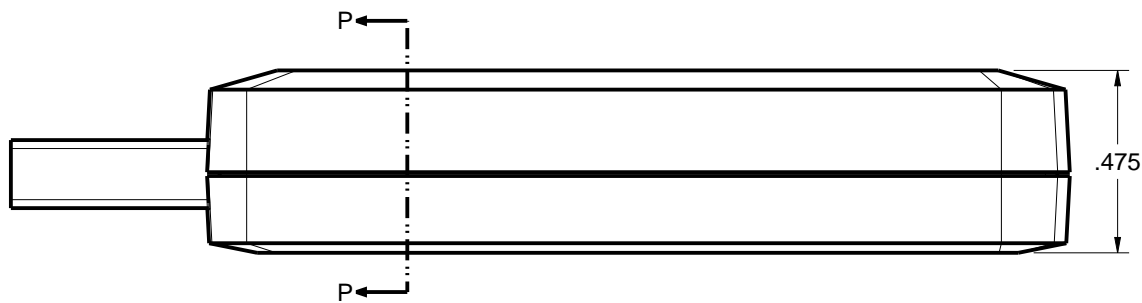
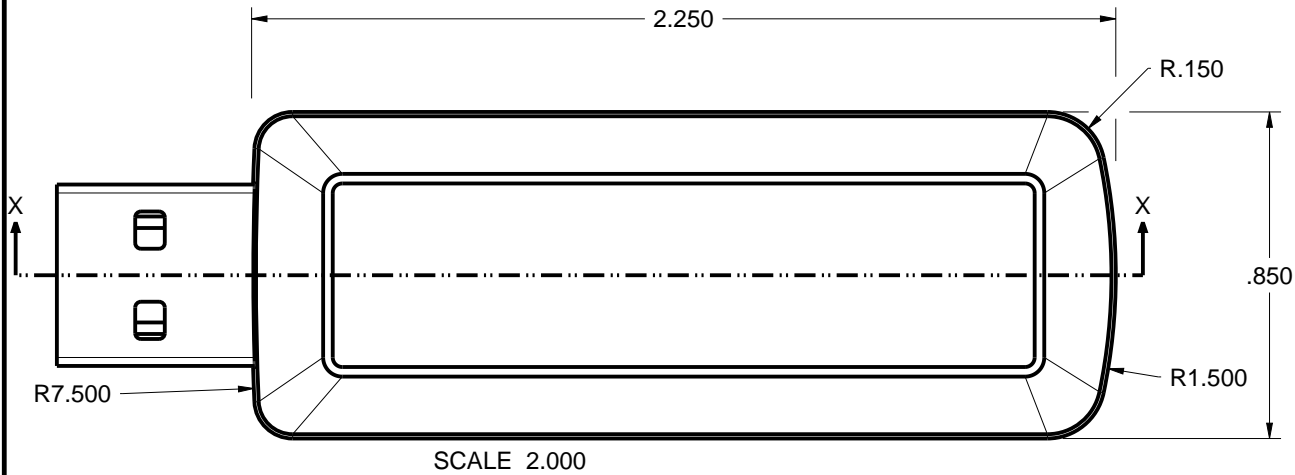
SCALE 2.000

R E V I S I O N					
REV.	DRAWN BY	ECO No	DESCRIPTION	DATE	APPROVE
A	M BOYER		PRELIMINARY RELEASE	2013-Nov-08	D.C.
B	R CRUZ		RENAME ENCLOSURE	2013-Nov-19	D.C.
C	R CRUZ		UPDATE NOTES	2014-Jan-20	D.C.
D	M BOYER		REVISE STANDOFFS	2016-Feb-18	D.C.
E	M BOYER		REVISE DRAWING	2016-Feb-18	D.C.
F	R CRUZ		ADD USB CUTOUT DIMENSIONS	2016-Jul-26	D.C.
G	M BOYER		UPDATE TEXTURE AND USB INFO	2016-Aug-02	D.C.
1.0	R CRUZ	0701	UPDATE TO AS BUILT AND RELEASE	2016-Aug-16	

ITEM	FILE NAME	DESCRIPTION	MATERIAL	COLOR	QTY.
3	220805_PCB	220805 PCB - REFERENCE	.062" THICK	CUSTOMER SUPPLIED	1
2	220805_COVER	220805U COVER - STANDARD	ABS	BLACK or WHITE	1
1	220805_BASE	220805U BASE - STANDARD	ABS	BLACK or WHITE	1
BILL OF MATERIALS					

THIRD ANGLE PROJECTION  DO NOT SCALE DRAWING	TOLERANCES: UNLESS OTHERWISE SPECIFIED DIMENSIONS ARE IN U.S. INCHES. X.XX = .015 X.XXXX = .001 X.XXX = .010 X.X" = 1°		NEW AGE ENCLOSURES 4330 Santa Fe Road San Luis Obispo, CA. 93401 ph. (805) 595-1310 fax (805) 595-1024 www.newageenclosures.com	
	NEW AGE ENCLOSURES Customer's Part No: 220805			
APPROVAL BY DATE CHECK _____ ENG. _____ SCALE AS NOTED		DRAWN BY M BOYER DATE 2013-Nov-08		SIZE A DRAWING NAME 220805_R1_0 SHEET 1 OF 6 REV.DOC 1.0

220805 ASSEMBLY



TOLERANCES: UNLESS OTHERWISE SPECIFIED
DIMENSIONS ARE IN U.S. INCHES.
X.XX = .015 X.XXXX = .001
X.XXX = .010 X.X° = 1°

Customer's Part No: 220805

APPROVAL BY DATE

CHECK

ENG.

SCALE AS NOTED

DRAWN BY M BOYER 2013-Nov-08

NEW AGE ENCLOSURES

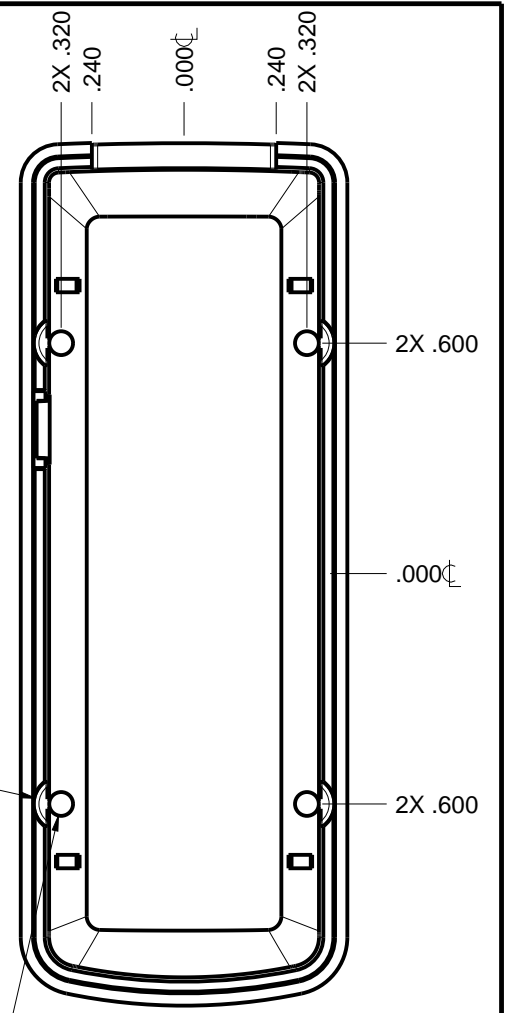
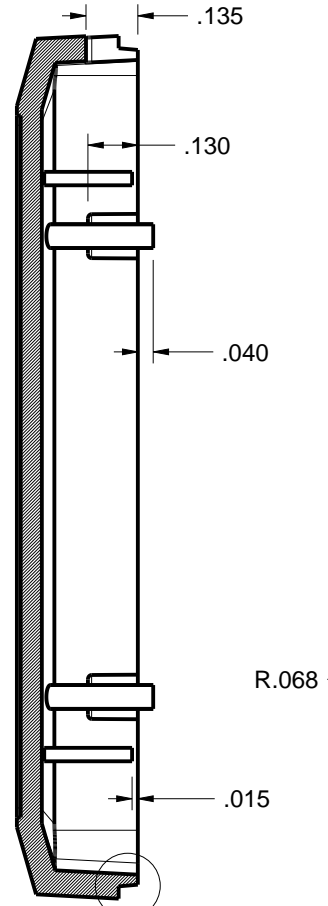
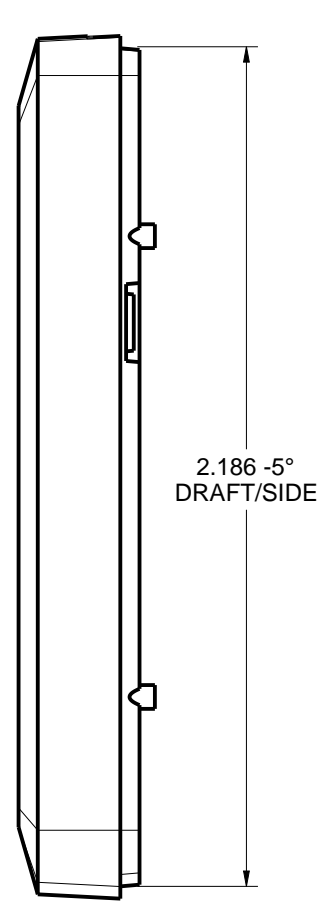
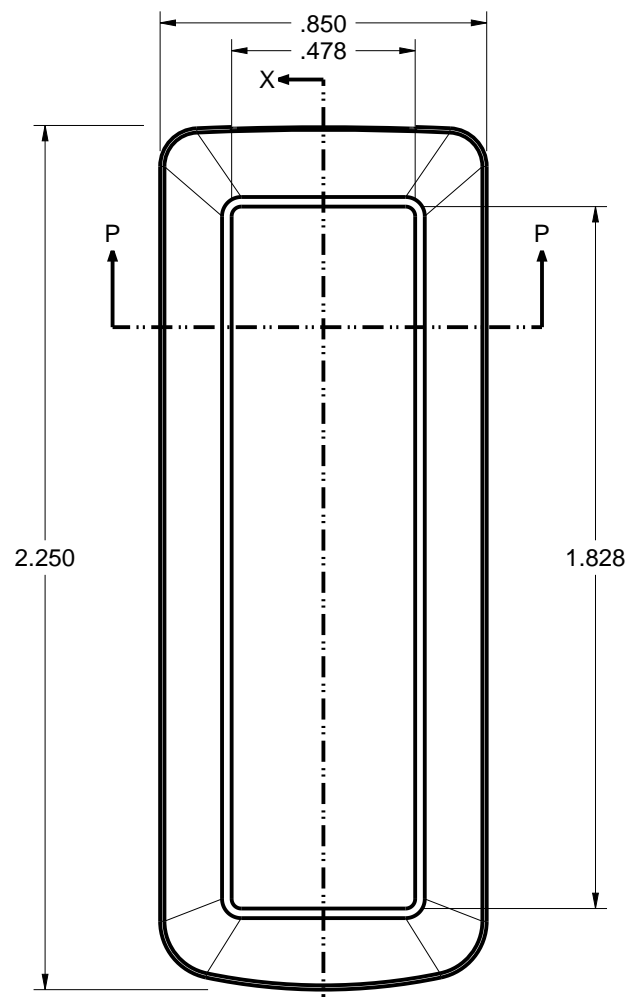
4330 Santa Fe Road San Luis Obispo, CA. 93401
ph. (805) 595-1310 fax (805) 595-1024
www.newageenclosures.com

STANDARD - USB ADAPTER
PXX-220805X-XXX

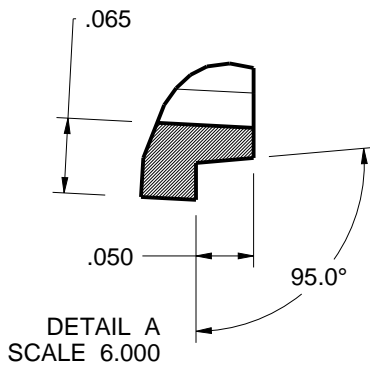
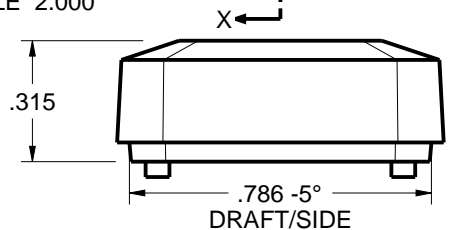
SIZE A DRAWING NAME 220805_R1_0

SHEET 2 OF 6 REV.DOC 1.0

220805 COVER



SCALE 2.000



SECTION X-X
SEE DETAIL A

$\varnothing .062^{+.001}_{-.001}$
PRESS FIT
4 PLACES

TOLERANCES: UNLESS OTHERWISE SPECIFIED DIMENSIONS ARE IN U.S. INCHES.	
X.XX = .015 X.XXXX = .001	
X.XXX = .010 X.X° = 1°	
NEW AGE ENCLOSURES	
Customer's Part No: 220805	
APPROVAL	BY DATE
CHECK	
ENG.	
SCALE	AS NOTED
DRAWN BY	2013-Nov-08
M BOYER	

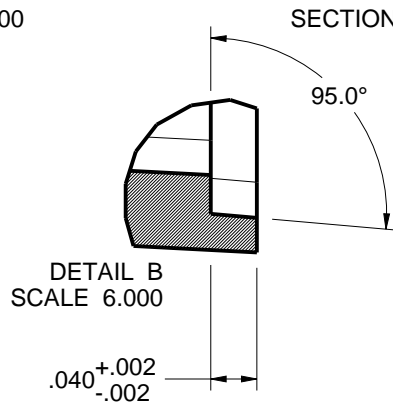
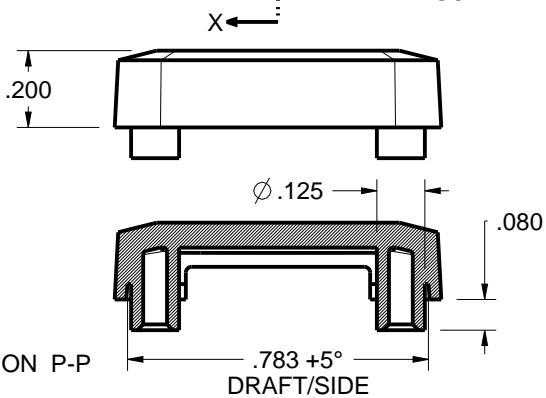
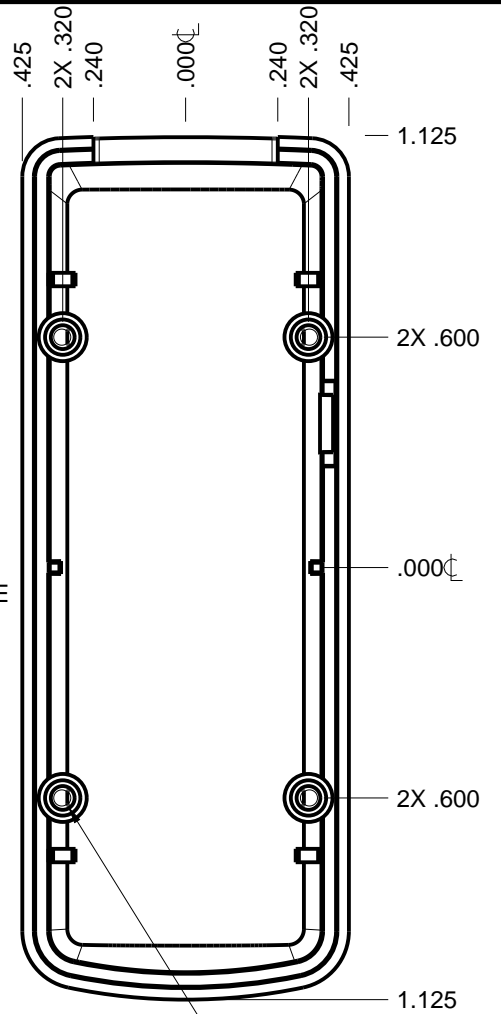
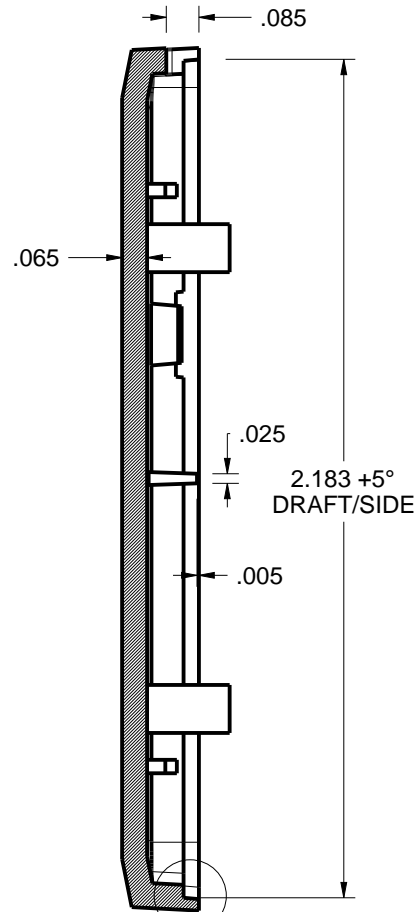
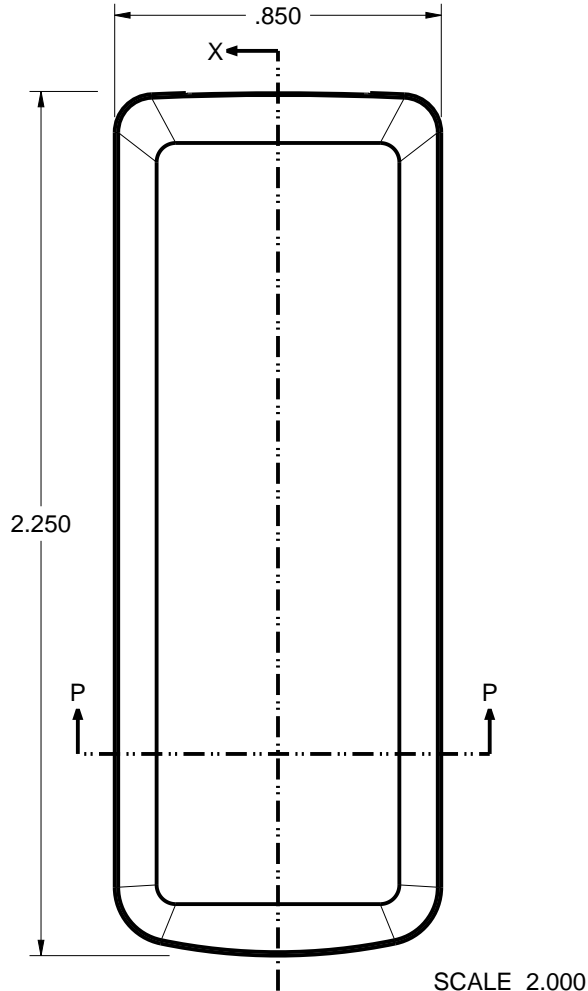
NEW AGE ENCLOSURES
 4330 Santa Fe Road San Luis Obispo, CA. 93401
 ph. (805) 595-1310 fax (805) 595-1024
www.newageenclosures.com

STANDARD - USB ADAPTER		PXX-220805X-XXX	
SIZE	DRAWING NAME	SHEET	REV.DOC
A	220805_R1_0	3 OF 6	1.0

SECTION P-P

DETAIL A
SCALE 6.000

220805 BASE



Ø.062^{+.001}_{-.001}
PRESS FIT
4 PLACES

TOLERANCES: UNLESS OTHERWISE SPECIFIED DIMENSIONS ARE IN U.S. INCHES.	
X.XX = .015 X.XXXX = .001	
X.XXX = .010 X.X° = 1°	
NEW AGE ENCLOSURES	
Customer's Part No: 220805	
APPROVAL	BY DATE
CHECK	
ENG.	
SCALE	AS NOTED
DRAWN BY	2013-Nov-08
M BOYER	

NEW AGE ENCLOSURES	
4330 Santa Fe Road San Luis Obispo, CA. 93401	
ph. (805) 595-1310 fax (805) 595-1024	
www.newageenclosures.com	
STANDARD - USB ADAPTER	
PXX-220805X-XXX	
SIZE	DRAWING NAME
A	220805_R1_0
SHEET	REV.DOC
4 OF 6	1.0

SUGGESTED TYPE A USB PLUG CONNECTOR
 ACON, ADVANCED CONNECTEK INC.
 PN. C-UAR70-00-00
 www.acon.com/en-global/product/detail/378

220805 PCB - CUSTOMER SUPPLIED

PCB SIZES ARE RECOMMENDATIONS ONLY. FINAL
 SIZES AND VERIFICATION OF ITS FIT ARE THE
 SOLE RESPONSIBILITY OF THE OEM.

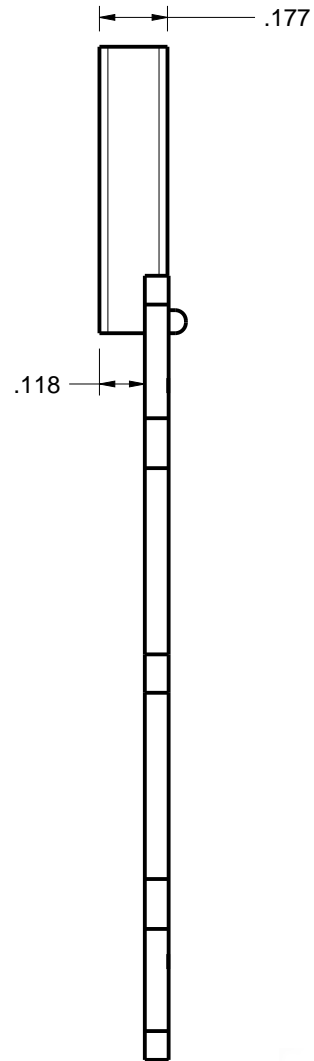
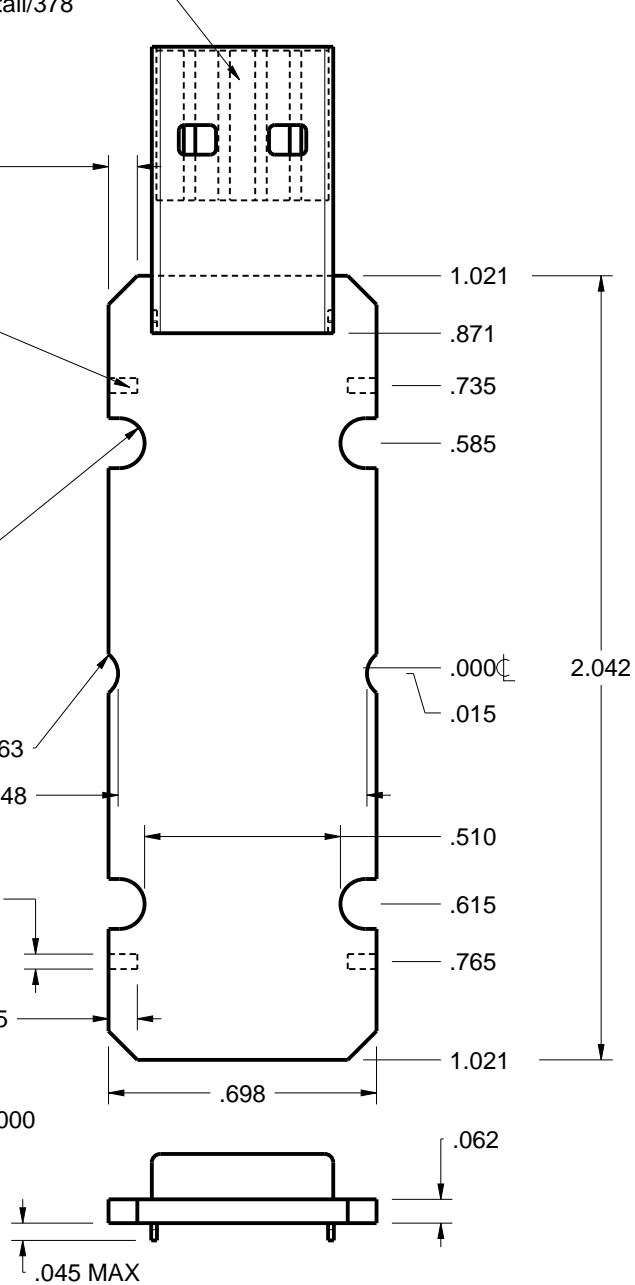
CHAMFER .075 x 45°
 4 PLACES

KEEP OUT ZONES
 4 PLACES

4X R.065

2X R.063

SCALE 2.000



TOLERANCES: UNLESS OTHERWISE SPECIFIED DIMENSIONS ARE IN U.S. INCHES.	
X.XX = .015	X.XXXX = .001
X.XXX = .010	X.X° = 1°
NEW AGE ENCLOSURES	
Customer's Part No: 220805	
APPROVAL	BY DATE
CHECK	
ENG.	
SCALE	AS NOTED
DRAWN BY	2013-Nov-08
M BOYER	

NEW AGE ENCLOSURES
 4330 Santa Fe Road San Luis Obispo, CA. 93401
 ph. (805) 595-1310 fax (805) 595-1024
 www.newageenclosures.com

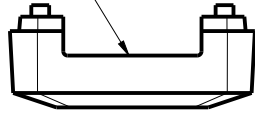
STANDARD - USB ADAPTER
PXX-220805X-XXX

SIZE	DRAWING NAME	SHEET	REV.DOC
A	220805_R1_0	5 OF 6	1.0

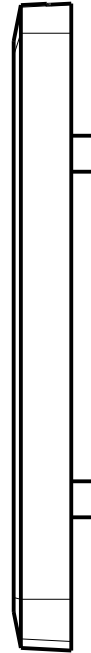
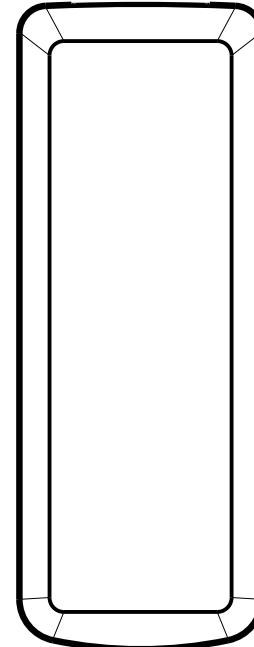
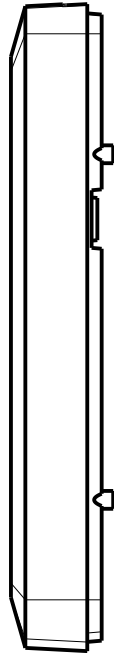
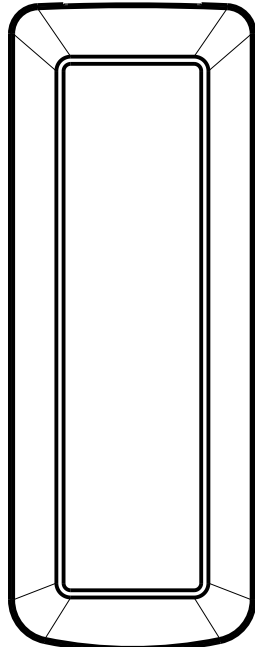
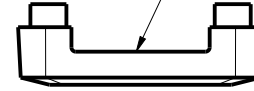
220805 - 2nd OPERATIONS

NEW AGE ENCLOSURES DELIVERS YOUR ENCLOSURE MARKET-READY WITH IN-HOUSE CNC MACHINING, PAD PRINTING, ASSEMBLY, AND FULFILLMENT. ALL SURFACES AND AREAS ARE AVAILABLE FOR CNC ALTERATION BY NEW AGE ENCLOSURES CALL (805) 595-1310 FOR PRICING AND SCHEDULE. THE INSIDE RADIUS OF ANY MACHINED FEATURES SHOULD BE NO SMALLER THAN .031"

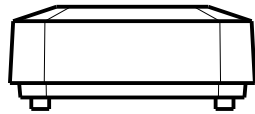
MOLDED USB OPENING



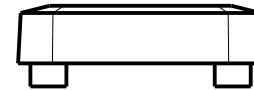
MOLDED USB OPENING



220805 COVER
SCALE 1.500



220805 BASE
SCALE 1.500



PXX-220805X-XXX COVER - ABS, BLACK

STEP NO	DESCRIPTION	CUTTER	FIXTURE	ORIENTATION	PROGRAM
1-C-C1	5 VENT SLOTS ON SIDE	T2 = .062" EM	-	SINGLE	-

PXX-220805X-XXX COVER - ABS, BLACK

STEP NO	DESCRIPTION	INK COLOR	CLICHE DESCRIPTION	CLICHE No.
2-C-P1	PAD PRINT			CL1010

TOLERANCES: UNLESS OTHERWISE SPECIFIED DIMENSIONS ARE IN U.S. INCHES.
X.XX = .015 X.XXXX = .001
X.XXX = .010 X.X° = 1°

NEW AGE ENCLOSURES
Customer's Part No: 220805

APPROVAL	BY	DATE
CHECK		
ENG.		
SCALE	AS NOTED	

DRAWN BY	2013-Nov-08
M BOYER	

NEW AGE ENCLOSURES

4330 Santa Fe Road San Luis Obispo, CA. 93401
ph. (805) 595-1310 fax (805) 595-1024
www.newageenclosures.com

STANDARD - USB ADAPTER
PXX-220805X-XXX

SIZE	DRAWING NAME	SHEET	REV.DOC
A	220805_R1_0	6 OF 6	1.0