



From Off-The-Shelf to Market-Ready© New Age Enclosures is your Single Source Solution.
Let us quote modifying our Stock Enclosures to meet your end-use.
visit newageenclosures.com/services or call 855-4NA-ENCL today.

CNC CUTOUTS
PART DECORATING
CUSTOM COLOR AND MATERIAL
RF/EMI SHIELDING
CUSTOM TOOL INSERTS
CUSTOM ENCLOSURES AND DESIGN



NEW AGE
ENCLOSURES

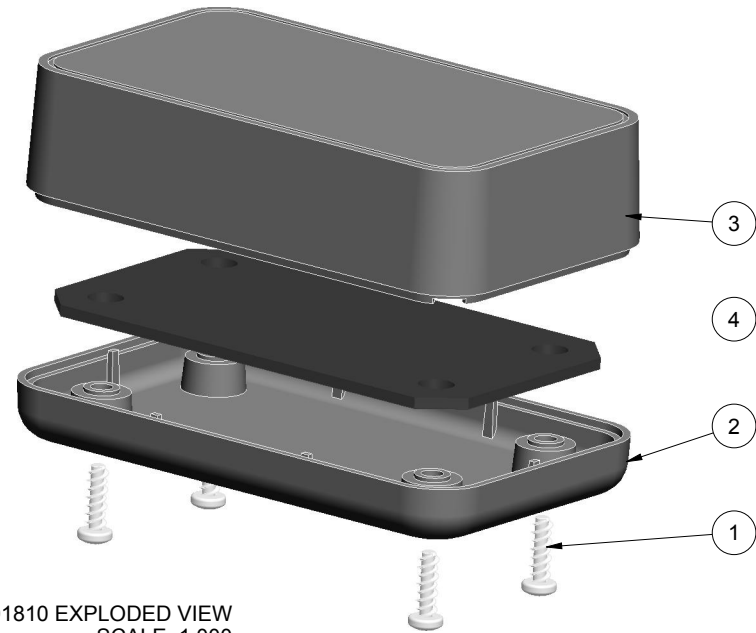
DEVELOP THE FUTURE



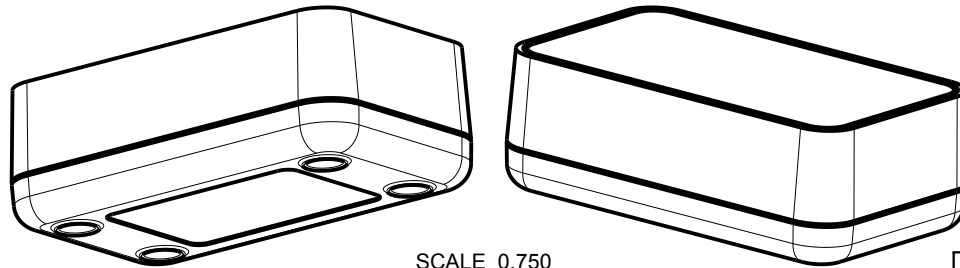
NOTES: UNLESS OTHERWISE SPECIFIED

1. CORNERS DRAWN SHARP TO BE R.005 MAXIMUM.
2. EXTERIOR SURFACE TEXTURE TO BE LIGHT EDM FINISH. EQUIVALENT TO MT-11010.
3. INTERIOR SURFACE TEXTURE TO BE: NONE.
4. ALL INSIDE RADII .010R. UNLESS OTHERWISE SPECIFIED.
5. ALL EXTERNAL DIMENSIONS AFFECTED BY THE DRAFT APPLY AT THE LARGE END OF THE FEATURE, AND ALL INTERNAL FEATURES AFFECTED BY THE DRAFT APPLY AT THE SMALL END OF THE FEATURE UNLESS OTHERWISE SPECIFIED.
6. 1 DEGREE DRAFT IN THE DIRECTION OF PULL IS PERMISSIBLE UNLESS OTHERWISE SPECIFIED.
7. MATERIAL / COLOR: ABS PLASTIC IS STANDARD IN BLACK OR WHITE. CUSTOM MATERIALS AND COLORS ARE AVAILABLE UPON REQUEST FOR QUOTE. ALTERNATE RESINS HAVE DIFFERENT SHRINK RATES, AND WILL EFFECT DIMENSIONS.
8. PCB SIZES ARE RECOMMENDATIONS ONLY. FINAL SIZES AND VERIFICATION OF ITS FIT ARE THE SOLE RESPONSIBILITY OF EACH CUSTOMER.
9. ASSEMBLY SCREWS FOR THE ENCLOSURE INCLUDED.
10. THIS DRAWING IS BASED ON A SOLID MODEL, AND IS FURTHER DEFINED BY THE SOLID MODEL FILE.
11. ALLOWABLE FLASH: 0.015 MAX.
12. ALL EJECTOR PIN MARKS TO BE WITHIN 0.015" OF FLUSH, PROTRUDING OR BELOW FLUSH.
13. TRIM GATE WITHIN 0.030" OF FLUSH.

R E V I S I O N					
REV.	DRAWN BY	ECO No	DESCRIPTION	DATE	APPROVE
A	R. CRUZ		PRELIMINARY RELEASE	2016-Jul-07	D.C.
B	R. CRUZ		UPDATE NOTE 2, CASE SIZE, PRODUCT NAME, RECESS	2016-Jul-14	D.C.
C	M. BOYER		UPDATE DIMENSIONS	2016-Sep-08	D.C.
D	R. CRUZ		UPDATE NOTE 2, ENCLOSURE NAME, PCB SHAPE	2016-Oct-06	D.C.
E	R. CRUZ		ADD RIBS ON BASE, REVISE PCB SHAPE AND ADD NOTE	2016-Nov-30	D.C.
1.0	M. BOYER		RELEASED TO MFG PER CUSTOMER	2017-Feb-15	D.C.
2.0	R. CRUZ	03019	UPDATE TO AS-BUILT	2019-Nov-13	



301810 EXPLODED VIEW
SCALE 1.000



SCALE 0.750

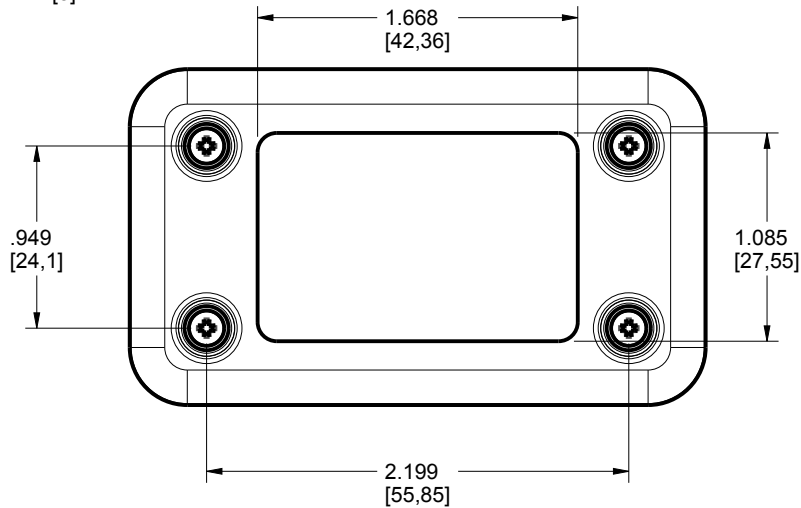
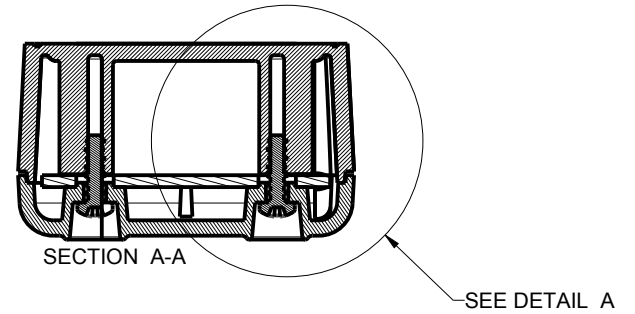
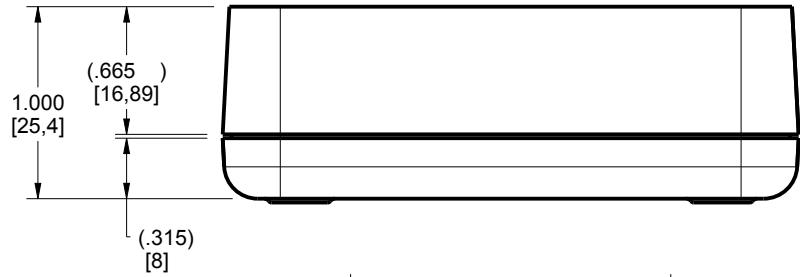
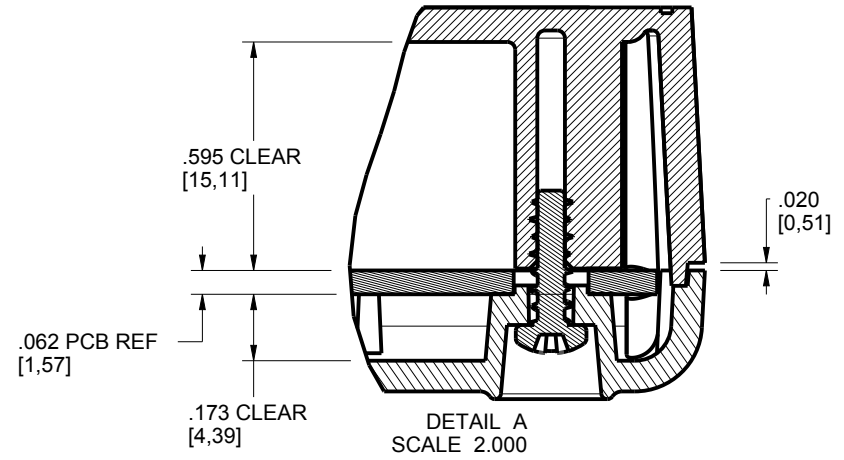
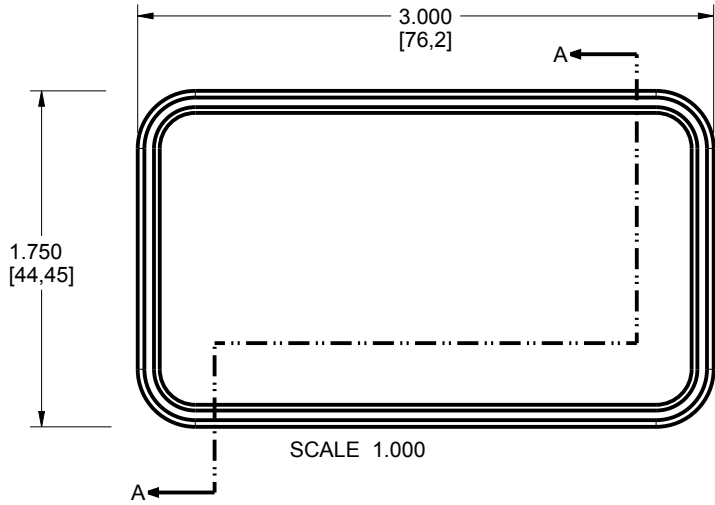
ITEM	FILE NAME	DESCRIPTION	MATERIAL	COLOR	QTY.
4	301810_PCB_062	301810 PCB - REFERENCE	.062" THICK	CUSTOMER SUPPLIED	1
3	301810_COVER	301810 COVER - STANDARD	ABS	BLACK or WHITE	1
2	301810_BASE	301810 BASE - STANDARD	ABS	BLACK or WHITE	1
1	SCREW_HILO-N04X375	#4 HILO x .375" SCREW	ZINC PLATED	3/8" LONG	4

BILL OF MATERIALS

THIRD ANGLE PROJECTION DO NOT SCALE DRAWING	TOLERANCES: UNLESS OTHERWISE SPECIFIED DIMENSIONS ARE IN U.S. INCHES. X.XX = .015 X.XXXX = .001 X.XXX = .010 X.X" = 1°		NEW AGE ENCLOSURES 2240 South Thornburg Street Santa Maria, CA. 93455 ph. (805) 595-1310 fax (805) 595-1024 www.newageenclosures.com	
	NEW AGE ENCLOSURES Customer's Part No: 301810			
APPROVAL BY DATE CHECK _____ ENG. _____ SCALE AS NOTED		MULTI PORT BAR - STANDARD SXX-301810-XXX		SHEET 1 OF 6 REV.DOC 2.0
DRAWN BY R. CRUZ DATE 2016-Jul-07		SIZE A DRAWING NAME 301810_R2_0		

NOTICE: THE INFORMATION AND DATA CONTAINED HEREIN IS CONSIDERED PROPRIETARY TO ALLTEC INTEGRATED MFG INC & SHALL REMAIN THE EXCLUSIVE PROPERTY OF ALLTEC INTEGRATED MFG INC. THE HOLDER WILL ASSUME CUSTODY AND CONTROL THAT THIS DOCUMENT WILL NOT BE COPIED, REPRODUCED, OR POSSESSED WITHOUT THE EXPRESS WRITTEN CONSENT OF ALLTEC INTEGRATED MFG INC. NOT CONSTITUTE A GRANT TO MANUFACTURE ANY ITEMS.
© 2019

301810 ASSEMBLY



TOLERANCES: UNLESS OTHERWISE SPECIFIED
DIMENSIONS ARE IN U.S. INCHES.
X.XX = .015 X.XXXX = .001
X.XXX = .010 X.X' = 1°

NEW AGE ENCLOSURES
2240 South Thornburg Street Santa Maria, CA. 93455
ph. (805) 595-1310 fax (805) 595-1024

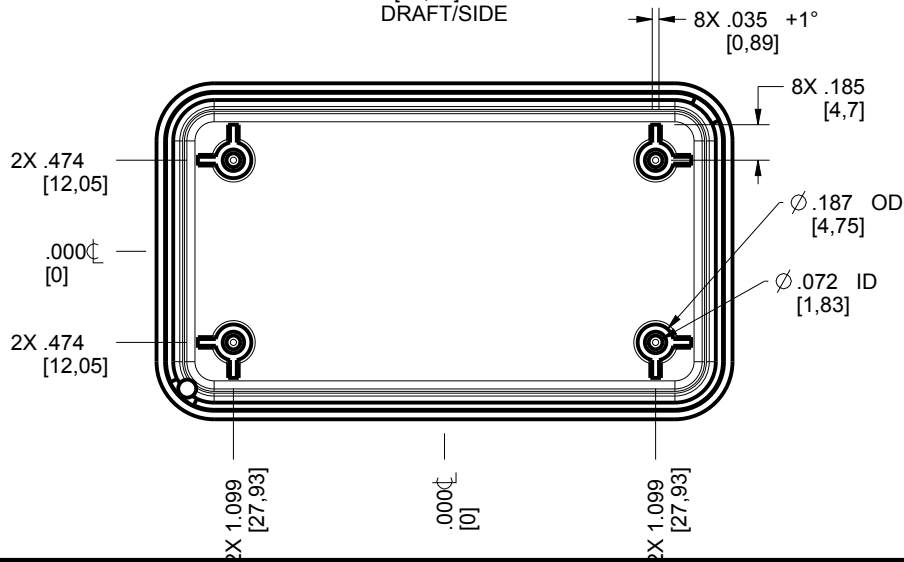
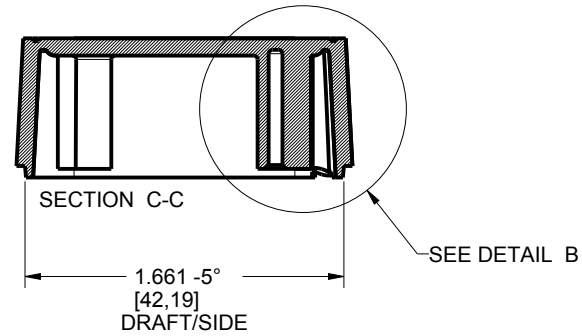
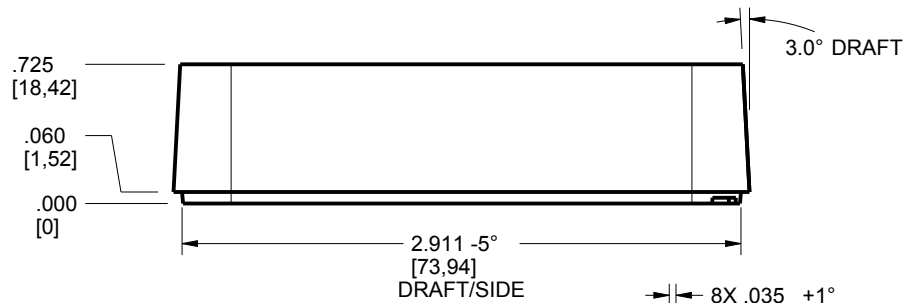
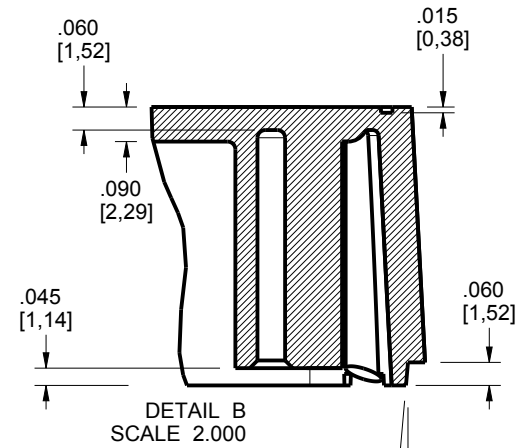
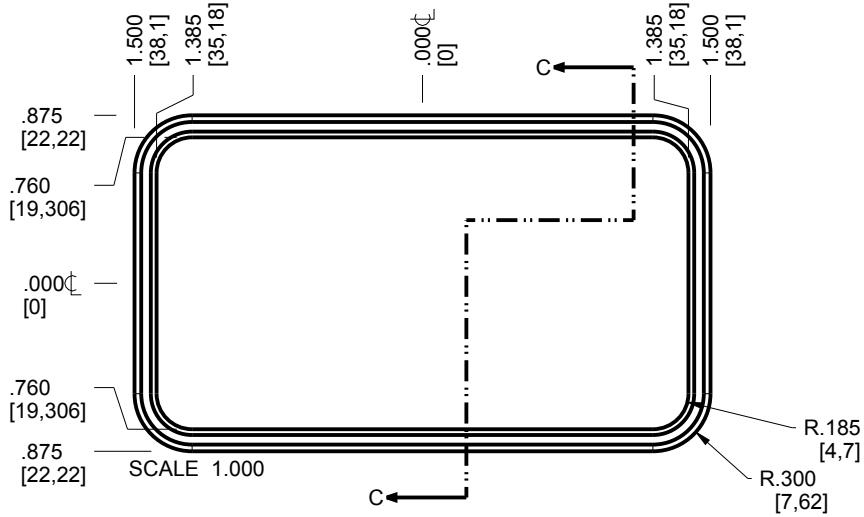
Customer's Part No: 301810
www.newageenclosures.com

APPROVAL	BY	DATE
CHECK		
ENG.		
SCALE	AS NOTED	
DRAWN BY	2016-Jul-07	
R. CRUZ		

MULTI PORT BAR - STANDARD
SXX-301810-XXX

SIZE	DRAWING NAME	SHEET	REV.DOC
A	301810_R2_0	2 OF 6	2.0

301810 COVER



TOLERANCES: UNLESS OTHERWISE SPECIFIED
DIMENSIONS ARE IN U.S. INCHES.
X.XX = .015 X.XXXX = .001
X.XXX = .010 X.X° = 1°

NEW AGE ENCLOSURES

Customer's Part No: 301810

APPROVAL BY DATE

CHECK

ENG.

SCALE AS NOTED

DRAWN BY R. CRUZ

2016-Jul-07

NEW AGE ENCLOSURES

2240 South Thornburg Street Santa Maria, CA. 93455

ph. (805) 595-1310 fax (805) 595-1024

www.newageenclosures.com

**MULTI PORT BAR - STANDARD
SXX-301810-XXX**

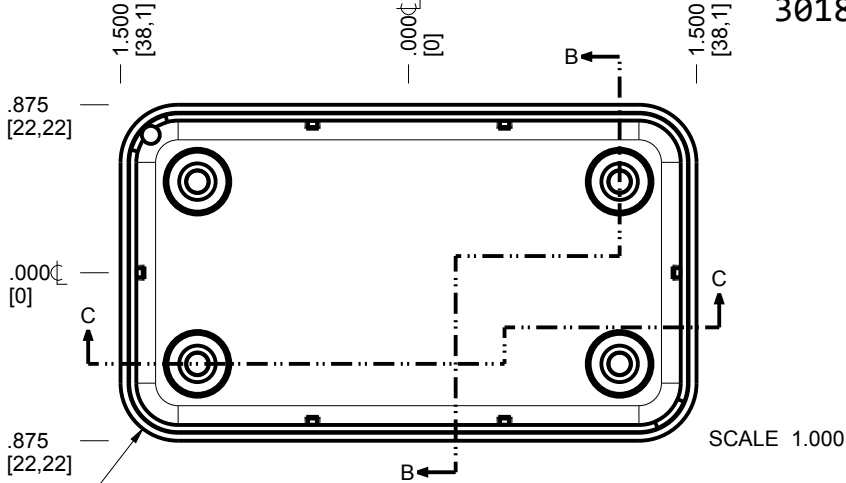
SIZE A

DRAWING NAME 301810_R2_0

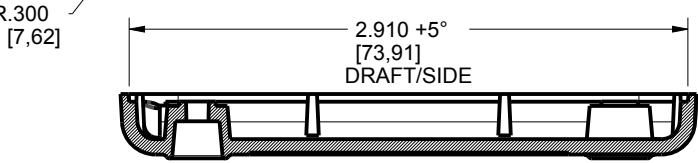
SHEET 3 OF 6

REV.DOC 2.0

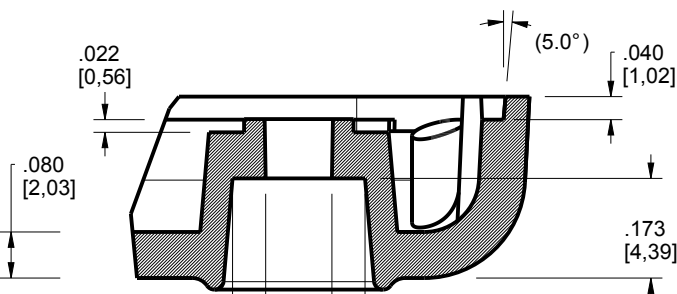
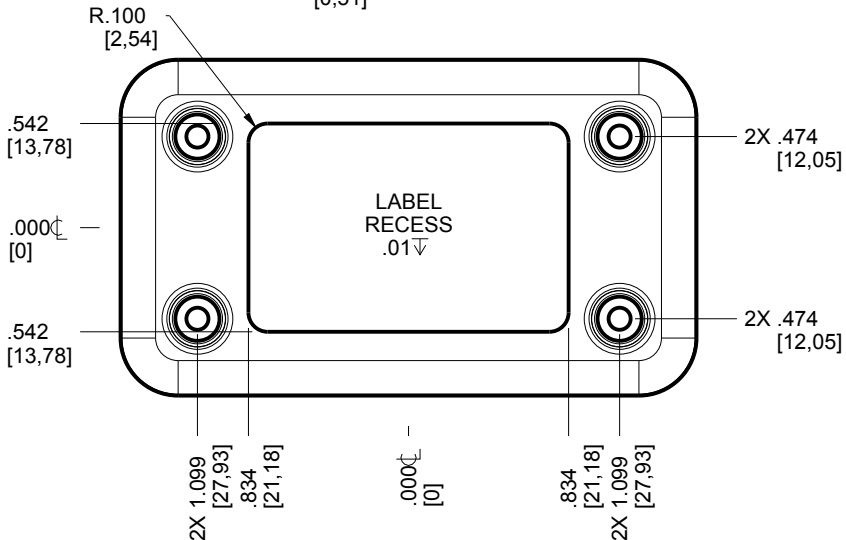
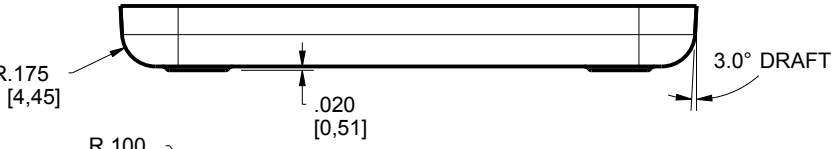
301810 BASE



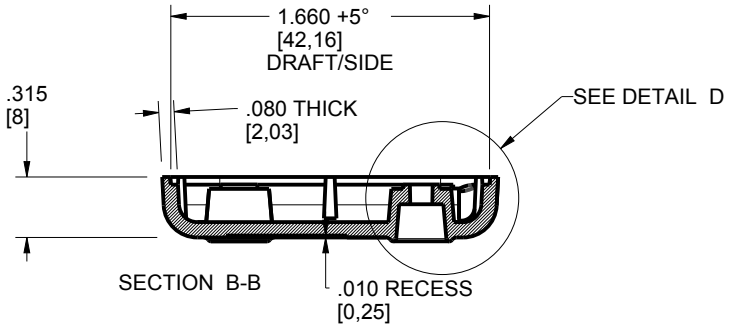
SCALE 1.000



SECTION C-C



DETAIL D
SCALE 3.000



SECTION B-B

TOLERANCES - UNLESS OTHERWISE SPECIFIED DIMENSIONS ARE IN U.S. INCHES.
 X.XX = .015 X.XXXX = .001
 X.XXX = .010 X.X° = 1°

Customer's Part No: 301810

APPROVAL	BY	DATE
CHECK		
ENG.		
SCALE	AS NOTED	
DRAWN BY	R. CRUZ	
	2016-Jul-07	

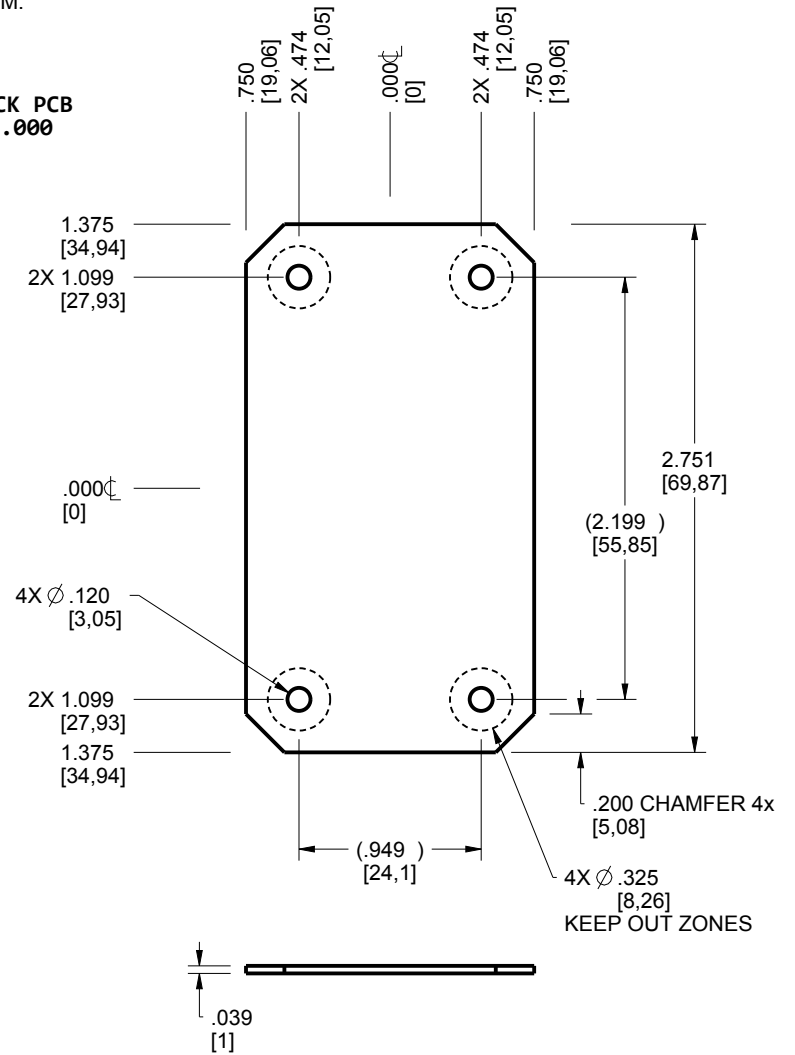
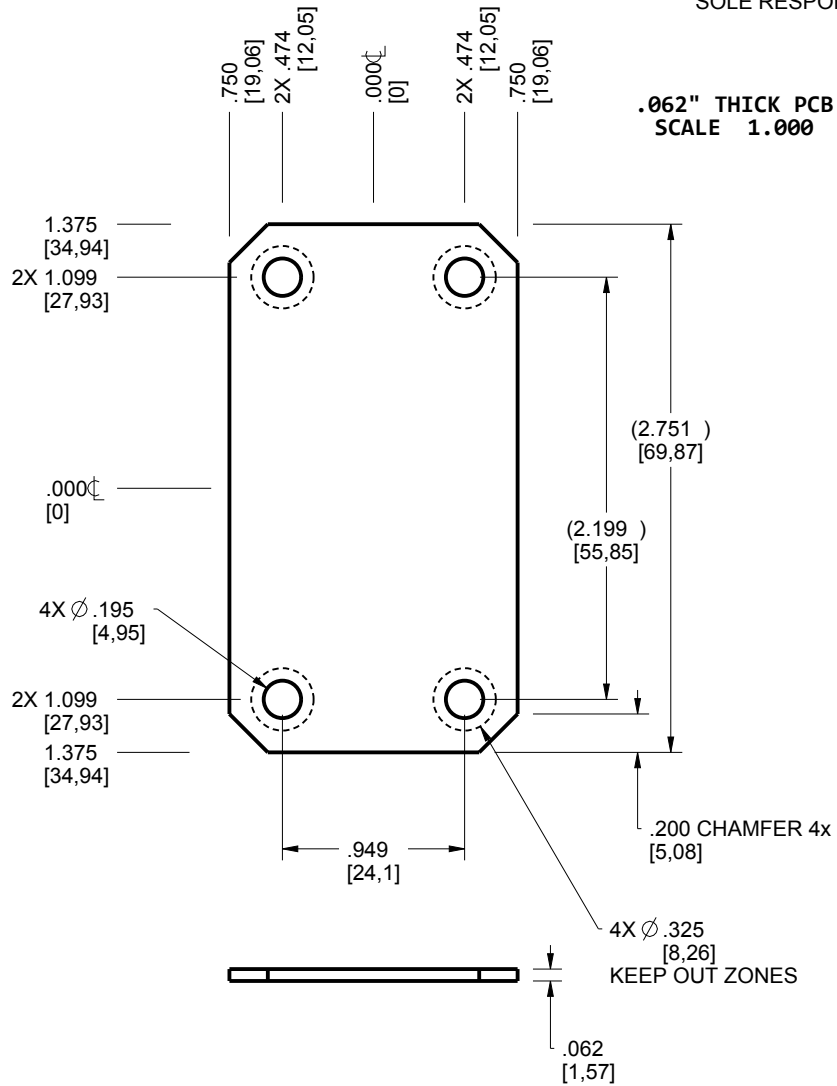
NEW AGE ENCLOSURES
 2240 South Thornburg Street Santa Maria, CA. 93455
 ph. (805) 595-1310 fax (805) 595-1024
www.newageenclosures.com

MULTI PORT BAR - STANDARD
 SXX-301810-XXX

SIZE	DRAWING NAME	SHEET	REV.DOC
A	301810_R2_0	4 OF 6	2.0

301810 PCB - CUSTOMER SUPPLIED

PCB SIZES ARE RECOMMENDATIONS ONLY. FINAL SIZES AND VERIFICATION OF ITS FIT ARE THE SOLE RESPONSIBILITY OF THE OEM.



NOTE: ENCLOSURE WILL ACCOMMODATE EITHER A .039" PCB OR A .062" PCB, NOT BOTH. BOARDS SHOWN ARE MAXIMUM ENVELOPE DIMENSIONS THIS ENCLOSURE CAN HOUSE. BOARD SIZE AND SHAPE ARE UP TO THE DESIGNER'S DISCRETION AS LONG AS IT'S KEPT WITHIN ENVELOPE DIMENSIONS SHOWN AND PCB MOUNTING HOLE PATTERN IS MAINTAINED.

TOLERANCES: UNLESS OTHERWISE SPECIFIED DIMENSIONS ARE IN U.S. INCHES.
 X.XX = .015 X.XXXX = .001
 X.XXX = .010 X.X° = 1°

NEW AGE ENCLOSURES

Customer's Part No: 301810

APPROVAL BY DATE

CHECK

ENG.

SCALE AS NOTED

DRAWN BY R. CRUZ 2016-Jul-07

NEW AGE ENCLOSURES
 2240 South Thornburg Street Santa Maria, CA. 93455
 ph. (805) 595-1310 fax (805) 595-1024

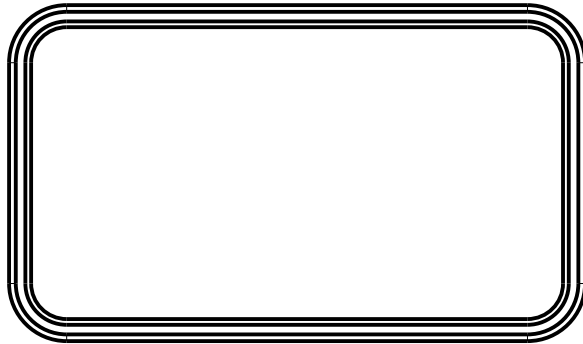
www.newageenclosures.com

**MULTI PORT BAR - STANDARD
 SXX-301810-XXX**

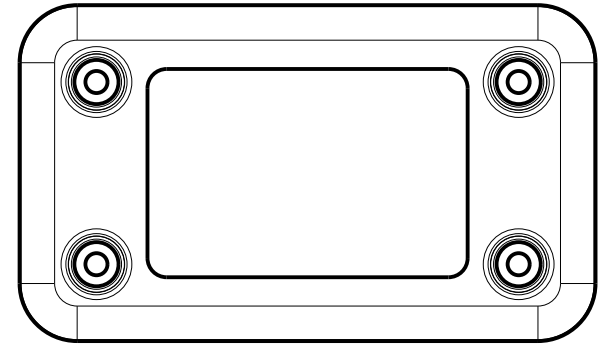
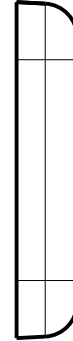
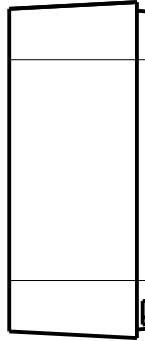
SIZE A DRAWING NAME 301810_R2_0 SHEET 5 OF 6 REV.DOC 2.0

301810 - 2nd OPERATION DETAILS

NEW AGE ENCLOSURES DELIVERS YOUR ENCLOSURE MARKET-READY WITH IN-HOUSE
CNC MACHINING, PAD PRINTING, ASSEMBLY, AND FULFILLEMENT.
ALL SURFACES AND AREAS ARE AVAILABLE FOR CNC ALTERATION BY NEW AGE ENCLOSURES
CALL (805) 595-1310 FOR PRICING AND SCHEDULE.
THE INSIDE RADIUS OF ANY MACHINED FEATURES SHOULD BE NO SMALLER THAN .031"



301810 COVER
SCALE 1.000



301810 BASE
SCALE 1.000



SXX-301810-XXX COVER - ABS, BLACK					
STEP NO	DESCRIPTION	CUTTER	FIXTURE	ORIENTATION	PROGRAM
1-C-C1	-	T2 = .062" EM	414	-	o1001
2-C-C2	-	T2 = .062" EM	414	-	o1002

SXX-301810-XXX COVER - ABS, BLACK					
STEP NO	DESCRIPTION	INK COLOR	CLICHE DESCRIPTION	FIXTURE	CLICHE No.
3-C-P1	PAD PRINT	-	-	-	CLXXXX R1

TOLERANCES: UNLESS OTHERWISE SPECIFIED
DIMENSIONS ARE IN U.S. INCHES.
X.XX = .015 X.XXXX = .001
X.XXX = .010 XX° = 1°

NEW AGE ENCLOSURES
Customer's Part No: 301810

APPROVAL	BY	DATE
CHECK		
ENG.		
SCALE	AS NOTED	
DRAWN BY	2016-Jul-07	
R. CRUZ		

NEW AGE ENCLOSURES
2240 South Thornburg Street Santa Maria, CA. 93455
ph. (805) 595-1310 fax (805) 595-1024
www.newageenclosures.com

MULTI PORT BAR - STANDARD
SXX-301810-XXX

SIZE	DRAWING NAME	SHEET	REV.DOC
A	301810_R2_0	6 OF 6	2.0