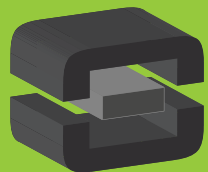




From Off-The-Shelf to Market-Ready© New Age Enclosures is your Single Source Solution.  
Let us quote modifying our Stock Enclosures to meet your end-use.  
visit [newageenclosures.com/services](http://newageenclosures.com/services) or call 855-4NA-ENCL today.

**CNC CUTOUTS**  
**PART DECORATING**  
**CUSTOM COLOR AND MATERIAL**  
**RF/EMI SHEILDING**  
**CUSTOM TOOL INSERTS**  
**CUSTOM ENCLOSURES AND DESIGN**



**NEW AGE**  
**ENCLOSURES**

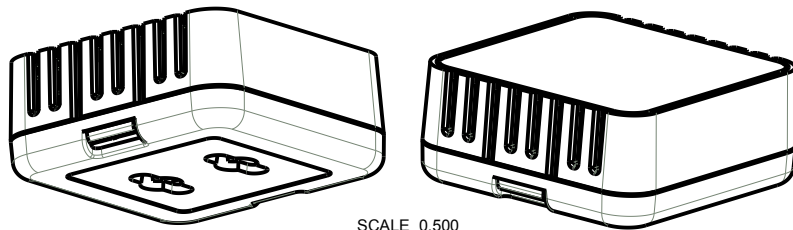
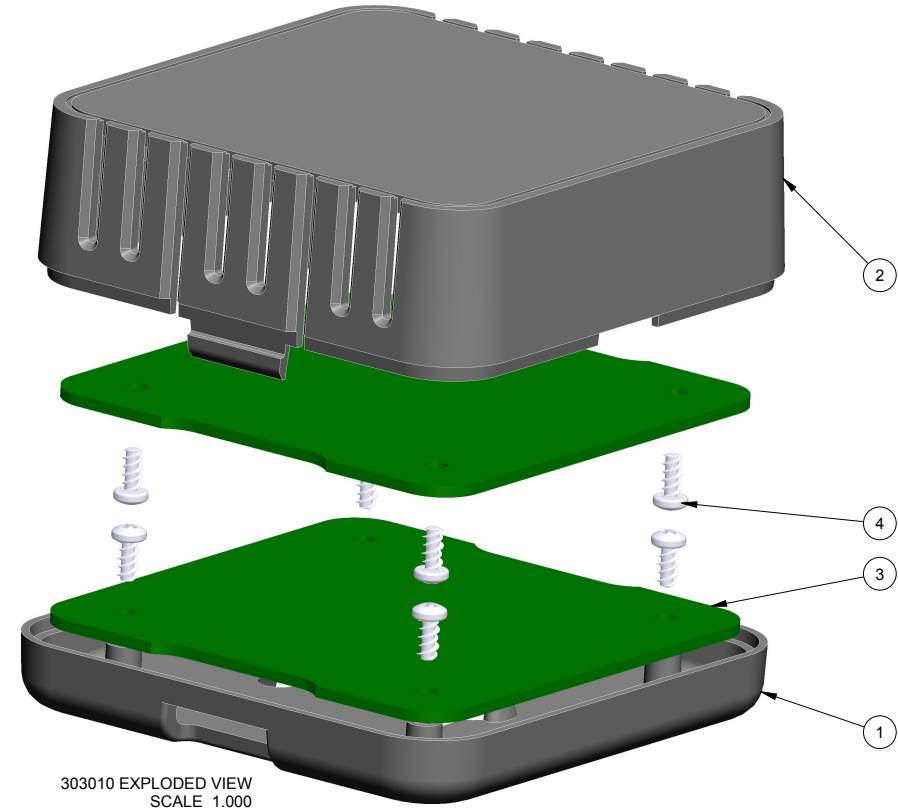
DEVELOP THE FUTURE



NOTES: UNLESS OTHERWISE SPECIFIED


1. CORNERS DRAWN SHARP TO BE R.005 MAXIMUM.
2. EXTERIOR SURFACE TEXTURE TO BE LIGHT EDM FINISH. EQUIVALENT TO MT-11020.
3. INTERIOR SURFACE TEXTURE TO BE: NONE.
4. ALL INSIDE RADII .010R. UNLESS OTHERWISE SPECIFIED.
5. ALL EXTERNAL DIMENSIONS AFFECTED BY THE DRAFT APPLY AT THE LARGE END OF THE FEATURE, AND ALL INTERNAL FEATURES AFFECTED BY THE DRAFT APPLY AT THE SMALL END OF THE FEATURE UNLESS OTHERWISE SPECIFIED.
6. 1 DEGREE DRAFT IN THE DIRECTION OF PULL IS PERMISSIBLE UNLESS OTHERWISE SPECIFIED.
7. MATERIAL / COLOR: ABS PLASTIC IS STANDARD IN BLACK OR WHITE. CUSTOM MATERIALS AND COLORS ARE AVAILABLE UPON REQUEST FOR QUOTE. ALTERNATE RESINS HAVE DIFFERENT SHRINK RATES, AND WILL EFFECT DIMENSIONS.
8. PCB SIZES ARE RECOMMENDATIONS ONLY. FINAL SIZES AND VERIFICATION OF ITS FIT ARE THE SOLE RESPONSIBILITY OF EACH CUSTOMER.
9. THIS DRAWING IS BASED ON A SOLID MODEL, AND IS FURTHER DEFINED BY THE SOLID MODEL FILE.
10. ALLOWABLE FLASH: 0.015 MAX.
11. ALL EJECTOR PIN MARKS TO BE WITHIN 0.015" OF FLUSH, PROTRUDING OR BELOW FLUSH.
12. TRIM GATE WITHIN 0.030" OF FLUSH.

R E V I S I O N					
REV.	DRAWN BY	ECO No	DESCRIPTION	DATE	APPROVE
A	R CRUZ	DR XXX	PRELIMINARY RELEASE	2019-Aug-13	D.C.
B	R CRUZ		CHANGE FROM SCREW TOGETHER TO PRESS TOGETHER	2019-Dec-12	D.C.
C	M BOYER		REVISE INTERLOCK AND MOUNTING HOLES	2019-Dec-17	D.C.
D	M BOYER		REVISE HOOK AND PCB	2020-Feb-03	D.C.
E	R CRUZ		REVISE MOUNTING HOLE DESIGN	2020-Mar-05	D.C.
F	M BOYER		TIGHTEN SNAP AND REVISE PCB PROFILE	2020-Jun-01	D.C.
1.0	M BOYER		UPDATE TO AS BUILT	2020-Jul-13	



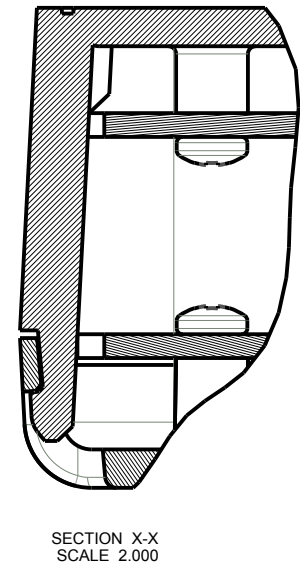
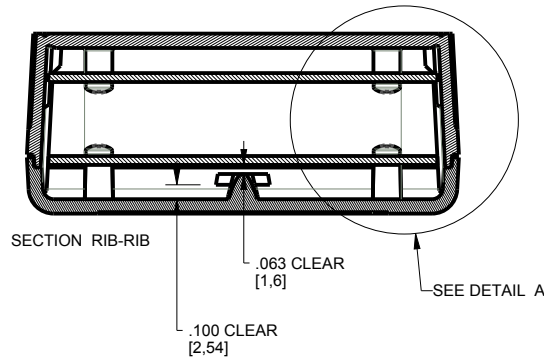
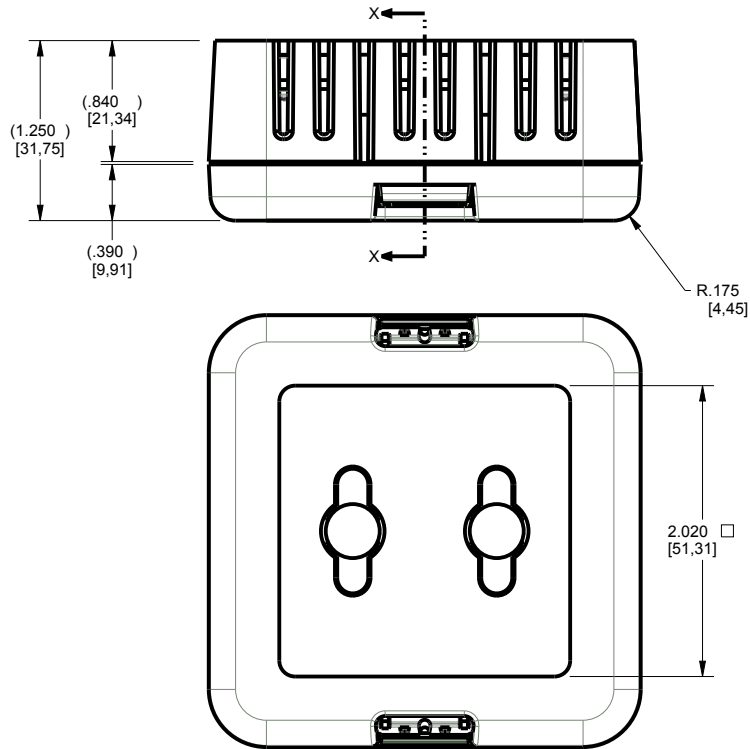
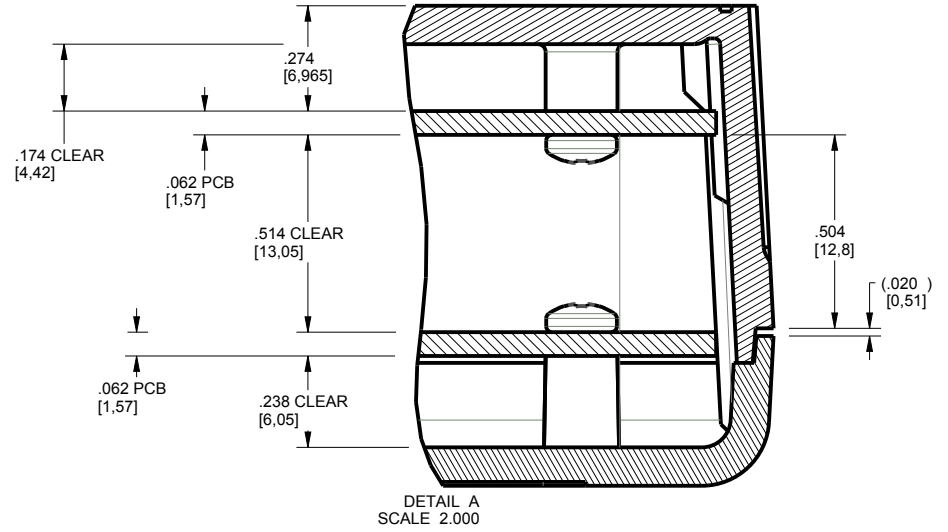
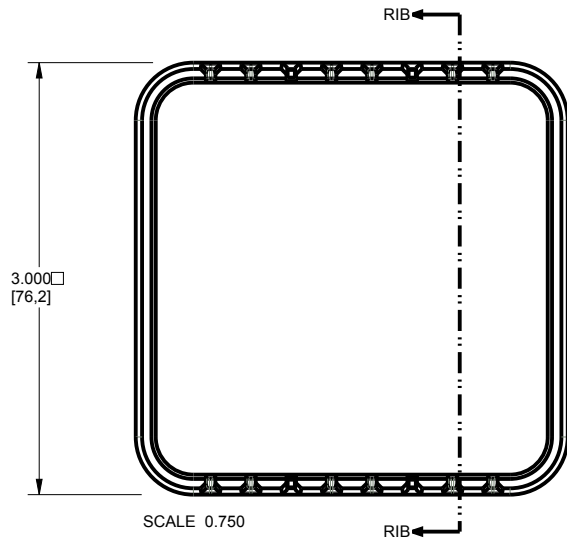
4	SCREW_HILO-N04X250	#4 HiLo x .250" SCREW	ZINC PLATED	SOLD SEPARATELY	8
3	303012_PCB_062	303012 PCB - REFERENCE	.062" THICK	CUSTOMER SUPPLIED	2
2	303012_COVER	303012 COVER - STANDARD	ABS	BLACK or WHITE	1
1	303012_BASE	303012 BASE - STANDARD	ABS	BLACK or WHITE	1
ITEM	FILE NAME	DESCRIPTION	MATERIAL	COLOR	QTY.

BILL OF MATERIALS

THIRD ANGLE PROJECTION 	TOLERANCES: UNLESS OTHERWISE SPECIFIED DIMENSIONS ARE IN U.S. INCHES. X.XX = .015 X.XXXX = .001 X.XXX = .010 X.X" = 1°	<b>NEW AGE ENCLOSURES</b> 2240 South Thornburg Street Santa Maria, CA. 93455 ph. (855) 462-3625 fax (805) 595-1024 <a href="http://www.newageenclosures.com">www.newageenclosures.com</a>
DO NOT SCALE DRAWING	Customer's Part No: 303012	
APPROVAL		BY DATE
CHECK		
ENG.		
SCALE		AS NOTED
DRAWN BY R CRUZ		DATE 2019-Aug-13
SIZE A	DRAWING NAME 303012_R1_0	SHEET 1 OF 6
REV.DOC 1.0		

NOTICE: THE INFORMATION AND DATA CONTAINED HEREIN IS CONSIDERED PROPRIETARY TO ALLTEC INTEGRATED MFG INC & SHALL REMAIN THE EXCLUSIVE PROPERTY OF ALLTEC INTEGRATED MFG INC. THE HOLDER WILL ASSUME CUSTODY AND CONTROL THAT THIS DOCUMENT WILL NOT BE COPIED, REPRODUCED, OR DISCLOSED WITHOUT THE EXPRESS WRITTEN CONSENT OF ALLTEC INTEGRATED MFG INC. POSSESSION OF THIS DOCUMENT DOES NOT CONSTITUTE A GRANT TO MANUFACTURE ANY ITEMS.  
© 2020

# 303012 ASSEMBLY



TOLERANCES: UNLESS OTHERWISE SPECIFIED DIMENSIONS ARE IN U.S. INCHES.  
 X.XX = .015 X.XXXX = .001  
 X.XXX = .010 X.X° = 1°

NEW AGE ENCLOSURES  
 Customer's Part No: 303012

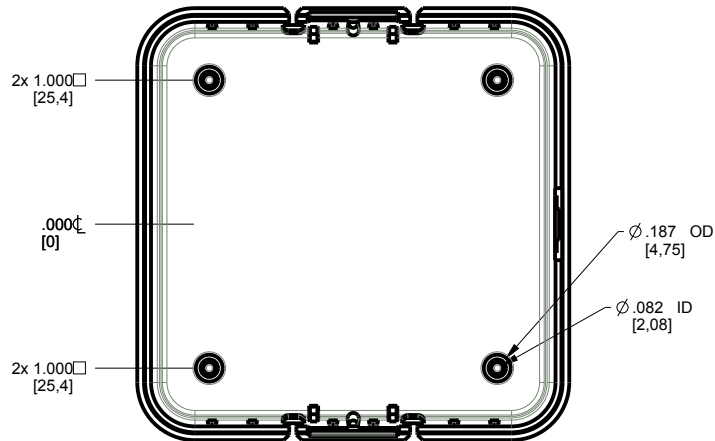
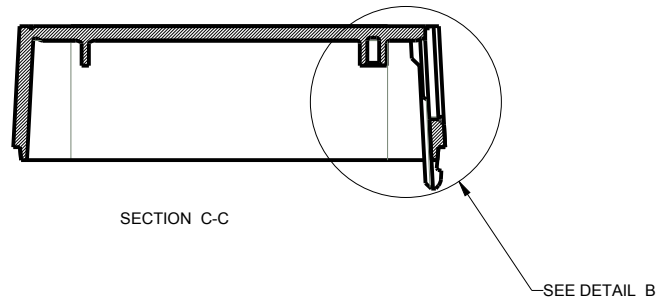
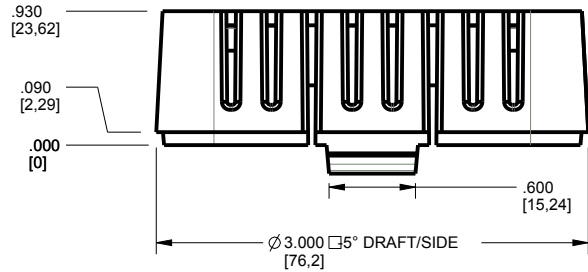
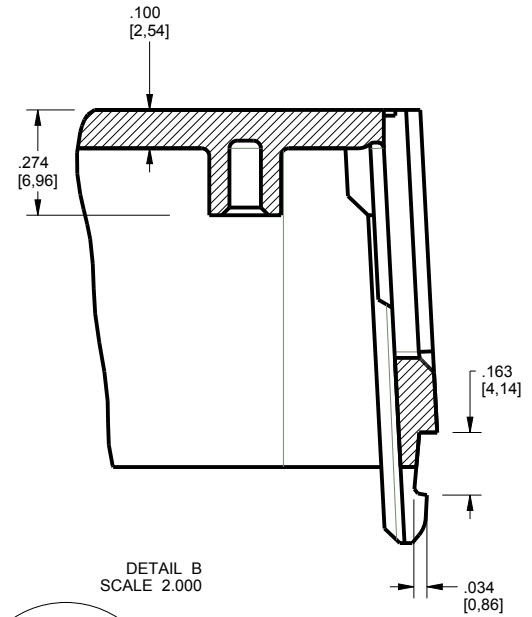
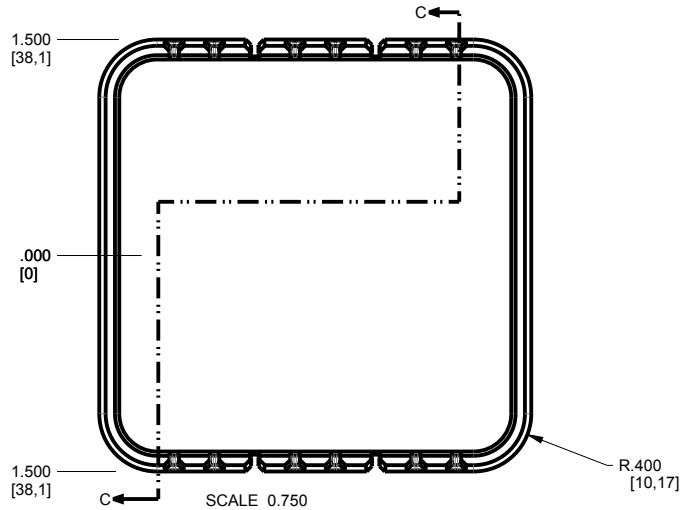
APPROVAL	BY	DATE
CHECK		
ENG.		
SCALE	AS NOTED	
DRAWN BY	R CRUZ	
	2019-Aug-13	

**NEW AGE ENCLOSURES**  
 2240 South Thornburg Street Santa Maria, CA. 93455  
 ph. (855) 462-3625 fax (805) 595-1024  
[www.newageenclosures.com](http://www.newageenclosures.com)

**STANDARD - 3" VENTED CUBE  
 PXX-303012-XXX**

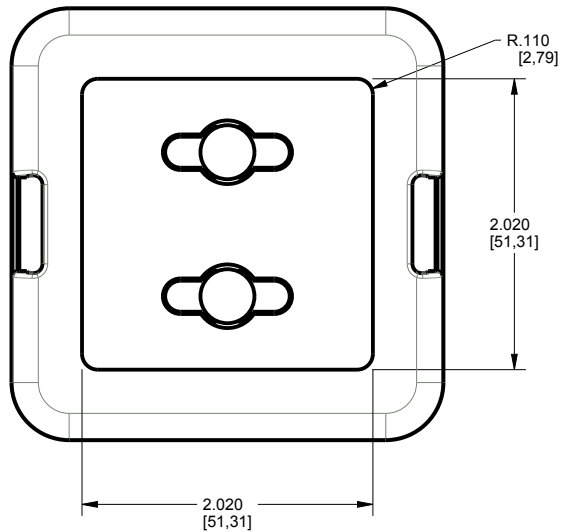
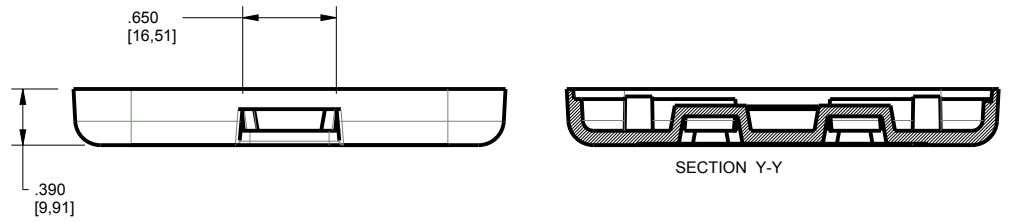
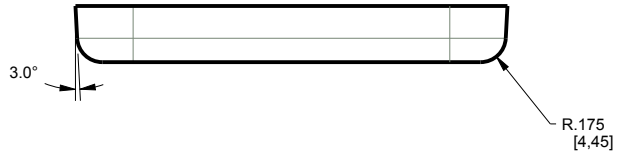
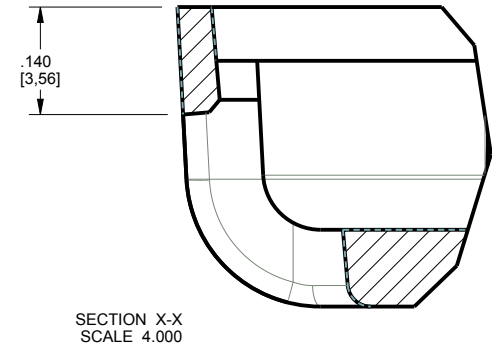
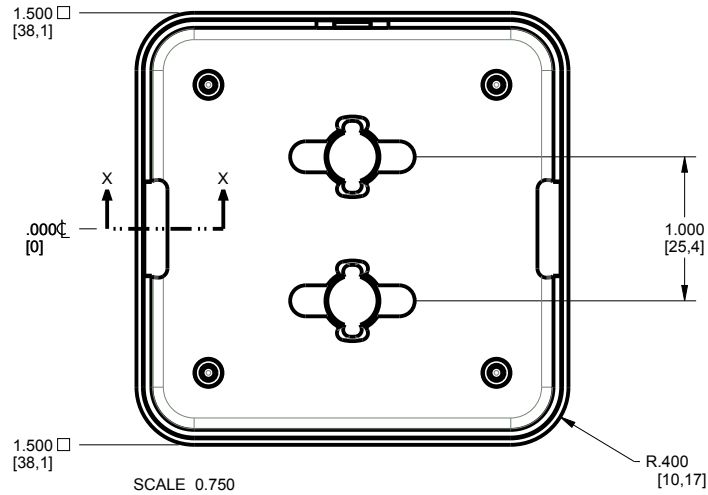
SIZE	DRAWING NAME	SHEET	REV.DOC
A	303012_R1_0	2 OF 6	1.0

# 303012 COVER



TOLERANCES - UNLESS OTHERWISE SPECIFIED DIMENSIONS ARE IN U.S. INCHES. X.XX = .015 X.XXXX = .001 X.XXX = .010 X.X° = 1°		<b>NEW AGE ENCLOSURES</b>	
NEW AGE ENCLOSURES		2240 South Thornburg Street Santa Maria, CA. 93455 ph. (855) 462-3625 fax (805) 595-1024 <a href="http://www.newageenclosures.com">www.newageenclosures.com</a>	
Customer's Part No: 303012			
APPROVAL	BY	DATE	STANDARD - 3" VENTED CUBE PXX-303012-XXX
CHECK			
ENG.			
SCALE	AS NOTED		
DRAWN BY	2019-Aug-13	SIZE	DRAWING NAME
R CRUZ		A	303012_R1_0
		SHEET	REV.DOC
		3 OF 6	1.0

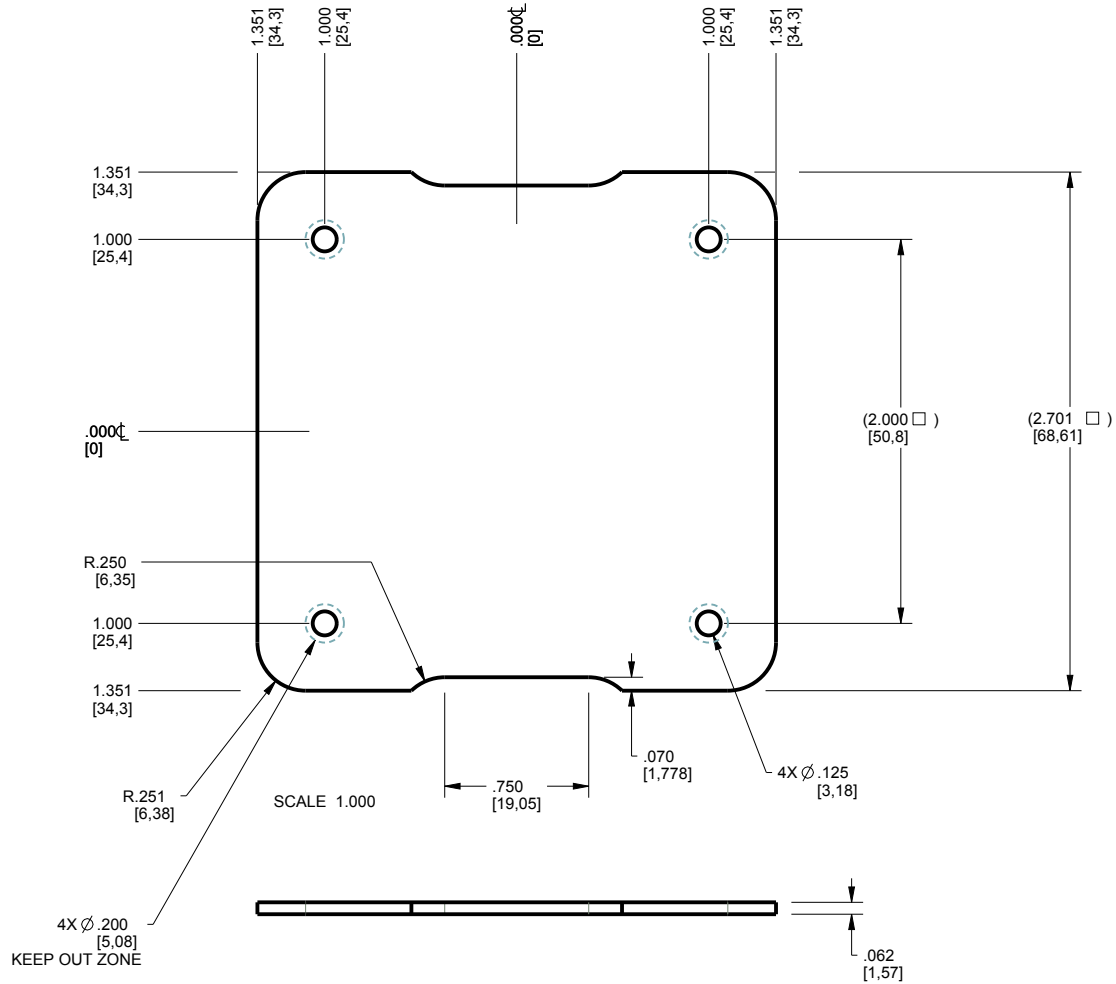
# 303012 BASE



TOLERANCES - UNLESS OTHERWISE SPECIFIED DIMENSIONS ARE IN U.S. INCHES. X.XX = .015 X.XXXX = .001 X.XXX = .010 X.X° = 1°		<b>NEW AGE ENCLOSURES</b>	
Customer's Part No: 303012		2240 South Thornburg Street Santa Maria, CA. 93455 ph. (855) 462-3625 fax (805) 595-1024 www.newageenclosures.com	
APPROVAL	BY	DATE	<b>STANDARD - 3" VENTED CUBE PXX-303012-XXX</b>
CHECK			
ENG.			
SCALE	AS NOTED		
DRAWN BY	2019-Aug-13	SIZE	REV.DOC
R CRUZ		A	303012_R1_0
		SHEET	REV.DOC
		4 OF 6	1.0

# 303012 PCB - CUSTOMER SUPPLIED

PCB SIZES ARE RECOMMENDATIONS ONLY. FINAL SIZES AND VERIFICATION OF ITS FIT ARE THE SOLE RESPONSIBILITY OF THE OEM.



TOLERANCES: UNLESS OTHERWISE SPECIFIED  
DIMENSIONS ARE IN U.S. INCHES.  
X.XX = .015 X.XXXX = .001  
X.XXX = .010 X.X° = 1°

NEW AGE ENCLOSURES

Customer's Part No: 303012

APPROVAL BY DATE

CHECK

ENG.

SCALE AS NOTED

DRAWN BY R CRUZ

2019-Aug-13

**NEW AGE ENCLOSURES**

2240 South Thornburg Street Santa Maria, CA. 93455  
ph. (855) 462-3625 fax (805) 595-1024  
www.newageenclosures.com

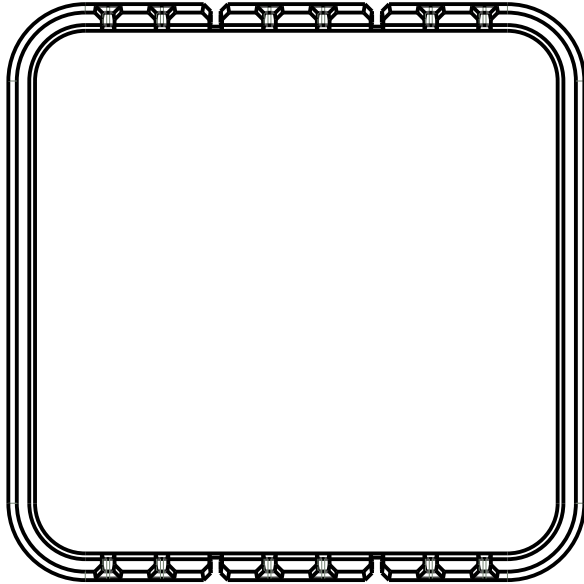
STANDARD - 3" VENTED CUBE  
PXX-303012-XXX

SIZE A DRAWING NAME 303012\_R1\_0

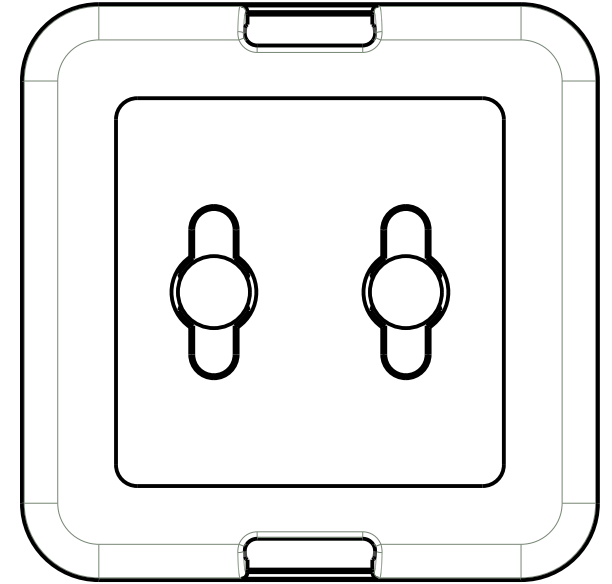
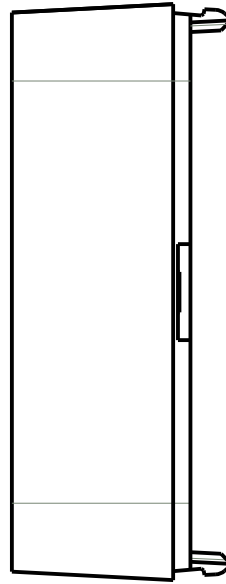
SHEET 5 OF 6 REV.DOC 1.0

### 303012 - 2nd OPERATION DETAILS

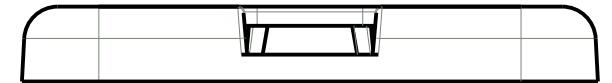
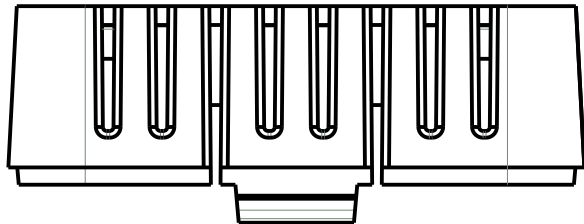
NEW AGE ENCLOSURES DELIVERS YOUR ENCLOSURE MARKET-READY WITH IN-HOUSE CNC MACHINING, PAD PRINTING, ASSEMBLY, AND FULFILLMENT. ALL SURFACES AND AREAS ARE AVAILABLE FOR CNC ALTERATION BY NEW AGE ENCLOSURES CALL (855) 462-3625 FOR PRICING AND SCHEDULE. THE INSIDE RADIUS OF ANY MACHINED FEATURES SHOULD BE NO SMALLER THAN .031"



303012 COVER  
SCALE 1.000



303012 BASE  
SCALE 1.000



SXX-303012-XXX COVER - ABS, BLACK

STEP NO	DESCRIPTION	CUTTER	FIXTURE	ORIENTATION	PROGRAM
1-C-C1	-	T2 = .062" EM	-		
2-C-C2	-	T2 = .062" EM	-		

SXX-303012-XXX COVER - ABS, BLACK

STEP NO	DESCRIPTION	INK COLOR	CLICHE DESCRIPTION	CLICHE No.
3-C-P1	PAD PRINT			CLXXXX R1

TOLERANCES: UNLESS OTHERWISE SPECIFIED DIMENSIONS ARE IN U.S. INCHES.  
X.XX = .015 X.XXXX = .001  
X.XXX = .010 X.X° = 1°

NEW AGE ENCLOSURES  
Customer's Part No: 303012

APPROVAL	BY	DATE
CHECK		
ENG.		
SCALE	AS NOTED	
DRAWN BY	2019-Aug-13	
R CRUZ		

**NEW AGE ENCLOSURES**  
2240 South Thornburg Street Santa Maria, CA. 93455  
ph. (855) 462-3625 fax (805) 595-1024  
www.newageenclosures.com

STANDARD - 3" VENTED CUBE  
PXX-303012-XXX

SIZE	DRAWING NAME	SHEET	REV.DOC
A	303012_R1_0	6 OF 6	1.0