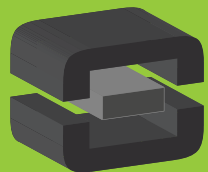




From Off-The-Shelf to Market-Ready© New Age Enclosures is your Single Source Solution.  
Let us quote modifying our Stock Enclosures to meet your end-use.  
visit [newageenclosures.com/services](http://newageenclosures.com/services) or call 855-4NA-ENCL today.

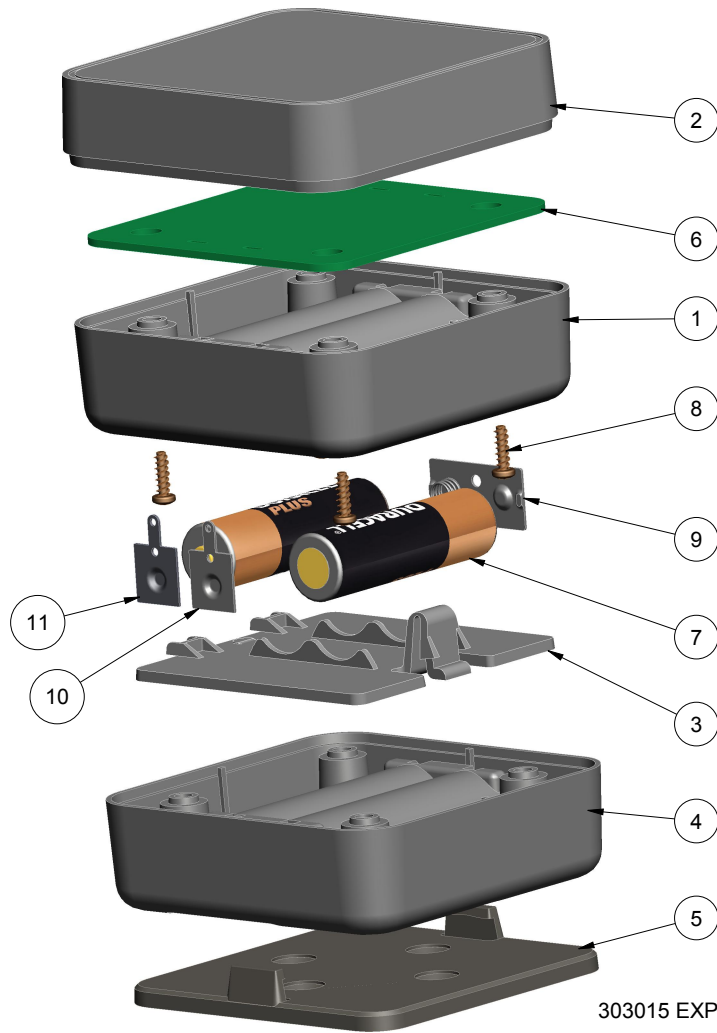
**CNC CUTOUTS**  
**PART DECORATING**  
**CUSTOM COLOR AND MATERIAL**  
**RF/EMI SHEILDING**  
**CUSTOM TOOL INSERTS**  
**CUSTOM ENCLOSURES AND DESIGN**



**NEW AGE**  
**ENCLOSURES**

DEVELOP THE FUTURE





303015 EXPLODED VIEW  
SCALE 0.660

R E V I S I O N					
REV.	DRAWN BY	ECO No	DESCRIPTION	DATE	APPROVE
A	M BOYER		PRELIMINARY RELEASE	2018-Oct-25	D.C.
B	M BOYER		REVISE TITLE	2018-Nov-15	D.C.
C	M BOYER		UPDATE MODEL PER REVIEW FEEDBACK	2019-Feb-25	D.C.
D	M BOYER		REVISE PER FEEDBACK MEETING	2019-Apr-18	D.C.
E	M BOYER		REVISE PER FA DESIGN REVIEW	2019-Jun-26	D.C.
1.0	R CRUZ	03519	UPDATE TO AS-BUILT	2019-Dec-17	J.T.
2.0	M BOYER	02821	REVISE NOTE 7 AND UPDATE CONFIG TABLE	2021-Aug-05	

303015(x) CONFIGURATIONS		
	-Blank	-K
303015 COVER	1	1
303015 BATTERY BASE	1	
303015 BATTERY WALL BASE		1
303015 BATTERY HATCH	1	1
303015 WALL PLATE		1
303015 PCB	1*	1*
#4 HiLo SCREW .375"	4	4

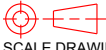
\* = NOT INCLUDED (CUSTOMER SUPPLIED)

NOTES: UNLESS OTHERWISE SPECIFIED

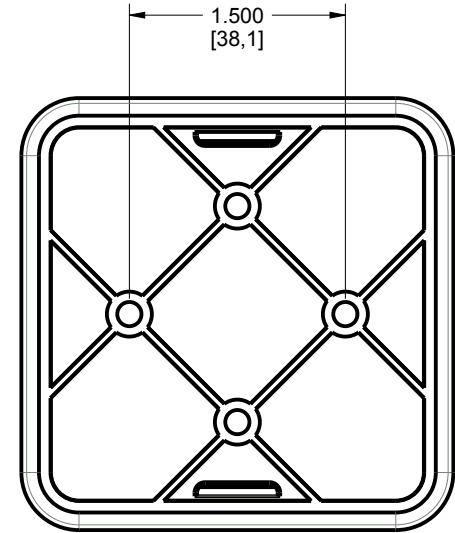
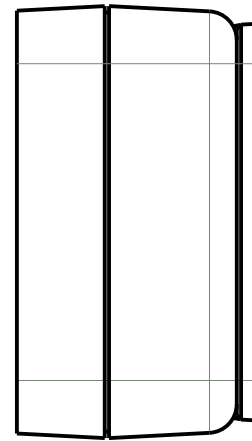
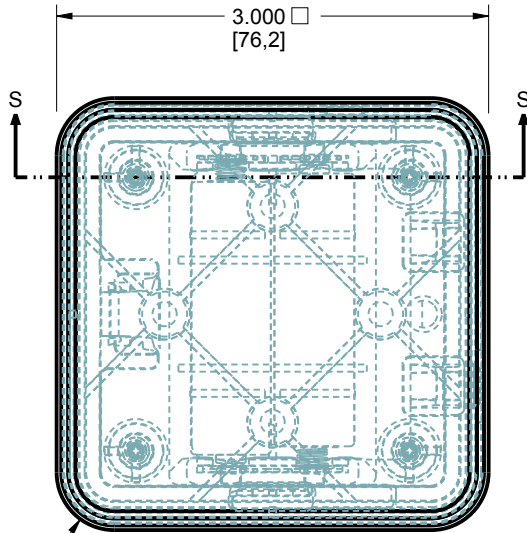
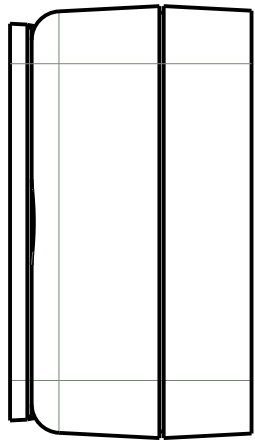
- CORNERS DRAWN SHARP TO BE R.005 MAXIMUM.
- EXTERIOR SURFACE TEXTURE TO BE LIGHT EDM FINISH, EQUIVELANT TO MT-11010. APPEARANCE AND DEPTH OF TEXTURE VARIES OVER TIME DUE TO WEAR.
- INTERIOR SURFACE TEXTURE TO BE: AS MOLDED.
- ALL INSIDE RADII .010R. UNLESS OTHERWISE SPECIFIED.
- ALL EXTERNAL DIMENSIONS AFFECTED BY THE DRAFT APPLY AT THE LARGE END OF THE FEATURE, AND ALL INTERNAL FEATURES AFFECTED BY THE DRAFT APPLY AT THE SMALL END OF THE FEATURE UNLESS OTHERWISE SPECIFIED.
- 1 DEGREE DRAFT IN THE DIRECTION OF PULL IS PERMISSIBLE UNLESS OTHERWISE SPECIFIED.
- MATERIAL / COLOR: ABS PLASTIC IS STANDARD IN BLACK OR WHITE. CUSTOM MATERIALS AND COLORS ARE AVAILABLE UPON REQUEST FOR QUOTE. ALTERNATE RESINS HAVE DIFFERENT SHRINK RATES, AND WILL EFFECT DIMENSIONS.
- PCB SIZES ARE RECOMMENDATIONS ONLY. FINAL SIZES AND VERIFICATION OF ITS FIT ARE THE SOLE RESPONSIBILITY OF EACH OWNER.
- ASSEMBLY SCREWS FOR THE ENCLOSURE INCLUDED.
- THIS DRAWING IS BASED ON A SOLID MODEL, AND IS FURTHER DEFINED BY THE SOLID MODEL FILE.
- ALLOWABLE FLASH: 0.005 MAX.
- ALL EJECTOR PIN MARKS TO BE WITHIN 0.010" OF FLUSH, PROTRUDING OR BELOW FLUSH.
- TRIM GATE WITHIN 0.015" OF FLUSH.

ITEM	FILE NAME	DESCRIPTION	MATERIAL	COLOR	QTY.
11	AA-SINGL-CONTACT-POS	ACC-AAPOS-5223	SPRING STEEL	SOLD SEPARATELY	1
10	AA-SINGL-CONTACT-NEG	ACC-AANEG-5201	SPRING STEEL	SOLD SEPARATELY	1
9	AA-DBL-CONTACT	ACC-AADBL-5212	SPRING STEEL	SOLD SEPARATELY	1
8	SCREW_HILO-N04X375	#4 HiLo x .375" SCREW	ZINC PLATED	INCLUDED	4
7	BATTERY_AA	"AA" SIZE BATTERY	REFERENCE	CUSTOMER SUPPLIED	2
6	303015-PCB_062	303015 .062" PCB - REFERENCE	.062" THICK	CUSTOMER SUPPLIED	1
5	303015-WALLPLATE-FLAT	303015 WALL PLATE - STANDARD	ABS	BLACK or WHITE	1
4	303015-WALLBASE	303015 WALL BASE - STANDARD	ABS	BLACK or WHITE	1
3	303015-HATCH	303015 HATCH - STANDARD	ABS	BLACK or WHITE	1
2	303015-COVER	303015 COVER - STANDARD	ABS	BLACK or WHITE	1
1	303015-BASE	303015 BATTERY BASE - STANDARD	ABS	BLACK or WHITE	1

BILL OF MATERIALS

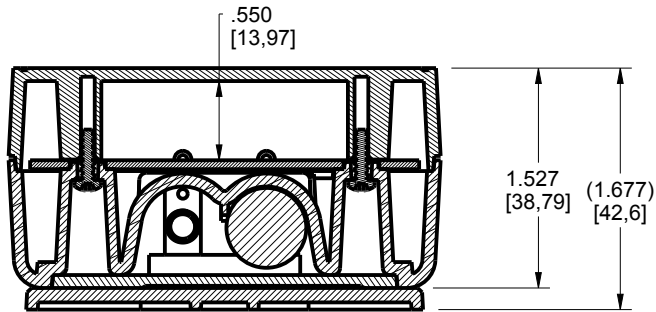
THIRD ANGLE PROJECTION  DO NOT SCALE DRAWING	TOLERANCES: UNLESS OTHERWISE SPECIFIED DIMENSIONS ARE IN U.S. INCHES. X.XX = .015 X.XXXX = .001 X.XXX = .010 X.X" = 1"		<b>NEW AGE ENCLOSURES</b> 2240 South Thornburg Street Santa Maria, CA. 93455 ph. (805) 595-1310 fax (805) 595-1024 <a href="http://www.newageenclosures.com">www.newageenclosures.com</a>
	Customer's Part No: 303015		
APPROVAL	BY	DATE	<b>2 AA CUBE - STANDARD</b> <b>SXX-303015X-XXX</b>
CHECK			
ENG.			
SCALE	AS NOTED		
DRAWN BY	2018-Oct-25	SIZE	DRAWING NAME
M BOYER		A	303015_R2_0
		SHEET	REV.DOC
		1 OF 9	2.0

303015 ASSEMBLY



SCALE 0.750

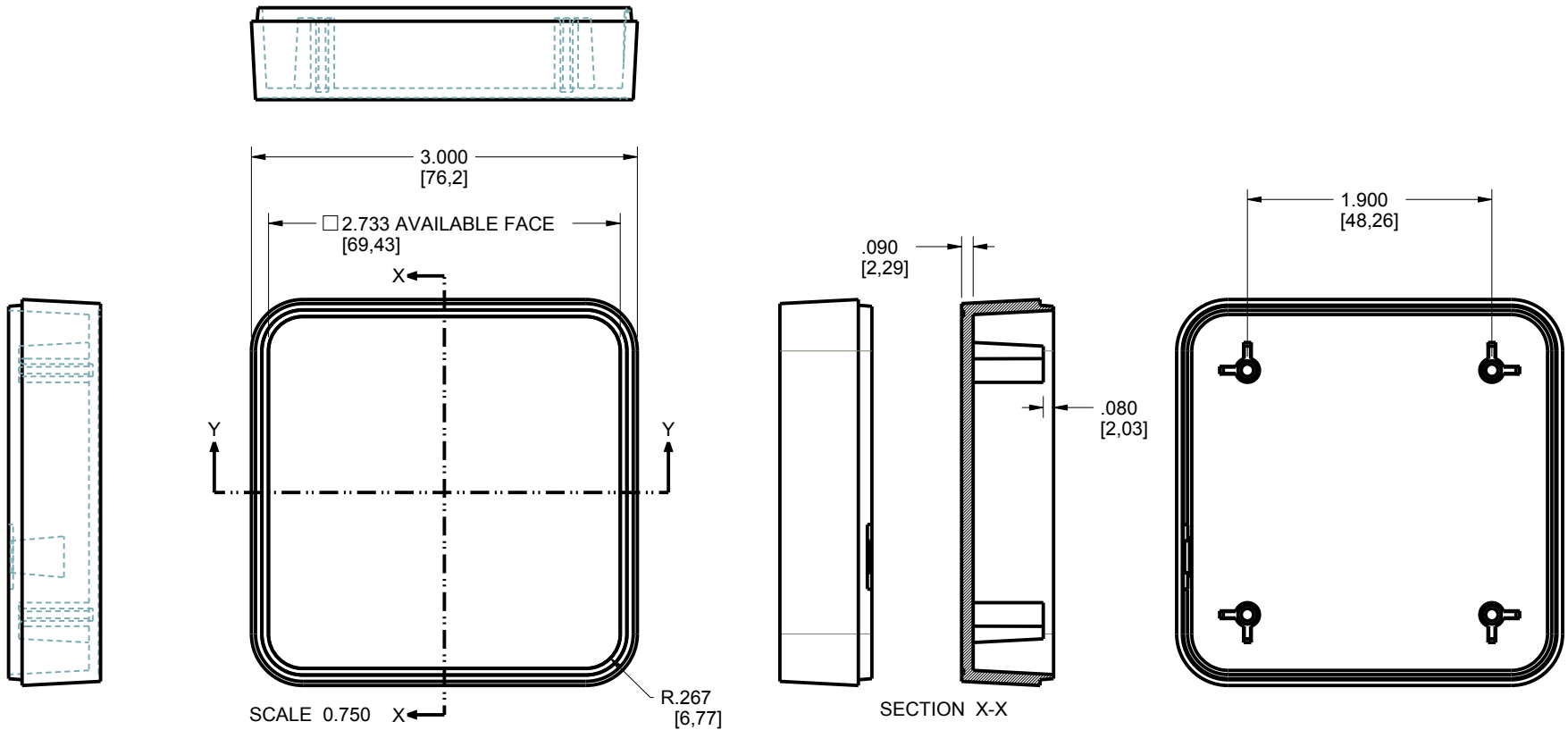
R.400  
[10,16]



SECTION S-S

TOLERANCES: UNLESS OTHERWISE SPECIFIED DIMENSIONS ARE IN U.S. INCHES. X.XX = .015 X.XXXX = .001 X.XXX = .010 X.X° = 1°		<b>NEW AGE ENCLOSURES</b>		
Customer's Part No: 303015		2240 South Thornburg Street Santa Maria, CA. 93455 ph. (805) 595-1310 fax (805) 595-1024 www.newageenclosures.com		
APPROVAL	BY	DATE	<b>2 AA CUBE - STANDARD SXX-303015X-XXX</b>	
CHECK				
ENG.				
SCALE	AS NOTED			
DRAWN BY	SIZE	DRAWING NAME	SHEET	REV.DOC
M BOYER	A	303015_R2_0	2 OF 9	2.0

303015 COVER



SCALE 0.750 X ←

SECTION X-X

SECTION Y-Y

TOLERANCES: UNLESS OTHERWISE SPECIFIED  
DIMENSIONS ARE IN U.S. INCHES.  
X.XX = .015 X.XXXX = .001  
X.XXX = .010 X.X° = 1°

**NEW AGE ENCLOSURES**  
2240 South Thornburg Street Santa Maria, CA. 93455  
ph. (805) 595-1310 fax (805) 595-1024

Customer's Part No: 303015

www.newageenclosures.com

APPROVAL	BY	DATE
CHECK		
ENG.		
SCALE	AS NOTED	

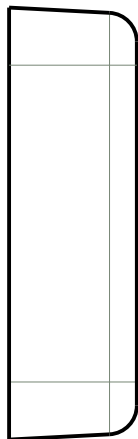
2 AA CUBE - STANDARD  
SXX-303015X-XXX

DRAWN BY  
M BOYER 2018-Oct-25

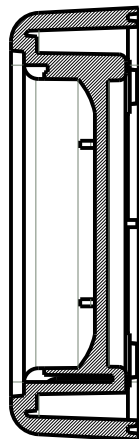
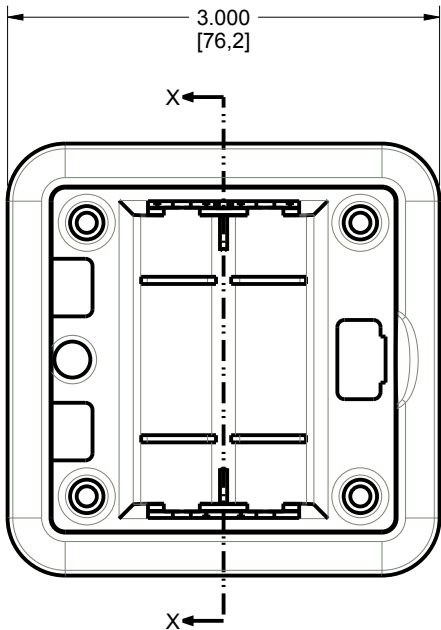
SIZE A DRAWING NAME  
303015\_R2\_0

SHEET 3 OF 9 REV.DOC 2.0

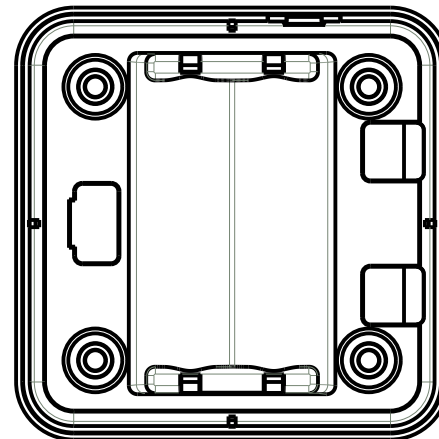
303015 BASE



SCALE 0.750



SECTION X-X



TOLERANCES: UNLESS OTHERWISE SPECIFIED  
DIMENSIONS ARE IN U.S. INCHES.  
X.XX = .015 X.XXXX = .001  
X.XXX = .010 X.X° = 1°

NEW AGE ENCLOSURES  
Customer's Part No: 303015

APPROVAL	BY	DATE
CHECK		
ENG.		
SCALE	AS NOTED	

DRAWN BY	2018-Oct-25
M BOYER	

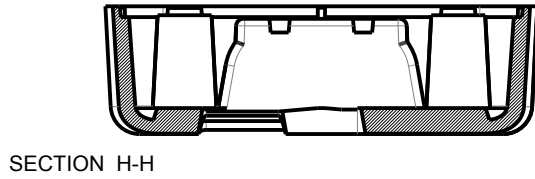
**NEW AGE ENCLOSURES**

2240 South Thornburg Street Santa Maria, CA. 93455  
ph. (805) 595-1310 fax (805) 595-1024  
www.newageenclosures.com

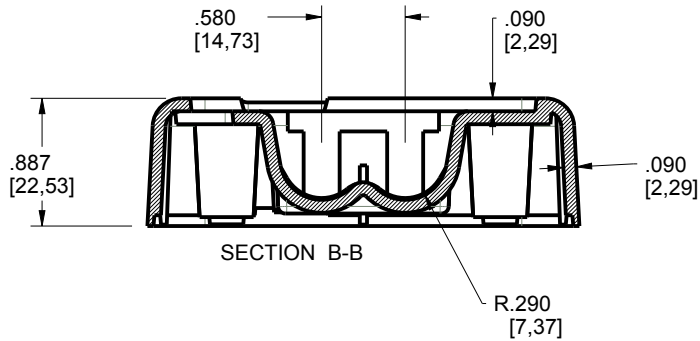
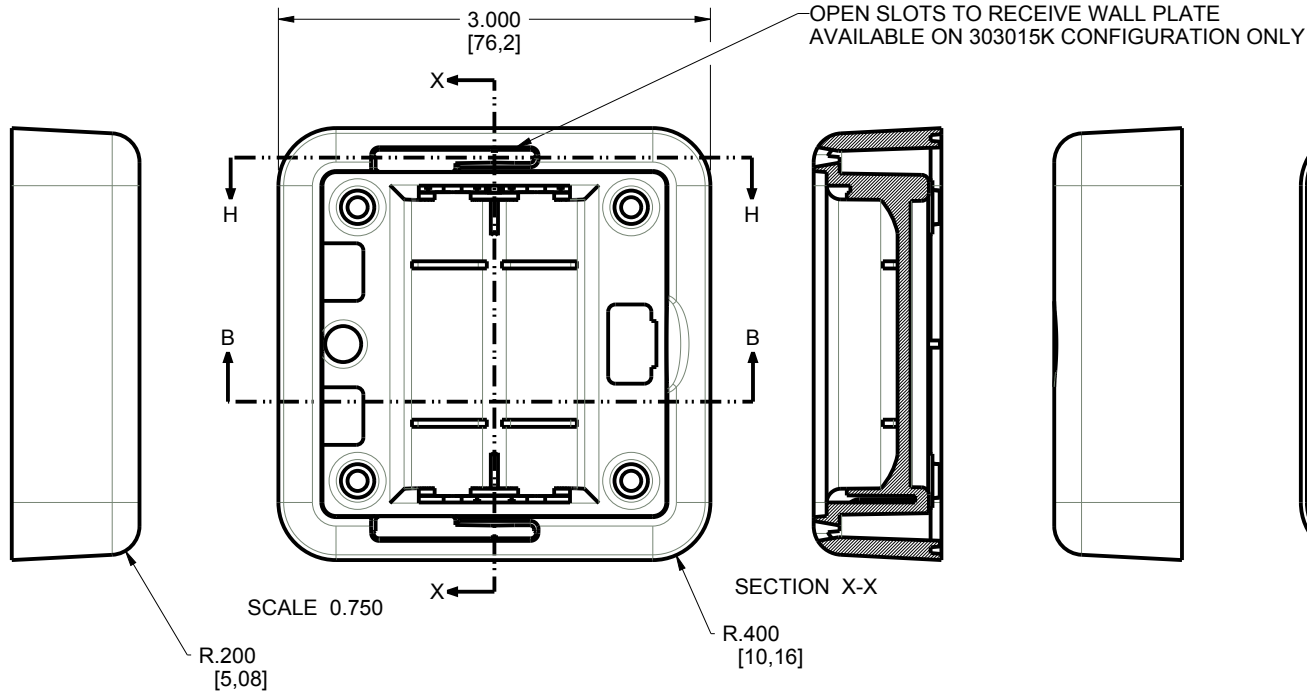
2 AA CUBE - STANDARD  
SXX-303015X-XXX

SIZE	DRAWING NAME	SHEET	REV.DOC
A	303015_R2_0	4 OF 9	2.0

# 303015 WALL BASE



SECTION H-H



TOLERANCES: UNLESS OTHERWISE SPECIFIED DIMENSIONS ARE IN U.S. INCHES. X.XX = .015 X.XXXX = .001 X.XXX = .010 X.X° = 1°		<b>NEW AGE ENCLOSURES</b>	
NEW AGE ENCLOSURES		2240 South Thornburg Street Santa Maria, CA. 93455 ph. (805) 595-1310 fax (805) 595-1024 www.newageenclosures.com	
Customer's Part No: 303015			
APPROVAL	BY	DATE	
CHECK			
ENG.			
SCALE	AS NOTED		
DRAWN BY		SIZE	DRAWING NAME
M BOYER	2018-Oct-25	A	303015_R2_0
		SHEET	REV.DOC
		5 OF 9	2.0

**NEW AGE ENCLOSURES**

2240 South Thornburg Street Santa Maria, CA. 93455  
ph. (805) 595-1310 fax (805) 595-1024  
www.newageenclosures.com

NEW AGE ENCLOSURES  
Customer's Part No: 303015

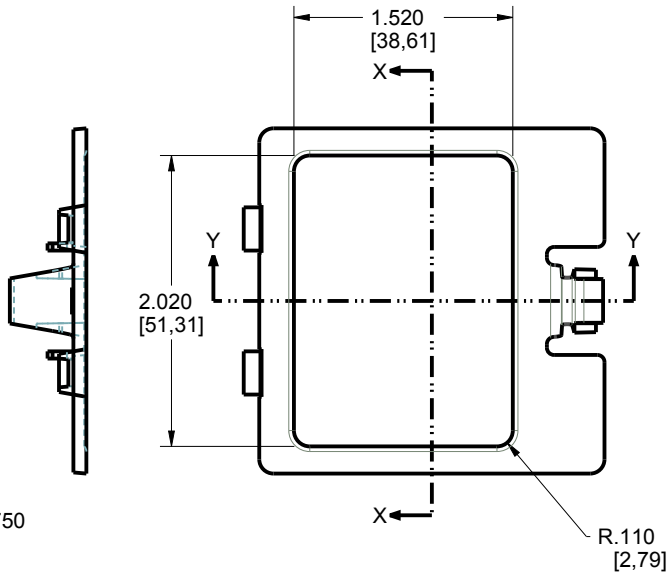
**2 AA CUBE - STANDARD  
SXX-303015X-XXX**

APPROVAL BY DATE  
CHECK  
ENG.  
SCALE AS NOTED  
DRAWN BY M BOYER  
2018-Oct-25

SIZE A  
DRAWING NAME 303015\_R2\_0

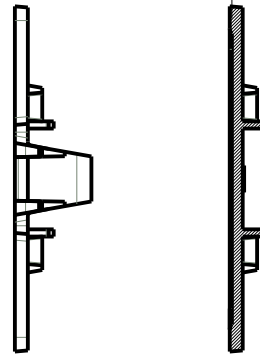
SHEET 5 OF 9  
REV.DOC 2.0

# 303015 HATCH

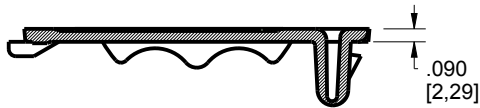
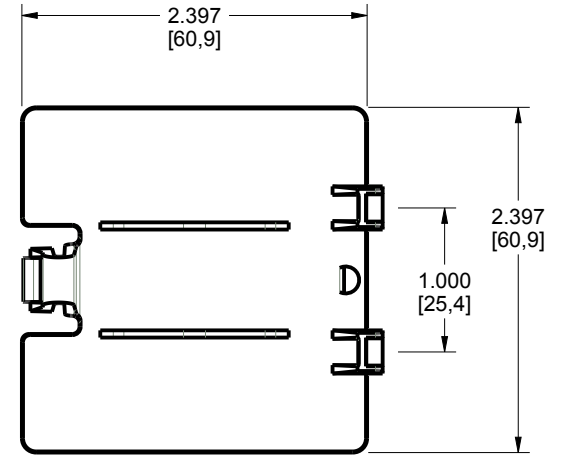


SCALE 0.750

.015 RECESS  
[0,38]



SECTION X-X



SECTION Y-Y

TOLERANCES: UNLESS OTHERWISE SPECIFIED  
DIMENSIONS ARE IN U.S. INCHES.  
X.XX = .015 X.XXXX = .001  
X.XXX = .010 X.X° = 1°

NEW AGE ENCLOSURES

Customer's Part No: 303015

APPROVAL BY DATE

CHECK

ENG.

SCALE AS NOTED

DRAWN BY M BOYER 2018-Oct-25

**NEW AGE ENCLOSURES**

2240 South Thornburg Street Santa Maria, CA. 93455  
ph. (805) 595-1310 fax (805) 595-1024  
www.newageenclosures.com

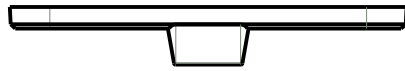
**2 AA CUBE - STANDARD  
SXX-303015X-XXX**

SIZE A DRAWING NAME 303015\_R2\_0 SHEET 6 OF 9 REV.DOC

2.0

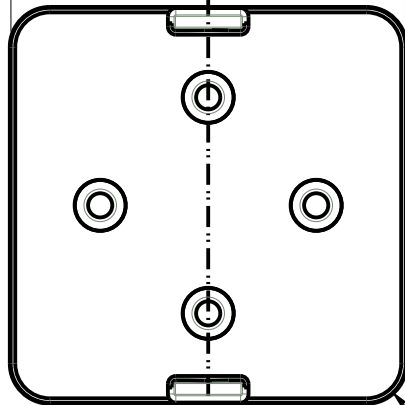


303015 WALL PLATE



2.740  
[69,6]

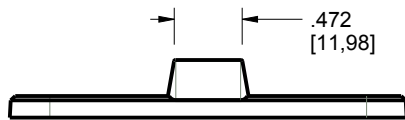
X



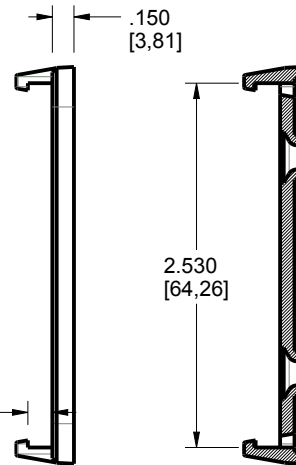
R.270  
[6,86]

SCALE 0.750

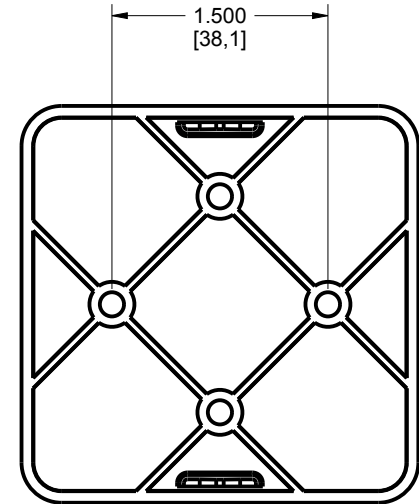
X



.472  
[11,98]



SECTION X-X



1.500  
[38,1]

TOLERANCES: UNLESS OTHERWISE SPECIFIED  
DIMENSIONS ARE IN U.S. INCHES.  
X.XX = .015 X.XXXX = .001  
X.XXX = .010 X.X° = 1°

**NEW AGE ENCLOSURES**  
2240 South Thornburg Street Santa Maria, CA. 93455  
ph. (805) 595-1310 fax (805) 595-1024

Customer's Part No: 303015

www.newageenclosures.com

APPROVAL	BY	DATE
CHECK		
ENG.		
SCALE	AS NOTED	

**2 AA CUBE - STANDARD**  
**SXX-303015X-XXX**

DRAWN BY  
M BOYER 2018-Oct-25

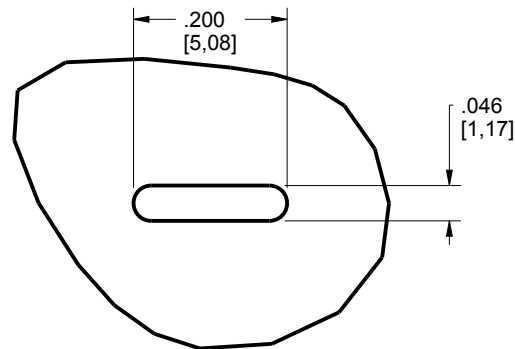
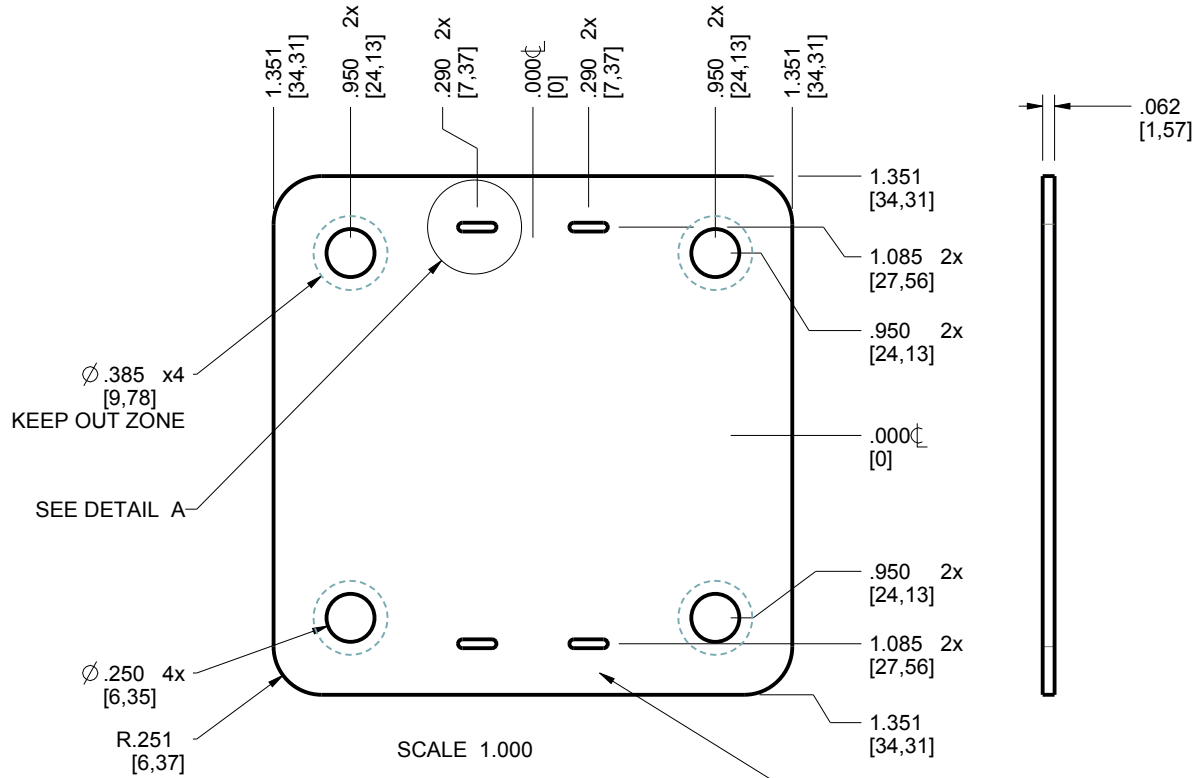
SIZE  
A 303015\_R2\_0

SHEET  
7 OF 9

REV.DOC  
2.0

### 303015 PCB - CUSTOMER SUPPLIED

PCB SIZES ARE RECOMMENDATIONS ONLY. FINAL SIZES AND VERIFICATION OF ITS FIT ARE THE SOLE RESPONSIBILITY OF THE OEM.



DEPENDING ON HOW THE CONTACTS ARE USED, IN SERIES OR PARALLEL, THE BOARD WILL NEED TWO OR FOUR SOLDER HOLES. THE BATTERY CONTACTS CAN ALSO BE BENT 90 DEGREES AND WIRED TO THE BOARD INSTEAD OF DIRECTLY SOLDERED IN THESE LOCATIONS.

TOLERANCES: UNLESS OTHERWISE SPECIFIED DIMENSIONS ARE IN U.S. INCHES.  
 X.XX = .015 X.XXXX = .001  
 X.XXX = .010 X.X° = 1°

NEW AGE ENCLOSURES

Customer's Part No: 303015

APPROVAL	BY	DATE
CHECK		
ENG.		
SCALE	AS NOTED	

DRAWN BY	2018-Oct-25
M BOYER	

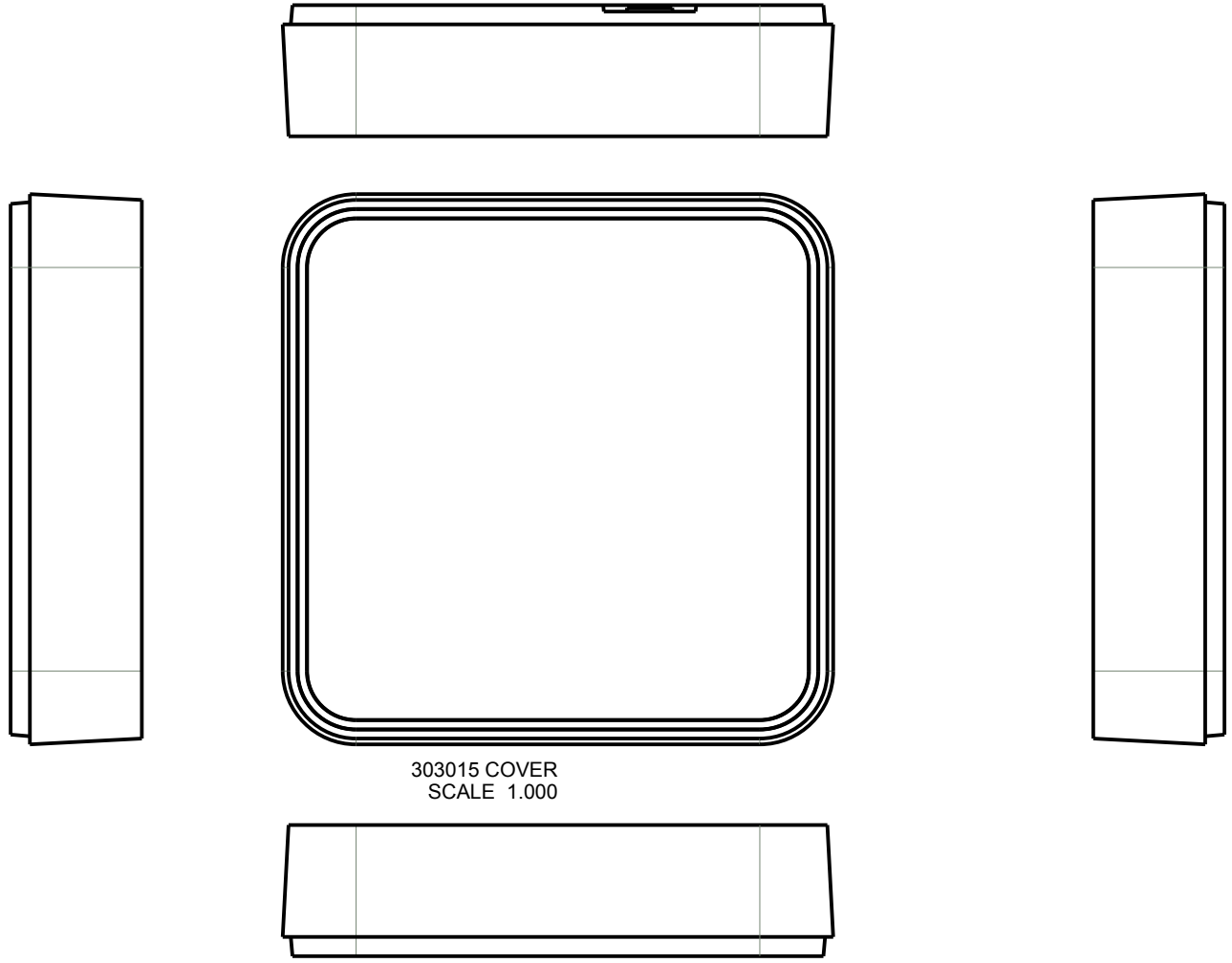
**NEW AGE ENCLOSURES**  
 2240 South Thornburg Street Santa Maria, CA. 93455  
 ph. (805) 595-1310 fax (805) 595-1024  
[www.newageenclosures.com](http://www.newageenclosures.com)

2 AA CUBE - STANDARD  
 SXX-303015X-XXX

SIZE	DRAWING NAME	SHEET	REV.DOC
A	303015_R2_0	8 OF 9	2.0

**303015 - 2nd OPERATION DETAILS**

NEW AGE ENCLOSURES DELIVERS YOUR ENCLOSURE MARKET-READY WITH IN-HOUSE CNC MACHINING, PAD PRINTING, ASSEMBLY, AND FULFILLMENT. ALL SURFACES AND AREAS ARE AVAILABLE FOR CNC ALTERATION BY NEW AGE ENCLOSURES CALL (805) 595-1310 FOR PRICING AND SCHEDULE. THE INSIDE RADIUS OF ANY MACHINED FEATURES SHOULD BE NO SMALLER THAN .031"



303015 COVER  
SCALE 1.000

TOLERANCES: UNLESS OTHERWISE SPECIFIED  
DIMENSIONS ARE IN U.S. INCHES.  
X.XX = .015 X.XXXX = .001  
X.XXX = .010 X.X° = 1°

NEW AGE ENCLOSURES  
Customer's Part No: 303015

**NEW AGE ENCLOSURES**  
2240 South Thornburg Street Santa Maria, CA. 93455  
ph. (805) 595-1310 fax (805) 595-1024  
www.newageenclosures.com

SXX-303015X-XXX COVER - ABS, BLACK					
STEP NO	DESCRIPTION	CUTTER	FIXTURE	ORIENTATION	PROGRAM
1-C-C1	-	T2 = .062" EM	419	-	-
2-C-C2	-	T2 = .062" EM	419	-	-

APPROVAL	BY	DATE
CHECK		
ENG.		
SCALE	AS NOTED	
DRAWN BY	M BOYER	
	2018-Oct-25	

2 AA CUBE - STANDARD SXX-303015X-XXX		SIZE	DRAWING NAME	SHEET	REV.DOC
		A	303015_R2_0	9 OF 9	2.0