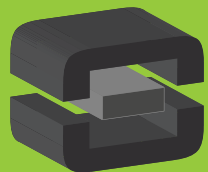


From Off-The-Shelf to Market-Ready© New Age Enclosures is your Single Source Solution.
Let us quote modifying our Stock Enclosures to meet your end-use.
visit newageenclosures.com/services or call 855-4NA-ENCL today.

CNC CUTOUTS
PART DECORATING
CUSTOM COLOR AND MATERIAL
RF/EMI SHIELDING
CUSTOM TOOL INSERTS
CUSTOM ENCLOSURES AND DESIGN



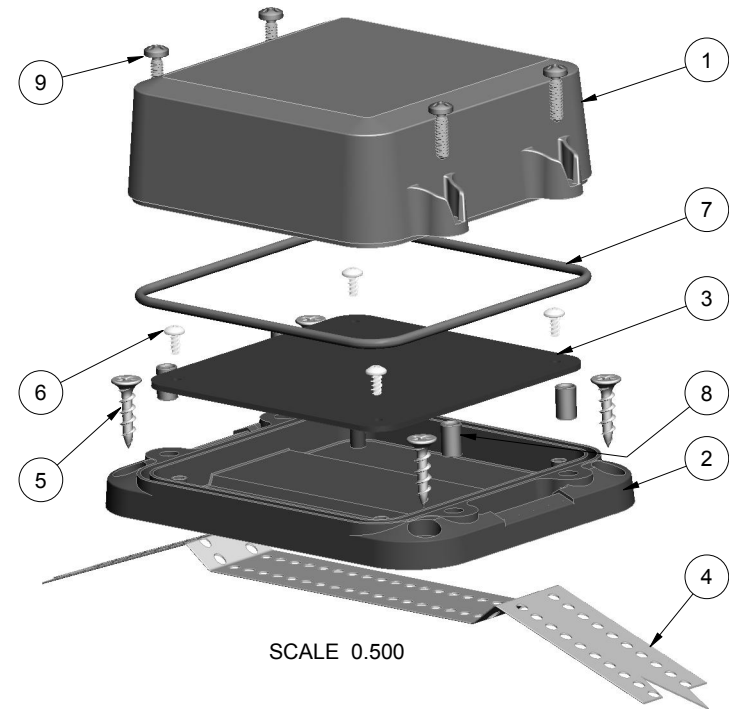
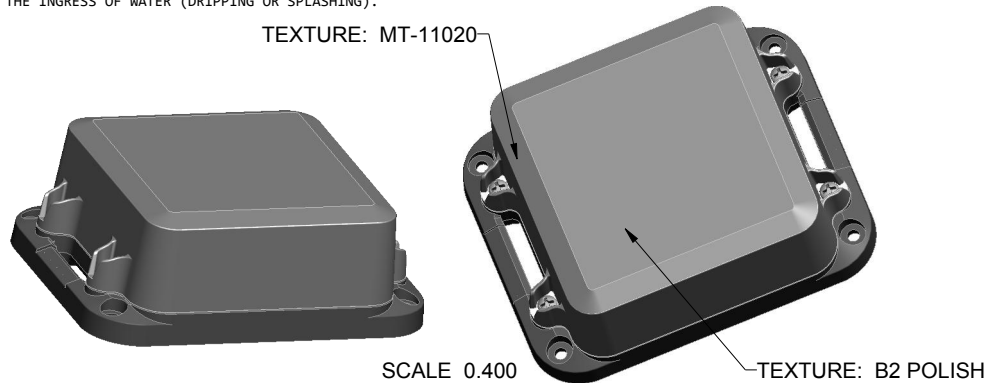
NEW AGE
ENCLOSURES

DEVELOP THE FUTURE



NOTES: UNLESS OTHERWISE SPECIFIED

1. CORNERS DRAWN SHARP TO BE R.010 MAXIMUM.
2. EXTERIOR SURFACE TEXTURE TO BE MT-11020, UNLESS SPECIFIED OTHERWISE. TEXTURE ON ENCLOSURE WILL VARY FROM TIME TO TIME AS THE TOOL WEARS AND IT BECOMES NECESSARY TO REAPPLY.
3. ALL INSIDE RADII .020R. UNLESS OTHERWISE SPECIFIED.
4. ALL EXTERNAL DIMENSIONS AFFECTED BY THE DRAFT APPLY AT THE LARGE END OF THE FEATURE, AND ALL INTERNAL FEATURES AFFECTED BY THE DRAFT APPLY AT THE SMALL END OF THE FEATURE UNLESS OTHERWISE SPECIFIED.
5. 1 DEGREE DRAFT IN THE DIRECTION OF PULL IS PERMISSIBLE UNLESS OTHERWISE SPECIFIED.
6. MATERIAL / COLOR: ASA PLASTIC IS STANDARD IN BLACK OR GRAY. SLIGHT COSMETIC SWIRLING, BLUSHING, AND/OR DISCOLORATION CAN OCCUR IN THIS ENCLOSURE DUE TO UV INHIBITORS IN THE RESIN. CUSTOM MATERIALS AND COLORS ARE AVAILABLE UPON REQUEST FOR QUOTE. ALTERNATE RESINS HAVE DIFFERENT SHRINK RATES, AND WILL EFFECT DIMENSIONS.
7. PCB SIZES ARE RECOMMENDATIONS ONLY. FINAL SIZES AND VERIFICATION OF ITS FIT ARE THE SOLE RESPONSIBILITY OF EACH CUSTOMER.
8. ASSEMBLY SCREWS FOR THE ENCLOSURE INCLUDED. MOUNTING SCREWS FOR THE PCB ARE CUSTOMER SUPPLIED.
9. THIS DRAWING IS BASED ON A SOLID MODEL, AND IS FURTHER DEFINED BY THE SOLID MODEL FILE.
10. ALLOWABLE FLASH: 0.010 MAX.
11. ALL EJECTOR PIN MARKS TO BE WITHIN 0.010" OF FLUSH, PROTRUDING OR BELOW FLUSH.
12. TRIM GATE WITHIN 0.030" OF FLUSH.
13. THIS ENCLOSURE IS CONSTRUCTED FOR INDOOR OR OUTDOOR USE TO PROVIDE A DEGREE OF PROTECTION TO THE EQUIPMENT INSIDE AGAINST THE INGRESS OF SOLID FOREIGN OBJECTS (FALLING DIRT); AND TO PROVIDE A DEGREE OF PROTECTION WITH RESPECT TO TO HARMFUL EFFECTS ON THE EQUIPMENT DUE TO THE INGRESS OF WATER (DRIPPING OR SPLASHING).

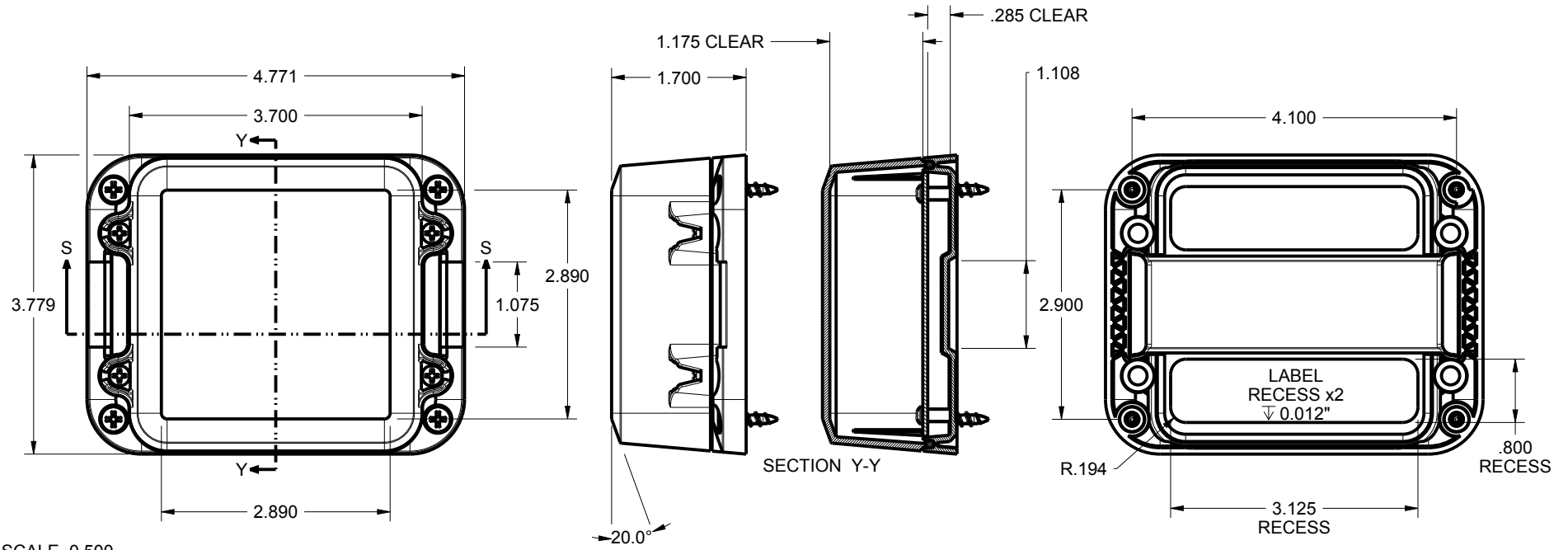


R E V I S I O N					
REV.	DRAWN BY	ECO No	DESCRIPTION	DATE	APPROVED
A	R CRUZ	DR XXX	PRELIMINARY RELEASE	07-Nov-2013	D.C.
			REVISIONS B-E ARCHIVED ON REV 3.0		
1.0	R CRUZ	0407	UPDATE TO AS-BUILT AND RELEASE	31-Oct-2014	D.C.
1.1	R CRUZ	02115	UPDATE NOTE 6	20-May-2015	D.C.
2.0	R CRUZ	03115	CHANGED O-RING COLOR FROM NATURAL TO BLUE	07-Jul-2015	D.C.
3.0	R CRUZ	00518	UPDATE O-RING AND NOTES, INCREASE COVER LIP	2018-Jun-07	D.C.
4.0	R CRUZ	01620	UPDATE NOTES 2 & 6, O-RING INFO, DECREASE LIP	2020-Sep-16	

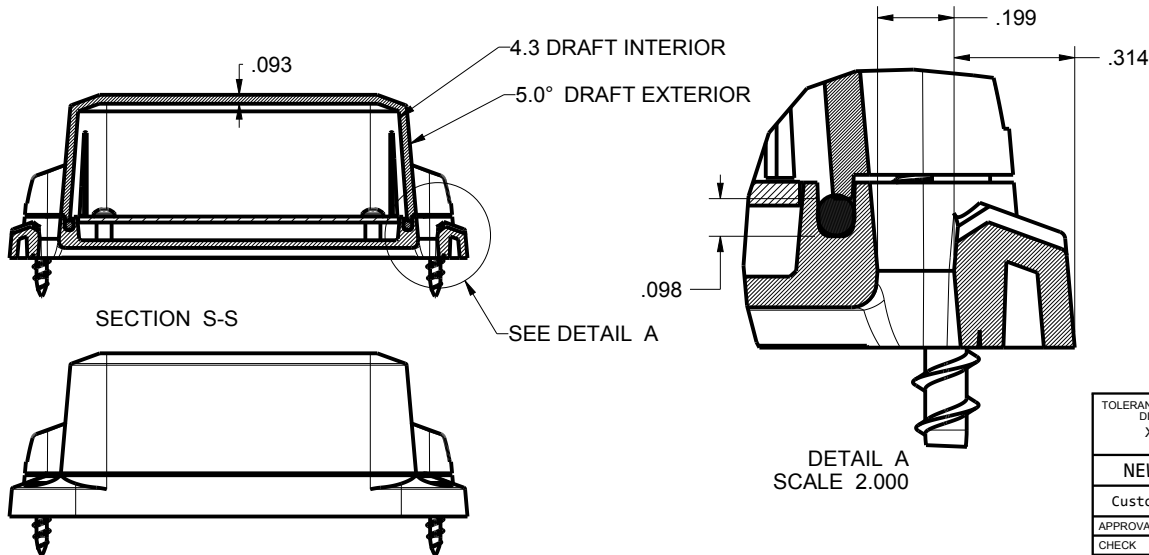
ITEM	FILE NAME	DESCRIPTION	MATERIAL	COLOR	QTY.
9	6-32_PHILLIPS_SCREW	6-32 PHILLIPS SCREW x .375"	18-8 STAINLESS	S-MS 6-32.375	4
8	6-32X344_BRASS-INSERT	6-32 BRASS INSERT x .344"	632x344MB	OVER-MOLDED	4
7	373717_ORING	OR-155 ORING	SHORE A	INCLUDED	1
6	SCREW_HILO-N04	#4 HiLo SCREW x .250"	ZINC PLATED	CUSTOMER SUPPLIED	4
5	SCREW-DRYWALLX750	DRYWALL SCREW	REFERENCE ONLY	CUSTOMER SUPPLIED	4
4	373717_STRAP	MOUNTING STRAP x 1.000" WIDE	REFERENCE ONLY	CUSTOMER SUPPLIED	1
3	373717_PCB	373717 PCB - REFERENCE	.062" THICK	CUSTOMER SUPPLIED	1
2	373717_WALL-BASE	373717 WALL BASE - STANDARD	ASA	BLACK or GRAY	1
1	373717_COVER	373717 COVER - STANDARD	ASA	BLACK or GRAY	1
BILL OF MATERIALS					

<p>THIRD ANGLE PROJECTION DO NOT SCALE DRAWING</p>	TOLERANCES: UNLESS OTHERWISE SPECIFIED DIMENSIONS ARE IN U.S. INCHES. X.XX = .015 X.XXXX = .001 X.XXX = .010 X.X" = 1°		NEW AGE ENCLOSURES 2240 South Thornburg Street Santa Maria, CA. 93455 ph. (805) 595-1310 fax (805) 595-1024 www.newageenclosures.com	
	Customer's Part No: 373717		STANDARD - OUTDOOR NODE SXX-373717-XXX	
APPROVAL BY DATE CHECK ENG.	SCALE AS NOTED	DRAWN BY R CRUZ DATE 2013-Nov-07	SIZE A DRAWING NAME 373717_R4_0	SHEET 1 OF 6 REV.DOC 4.0

373717 ASSEMBLY



SCALE 0.500



TOLERANCES: UNLESS OTHERWISE SPECIFIED
DIMENSIONS ARE IN U.S. INCHES.
X.XX = .015 X.XXXX = .001
X.XXX = .010 X.X' = 1°

NEW AGE ENCLOSURES

Customer's Part No: 373717

APPROVAL	BY	DATE
CHECK		
ENG.		
SCALE	AS NOTED	

DRAWN BY: R CRUZ
DATE: 2013-Nov-07

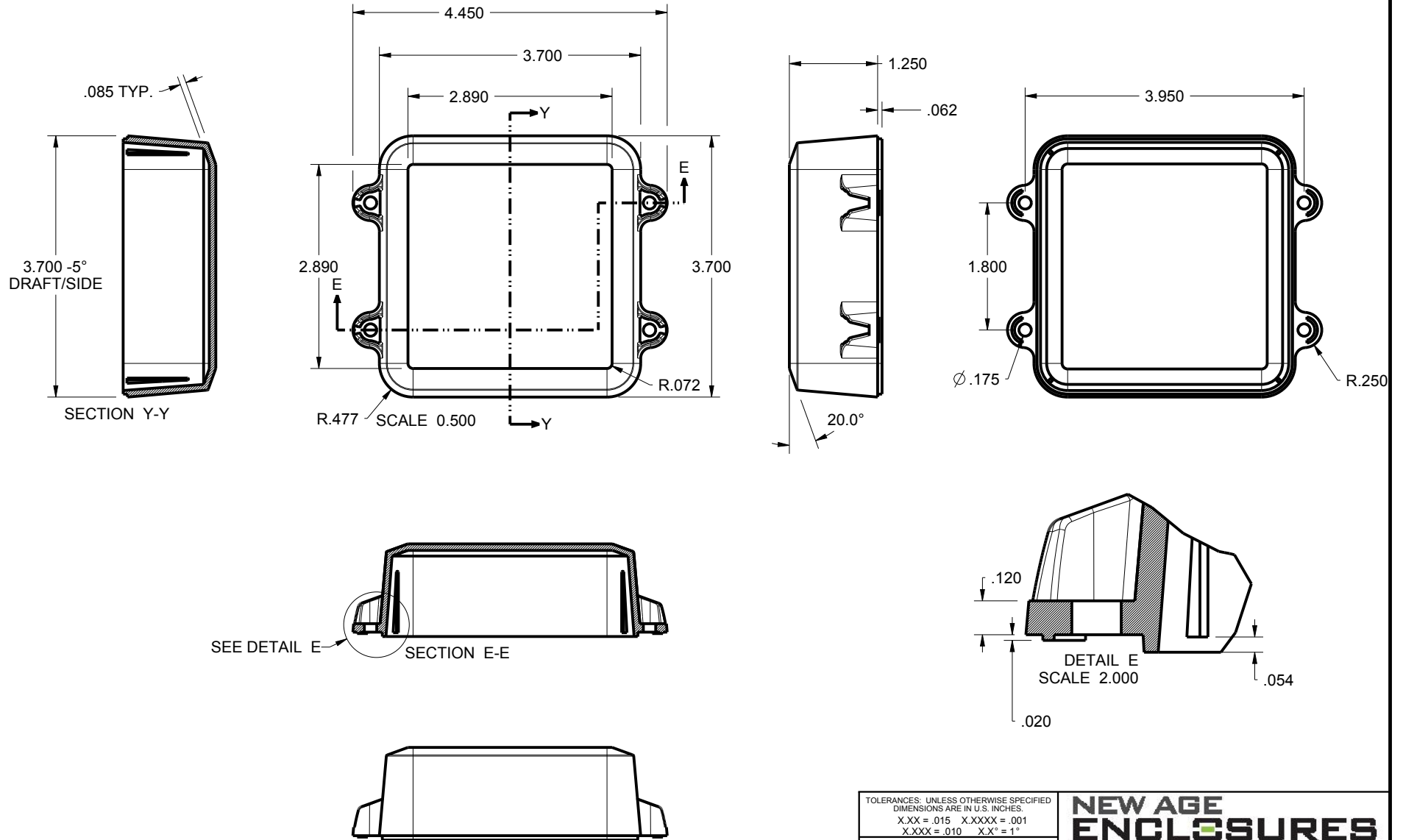
NEW AGE ENCLOSURES

2240 South Thornburg Street Santa Maria, CA. 93455
ph. (805) 595-1310 fax (805) 595-1024
www.newageenclosures.com

STANDARD - OUTDOOR NODE
SXX-373717-XXX

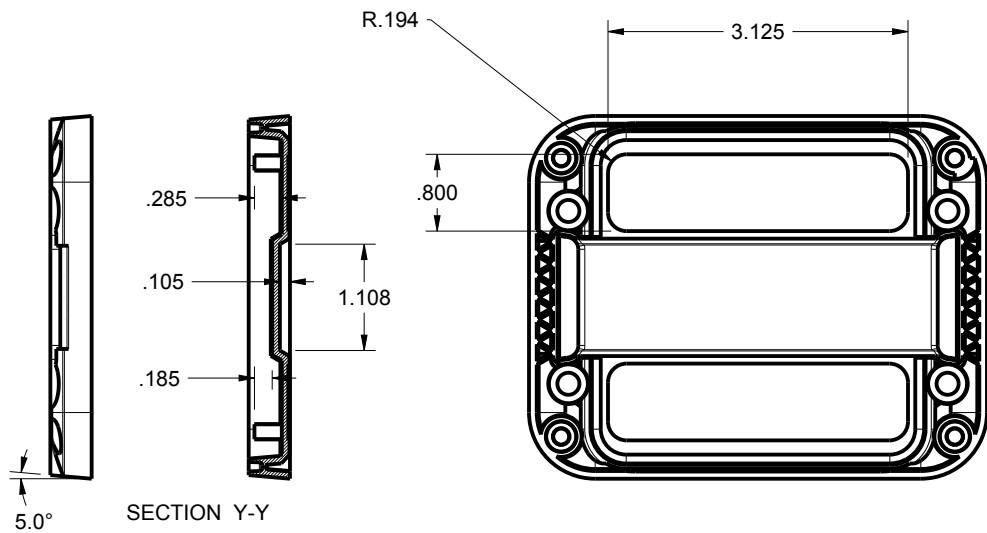
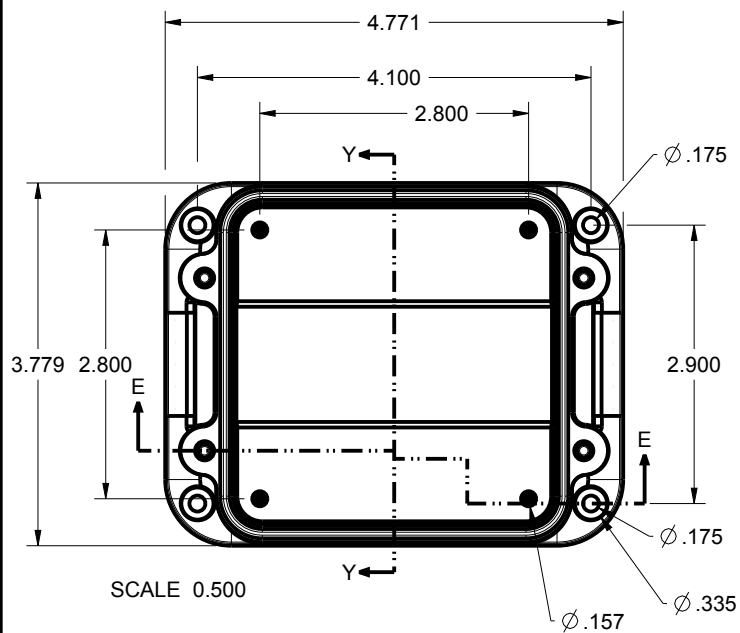
SIZE: A	DRAWING NAME: 373717_R4_0	SHEET: 2 OF 6	REV.DOC: 4.0
---------	---------------------------	---------------	--------------

373717 COVER



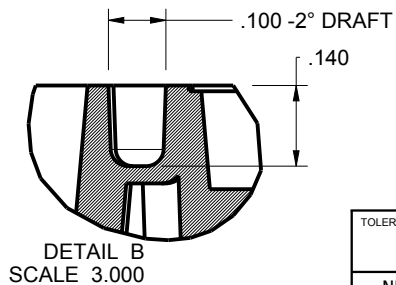
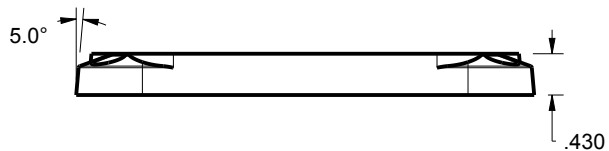
TOLERANCES: UNLESS OTHERWISE SPECIFIED DIMENSIONS ARE IN U.S. INCHES. X.XX = .015 X.XXXX = .001 X.XXX = .010 X.X° = 1°		NEW AGE ENCLOSURES	
Customer's Part No: 373717		2240 South Thornburg Street Santa Maria, CA. 93455 ph. (805) 595-1310 fax (805) 595-1024 www.newageenclosures.com	
APPROVAL	BY	DATE	STANDARD - OUTDOOR NODE SXX-373717-XXX
CHECK			
ENG.			
SCALE	AS NOTED		
DRAWN BY	SIZE	DRAWING NAME	SHEET
R CRUZ	A	373717_R4_0	3 OF 6
	2013-Nov-07		REV.DOC
			4.0

373717 WALL BASE



OVER-MOLDED BRASS INSERT
SEE B.O.M.
ON SHEET 1

SEE DETAIL B



TOLERANCES: UNLESS OTHERWISE SPECIFIED
DIMENSIONS ARE IN U.S. INCHES.
X.XX = .015 X.XXXX = .001
X.XXX = .010 XX° = 1°

NEW AGE ENCLOSURES
Customer's Part No: 373717

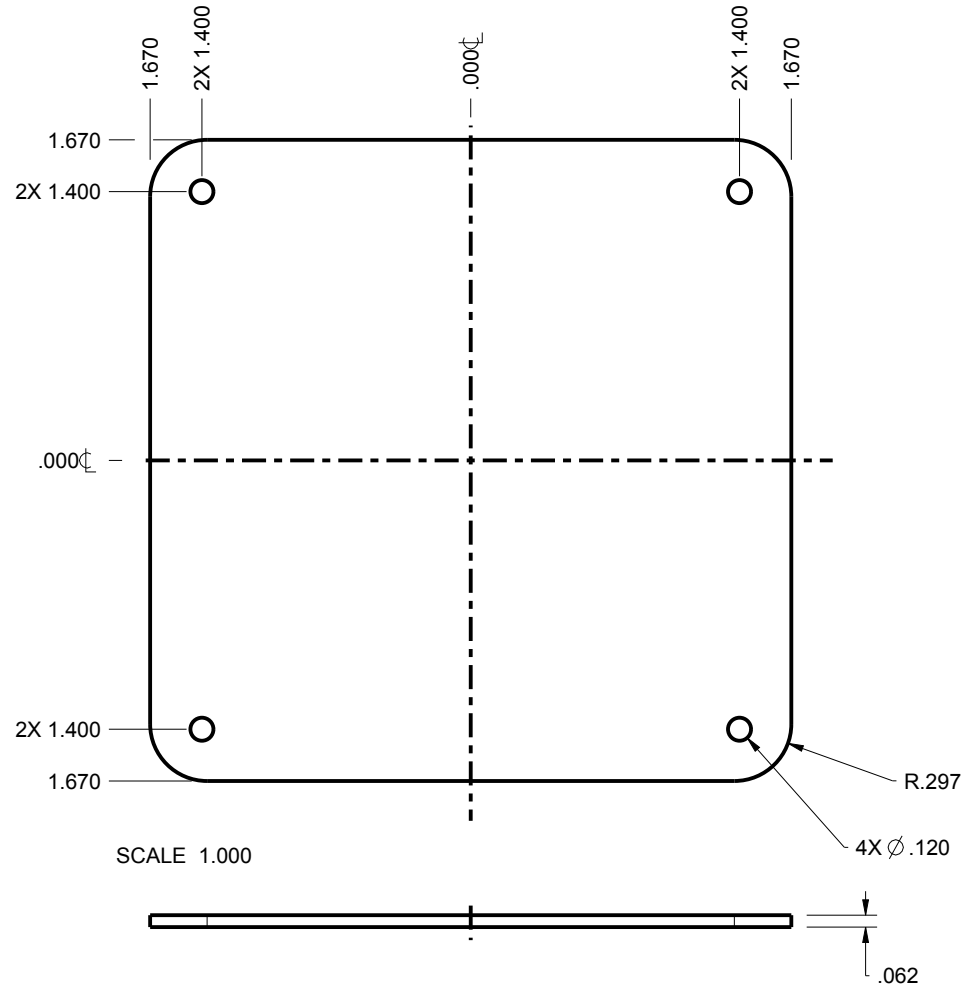
APPROVAL	BY	DATE
CHECK		
ENG.		
SCALE	AS NOTED	
DRAWN BY	2013-Nov-07	
R CRUZ		

NEW AGE ENCLOSURES
2240 South Thornburg Street Santa Maria, CA. 93455
ph. (805) 595-1310 fax (805) 595-1024
www.newageenclosures.com

**STANDARD - OUTDOOR NODE
SXX-373717-XXX**

SIZE	DRAWING NAME	SHEET	REV.DOC
A	373717_R4_0	4 OF 6	4.0

373717 PCB - CUSTOMER SUPPLIED
 PCB SIZES ARE RECOMMENDATIONS ONLY. FINAL
 SIZES AND VERIFICATION OF ITS FIT ARE THE
 SOLE RESPONSIBILITY OF THE OEM.

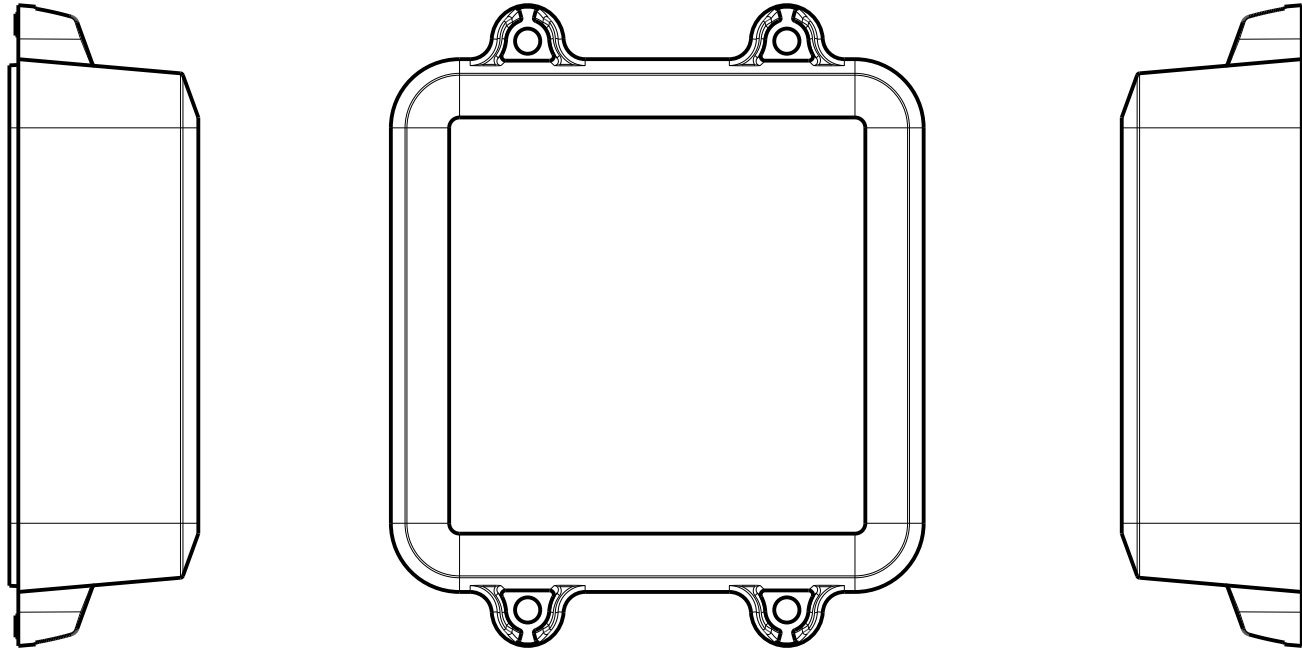


TOLERANCES: UNLESS OTHERWISE SPECIFIED DIMENSIONS ARE IN U.S. INCHES.	
X.XX = .015 X.XXXX = .001	
X.XXX = .010 X.X° = 1°	
NEW AGE ENCLOSURES	
Customer's Part No: 373717	
APPROVAL	BY DATE
CHECK	
ENG.	
SCALE	AS NOTED
DRAWN BY	2013-Nov-07
R CRUZ	

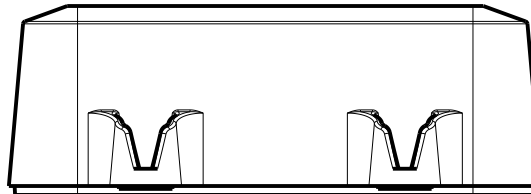
NEW AGE ENCLOSURES
 2240 South Thornburg Street Santa Maria, CA. 93455
 ph. (805) 595-1310 fax (805) 595-1024
www.newageenclosures.com

STANDARD - OUTDOOR NODE		SHEET	REV.DOC
SXX-373717-XXX		5 OF 6	4.0
SIZE	DRAWING NAME		
A	373717_R4_0		

373717 - 2nd OPERATION DETAILS
 NEW AGE ENCLOSURES DELIVERS YOUR ENCLOSURE MARKET-READY WITH IN-HOUSE
 CNC MACHINING, PAD PRINTING, ASSEMBLY, AND FULFILLMENT.
 ALL SURFACES AND AREAS ARE AVAILABLE FOR CNC ALTERATION BY NEW AGE ENCLOSURES
 CALL (805) 595-1310 FOR PRICING AND SCHEDULE.
 THE INSIDE RADIUS OF ANY MACHINED FEATURES SHOULD BE NO SMALLER THAN .031"



373717 COVER
SCALE 0.750



SXL-373713-XXX COVER - ASA, BLACK

STEP NO	DESCRIPTION	CUTTER	FIXTURE	ORIENTATION	PROGRAM
1-C-C1	-	T2 = .062" EM	298	-	-
2-C-C2	-	T2 = .062" EM	298	-	-
3-C-C3	-	T2 = .062" EM	298	-	-

SXL-373713-XXX COVER - ASA, BLACK

STEP	TYPE	FIXTURE	INK COLOR	CLICHE DESCRIPTION	CLICHE No.
4-C-P1	PAD PRINT	299	WHITE	LOGO AND LABELS	CLXXXXn R1

TOLERANCES: UNLESS OTHERWISE SPECIFIED
 DIMENSIONS ARE IN U.S. INCHES.
 X.XX = .015 X.XXXX = .001
 X.XXX = .010 XX° = 1°

Customer's Part No: 373717

APPROVAL	BY	DATE
CHECK		
ENG.		
SCALE	AS NOTED	
DRAWN BY	R CRUZ	
	2013-Nov-07	

NEW AGE ENCLOSURES

2240 South Thornburg Street Santa Maria, CA. 93455
 ph. (805) 595-1310 fax (805) 595-1024
www.newageenclosures.com

**STANDARD - OUTDOOR NODE
 SXX-373717-XXX**

SIZE	DRAWING NAME	SHEET	REV.DOC
A	373717_R4_0	6 OF 6	4.0