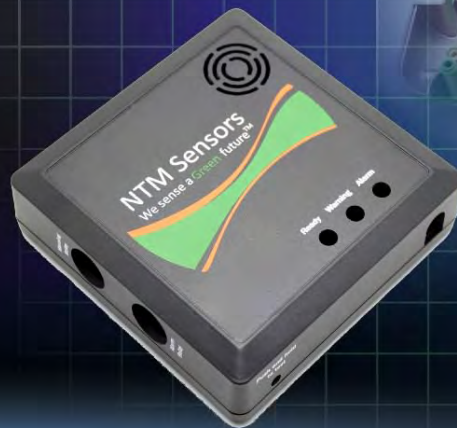
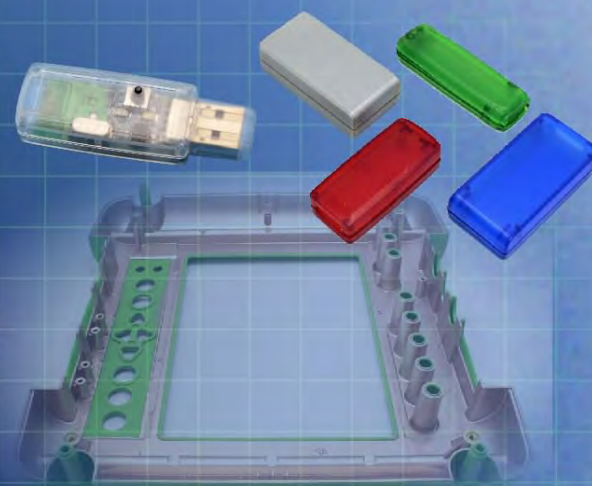


Ordering a market-ready enclosure® is made fast and affordable with our complete in-house capabilities. New Age provides machined openings to fit your PCB, pad printing for your graphics, custom enclosures, custom colors, final assembly, testing and fulfillment services to save you additional time and money. Ask your representative for a free quote today 805-595-1310.

## ***Fast and Affordable Customization***

**CNC Modifications  
Pad Printing  
Colored Resins  
EMI/RF Shielding  
Custom Enclosure  
Assembly & Testing**



ISO quality  
off-the-shelf  
to market-ready®

# **NEW AGE ENCLOSURES**

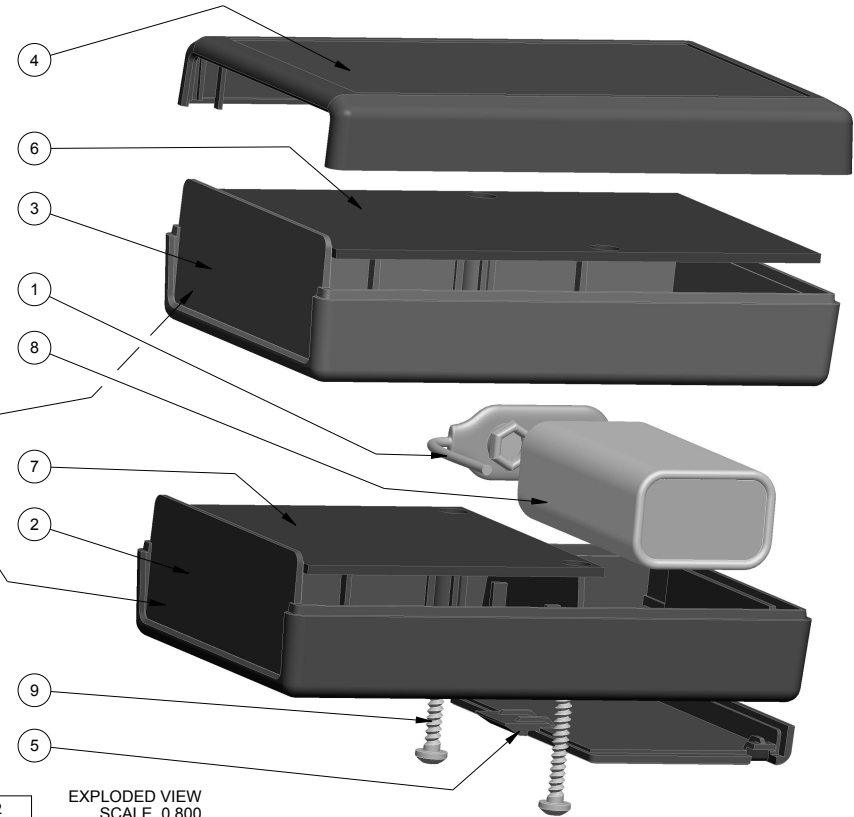
[www.NewAgeEnclosures.com](http://www.NewAgeEnclosures.com)

4330 Santa Fe Road • San Luis Obispo, CA 93401 • T 805.595.1310 • F 805.595.1024

NOTES: UNLESS OTHERWISE SPECIFIED

1. CORNERS DRAWN SHARP TO BE R.005 MAXIMUM.
2. EXTERIOR SURFACE TEXTURE TO BE LIGHT EDM FINISH. EQUIVELANT TO MT-11020 UNLESS OTHERWISE SPECIFIED.
3. INTERIOR SURFACE TEXTURE: NONE.
4. ALL INSIDE RADII .010R. ALL OUTSIDE RADII .020R MAX, UNLESS OTHERWISE SPECIFIED.
5. ALL EXTERNAL DIMENSIONS AFFECTED BY THE DRAFT APPLY AT THE LARGE END OF THE FEATURE, AND ALL INTERNAL FEATURES AFFECTED BY THE DRAFT APPLY AT THE SMALL END OF THE FEATURE UNLESS OTHERWISE SPECIFIED.
6. 1 DEGREE DRAFT IN THE DIRECTION OF PULL IS PERMISSIBLE UNLESS OTHERWISE SPECIFIED.
7. MATERIAL / COLOR: ABS PLASTIC IS STANDARD IN BLACK OR WHITE. CUSTOM MATERIALS AND COLORS MAY BE AVAILABLE UPON REQUEST FOR QUOTE.
8. PCB SIZES ARE RECOMMENDATIONS ONLY. FINAL SIZES AND VERIFICATION OF IT'S FIT ARE THE SOLE RESPONSIBILITY OF EACH OEM.
9. CUSTOM LABEL RECESSES MAY BE AVAILABLE UPON REQUEST FOR QUOTE.
10. ASSEMBLY HARDWARE PROVIDED.

R E V I S I O N					
REV.	DRAWN BY	ECO No	DESCRIPTION	DATE	APPROVED
A-G	M BOYER		PRELIMINARY DESIGN	21-Jul-09	D.C.
1.0	M BOYER	N/A	RELEASED	02-Jun-10	D.C.
2.0	M BOYER	2410	EXTEND INSIDE WALL ON BATTERY BASE	01-Jul-10	D.C.
2.1	M BOYER	5310	UPDATE BATTERY CLIP PART NO.	13-Dec-10	D.C.
3.0	M BOYER	5314	REMOVE WALL BASE OPTION	23-Jan-15	D.C.
4.0	M BOYER	04315	REVISE PCB POST HOLE DIA.	2015-Sep-03	



TWO ALTERNATE BASES AND PCB CONFIGURATIONS SHOWN. SEE CONFIG TABLE OR ASK SALES REPRESENTATIVE FOR INFORMATION

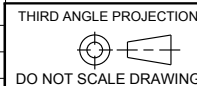
S382410(x) CONFIGURATIONS		
	-S	-B
S382410 COVER	1	1
S382410 BASE	1	
S382410 BATTERY BASE		1
S382410 HATCH		1
S382410 SHORT PCB		1*
S382410 LONG PCB	1*	
#4 HiLo SCREW .750"	2	2
#4 HiLo SCREW .375"		
9 VOLT CLIP		1**

\* = REFERENCE ONLY  
\*\* = SOLD SEPERATELY

9	NO_4_750_SCREW	N04 HILO .750	5-HiLo x 3/4"	ZINC PLATED	2
8	BATTERY-9V	9 VOLT BATTERY	REFERENCE ONLY	CUSTOMER SUPPLIED	1
7	S382410-PCB-SHORT	S382410 PCB	.062" THICK	CUSTOMER SUPPLIED	1
6	S382410-PCB-LONG	S382410 PCB	.062" THICK	CUSTOMER SUPPLIED	1
5	S382410-HATCH	S382410 HATCH - STANDARD	ABS	BLACK or WHITE	1
4	S382410-COVER	S382410 COVER - STANDARD	ABS	BLACK or WHITE	1
3	S382410-BASE_NOBATT	S382410 BASE - STANDARD	ABS	BLACK or WHITE	1
2	S382410-BASE	S382410 BATTERY BASE - STANDARD	ABS	BLACK or WHITE	1
1	BATTERY-CONTACT-9V	ACC-9VCLIP-233M	9V CLIP 6" LEAD	BLACK	1
#	FILE NAME	DESCRIPTION	MATERIAL	COLOR	QTY.

BILL OF MATERIALS

EXPLODED VIEW  
SCALE 0.800



DO NOT SCALE DRAWING

NOTICE: THE INFORMATION AND DATA CONTAINED HEREIN IS CONSIDERED PROPRIETARY TO ALLTEC INTEGRATED MFG INC & SHALL REMAIN THE EXCLUSIVE PROPERTY OF ALLTEC INTEGRATED MFG INC. THE HOLDER WILL ASSUME CUSTODY AND CONTROL THAT THIS DOCUMENT WILL NOT BE COPIED, REPRODUCED, OR DISCLOSED WITHOUT THE EXPRESS WRITTEN CONSENT OF ALLTEC INTEGRATED MFG INC. THIS DOCUMENT DOES NOT CONSTITUTE A GRANT TO MANUFACTURE ANY ITEMS.  
© 2010

TOLERANCES: UNLESS OTHERWISE SPECIFIED  
DIMENSIONS ARE IN U.S. INCHES.  
X.XXX = .015 X.XXXX = .001  
X.XXX = .010 X.X" = 1°

NEW AGE ENCLOSURES

Customer's Part No: 382410

APPROVAL	BY	DATE
CHECK		
ENG.		
SCALE		

DRAWN BY  
M BOYER  
21-Jul-09

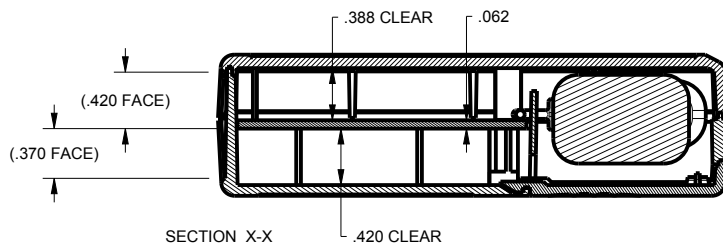
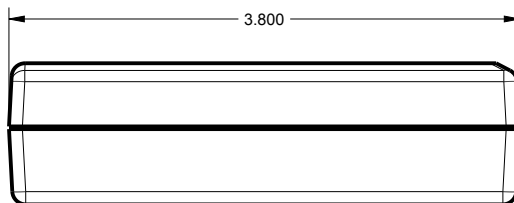
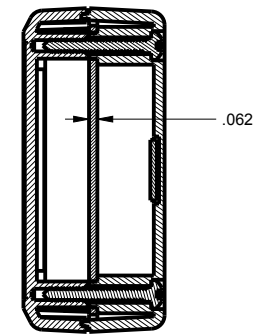
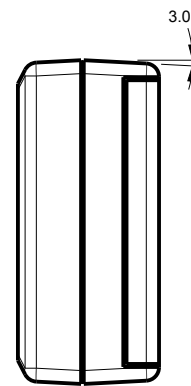
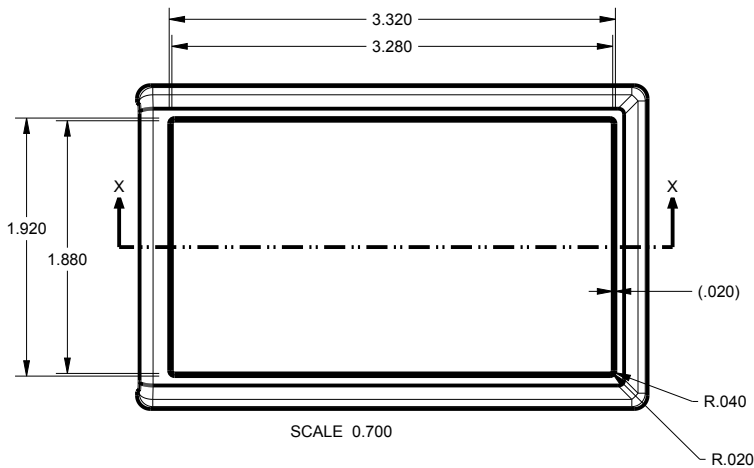
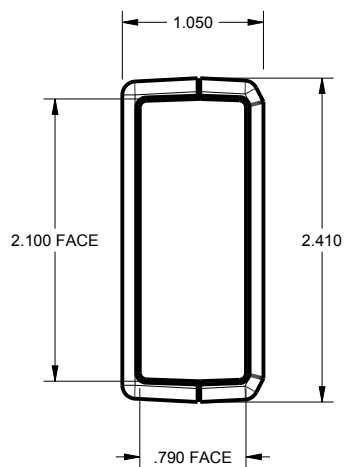
**NEW AGE ENCLOSURES**

4330 Santa Fe Road San Luis Obispo, CA. 93401  
ph. (805) 595-1310 fax (805) 595-1024

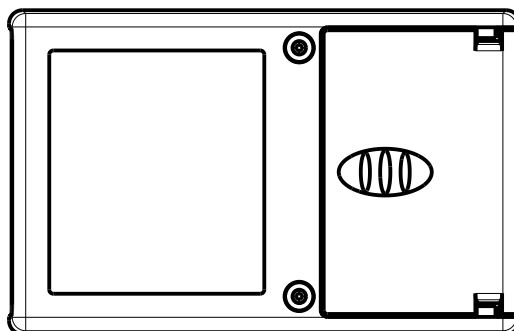
www.newageenclosures.com

**STANDARD - 9V HANDHELD  
SXX-382410X-XXX**

SIZE	DRAWING NAME	SHEET	REV.DOC
A	382410_R4_0	1 OF 8	4.0



SCALE 0.700



TOLERANCES: UNLESS OTHERWISE SPECIFIED  
DIMENSIONS ARE IN U.S. INCHES.  
X.XX = .015 X.XXXX = .001  
X.XXX = .010 X.X° = 1°

**NEW AGE ENCLOSURES**

NEW AGE ENCLOSURES

4330 Santa Fe Road San Luis Obispo, CA. 93401  
ph. (805) 595-1310 fax (805) 595-1024

Customer's Part No: 382410

[www.newageenclosures.com](http://www.newageenclosures.com)

APPROVAL	BY	DATE
CHECK		
ENG.		
SCALE		

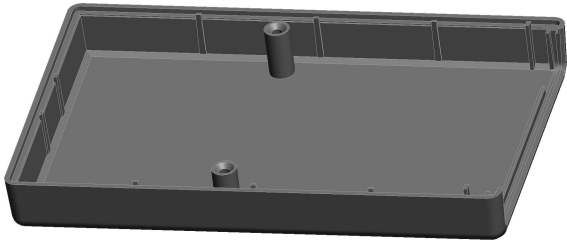
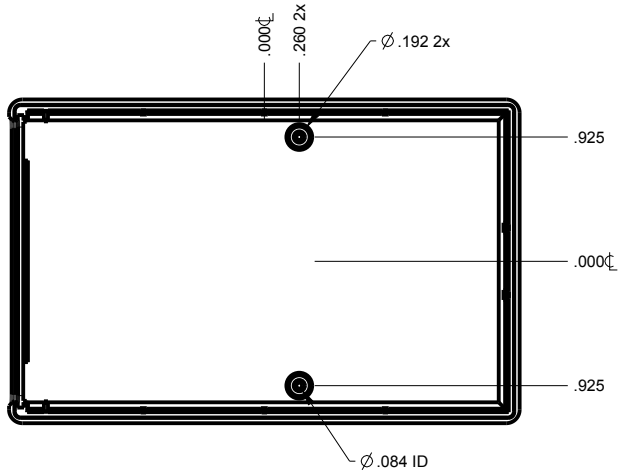
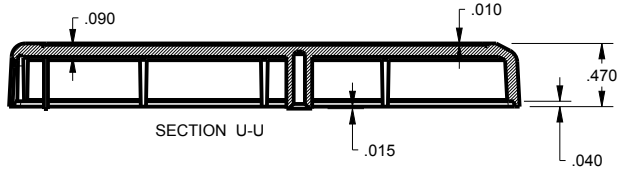
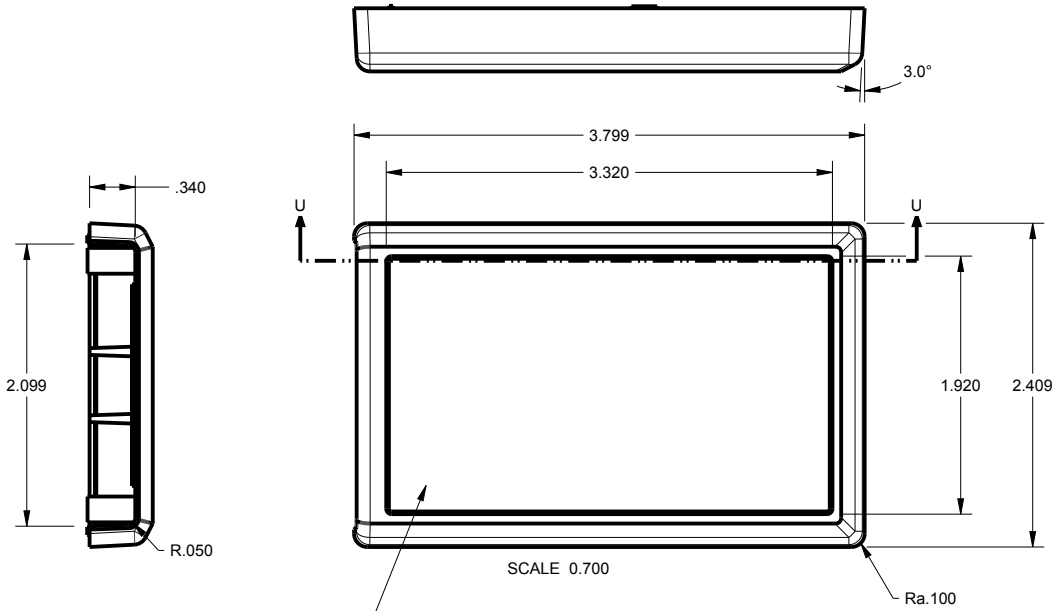
**STANDARD - 9V HANDHELD  
SXX-382410X-XXX**

DRAWN BY  
M BOYER 21-Jul-09

SIZE A DRAWING NAME  
382410\_R4\_0

SHEET 2 OF 8 REV.DOC 4.0

# 382410 COVER



SCALE 0.700

TOLERANCES: UNLESS OTHERWISE SPECIFIED  
DIMENSIONS ARE IN U.S. INCHES.  
X.XX = .015 X.XXXX = .001  
X.XXX = .010 X.X° = 1°

NEW AGE ENCLOSURES

Customer's Part No: 382410

APPROVAL	BY	DATE
CHECK		
ENG.		
SCALE		

DRAWN BY  
M BOYER 21-Jul-09

**NEW AGE ENCLOSURES**

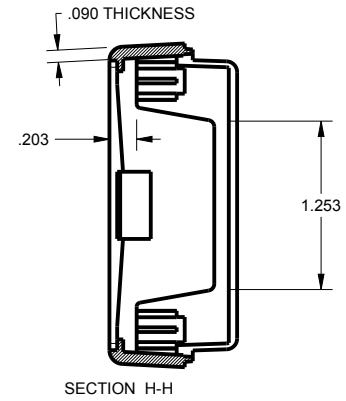
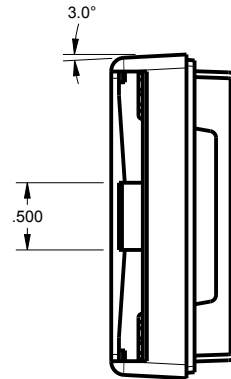
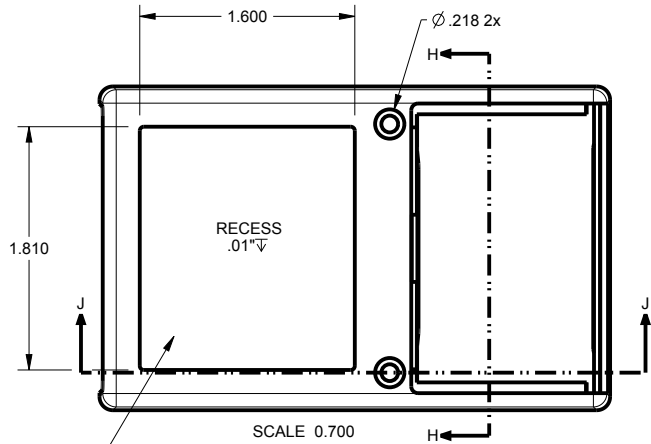
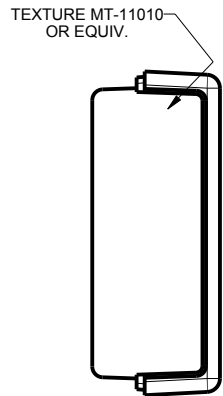
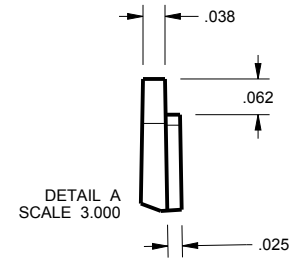
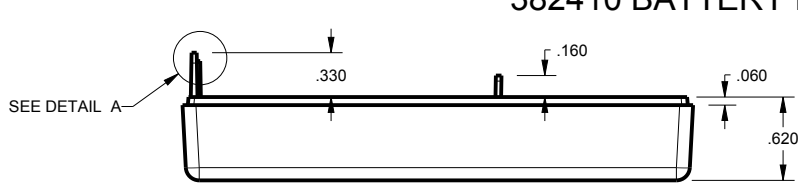
4330 Santa Fe Road San Luis Obispo, CA. 93401  
ph. (805) 595-1310 fax (805) 595-1024  
[www.newageenclosures.com](http://www.newageenclosures.com)

**STANDARD - 9V HANDHELD  
SXX-382410X-XXX**

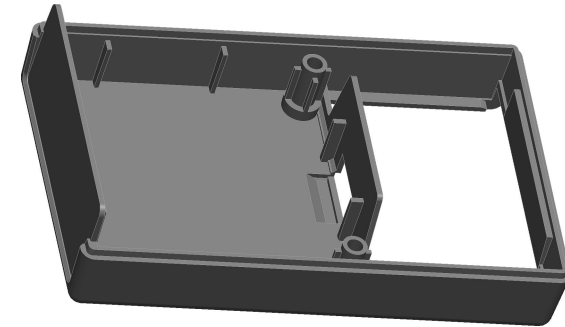
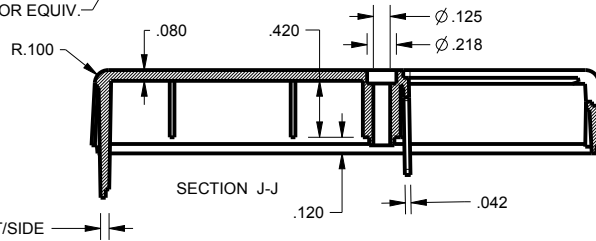
SIZE A DRAWING NAME 382410\_R4\_0

SHEET 3 OF 8 REV.DOC 4.0

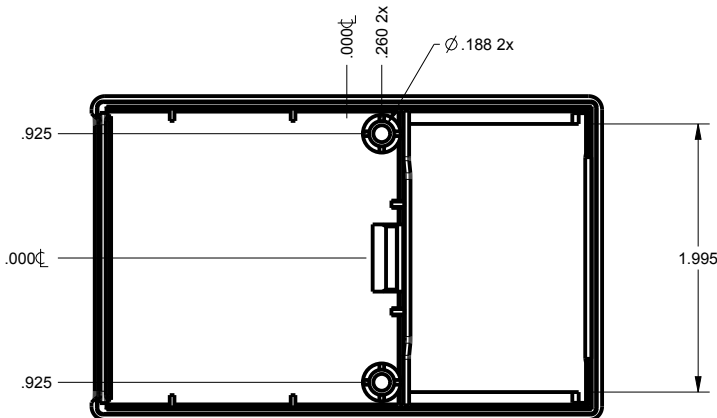
# 382410 BATTERY BASE



RECESS TEXTURE MT-11010 OR EQUIV.



SCALE 0.700



TOLERANCES: UNLESS OTHERWISE SPECIFIED DIMENSIONS ARE IN U.S. INCHES.

X.XX = .015 X.XXXX = .001  
X.XXX = .010 X.X° = 1°

NEW AGE ENCLOSURES

Customer's Part No: 382410

**NEW AGE ENCLOSURES**  
4330 Santa Fe Road San Luis Obispo, CA. 93401  
ph. (805) 595-1310 fax (805) 595-1024  
[www.newageenclosures.com](http://www.newageenclosures.com)

APPROVAL	BY	DATE
CHECK		
ENG.		
SCALE		

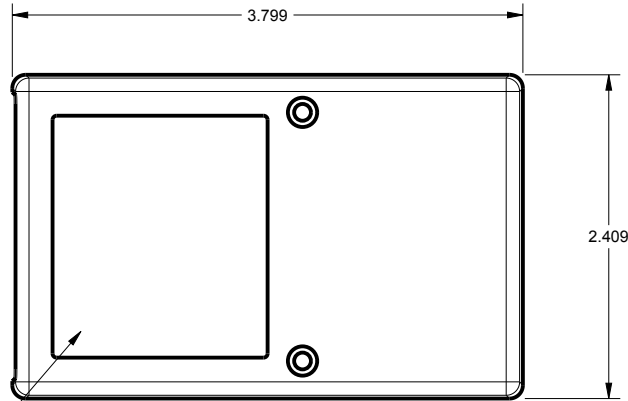
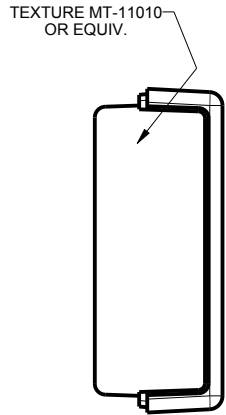
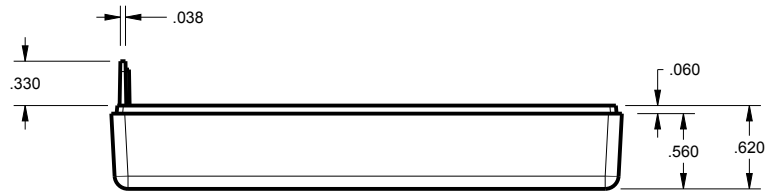
**STANDARD - 9V HANDHELD  
SXX-382410X-XXX**

DRAWN BY	21-Jul-09
M BOYER	

SIZE	DRAWING NAME
A	382410_R4_0

SHEET	REV.DOC
4 OF 8	4.0

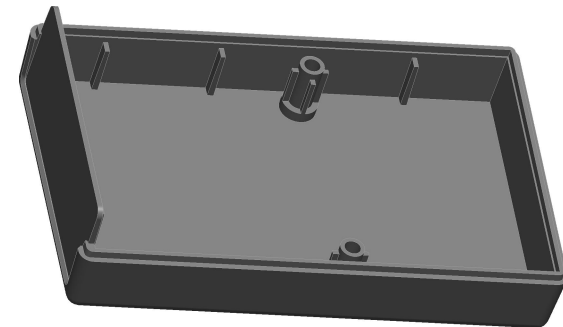
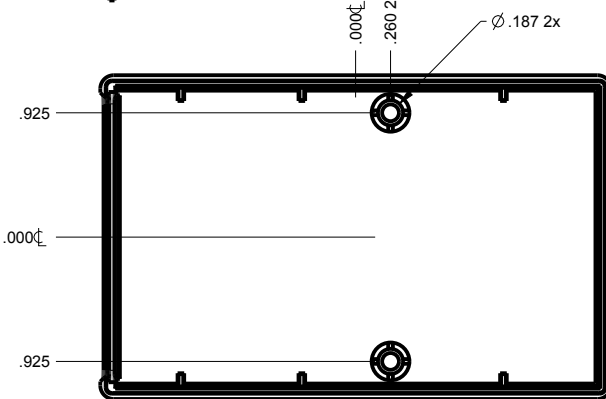
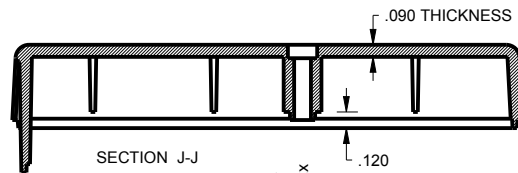
# 382410 BASE



SCALE 0.700



RECESS TEXTURE MT-11010 OR EQUIV.



SCALE 0.700

TOLERANCES: UNLESS OTHERWISE SPECIFIED  
DIMENSIONS ARE IN U.S. INCHES.  
X.XX = .015 X.XXXX = .001  
X.XXX = .010 X.X° = 1°

NEW AGE ENCLOSURES

Customer's Part No: 382410

APPROVAL	BY	DATE
CHECK		
ENG.		
SCALE		

DRAWN BY  
M BOYER 21-Jul-09

**NEW AGE ENCLOSURES**

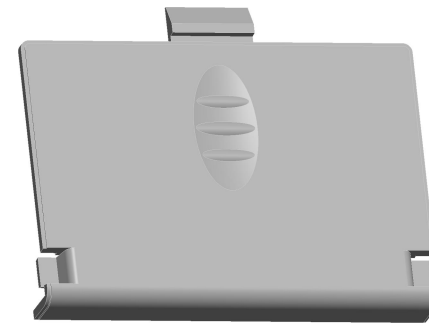
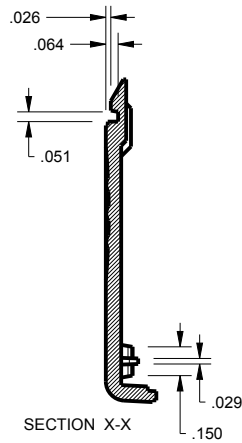
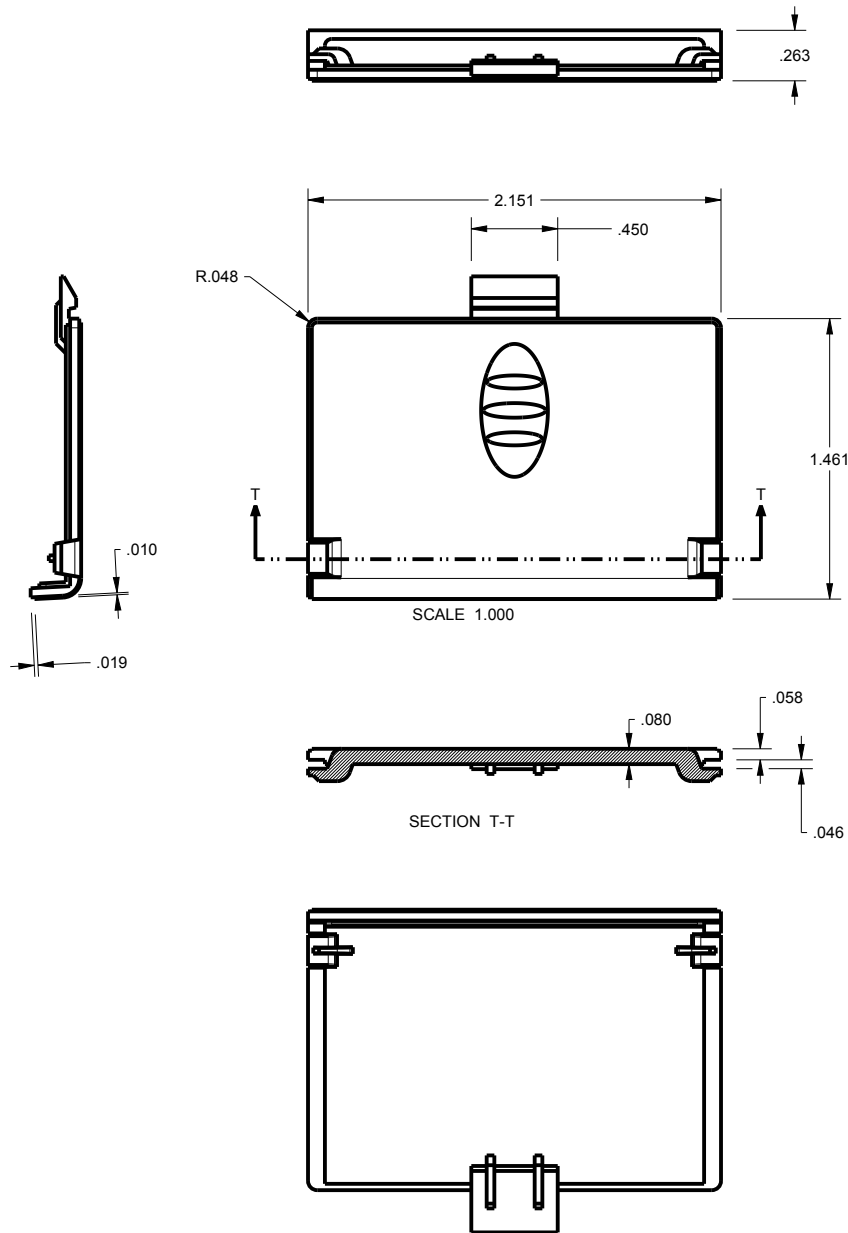
4330 Santa Fe Road San Luis Obispo, CA. 93401  
ph. (805) 595-1310 fax (805) 595-1024  
[www.newageenclosures.com](http://www.newageenclosures.com)

**STANDARD - 9V HANDHELD  
SXX-382410X-XXX**

SIZE A	DRAWING NAME 382410_R4_0	SHEET 5 OF 8	REV.DOC 4.0
-----------	-----------------------------	-----------------	----------------



# 382410 BATTERY HATCH



SCALE 1.000

TOLERANCES: UNLESS OTHERWISE SPECIFIED  
DIMENSIONS ARE IN U.S. INCHES.

X.XX = .015 X.XXXX = .001  
X.XXX = .010 X.X° = 1°

NEW AGE ENCLOSURES

Customer's Part No: 382410

APPROVAL	BY	DATE
CHECK		
ENG.		
SCALE		

DRAWN BY  
M BOYER

21-Jul-09

**NEW AGE ENCLOSURES**

4330 Santa Fe Road San Luis Obispo, CA. 93401  
ph. (805) 595-1310 fax (805) 595-1024  
[www.newageenclosures.com](http://www.newageenclosures.com)

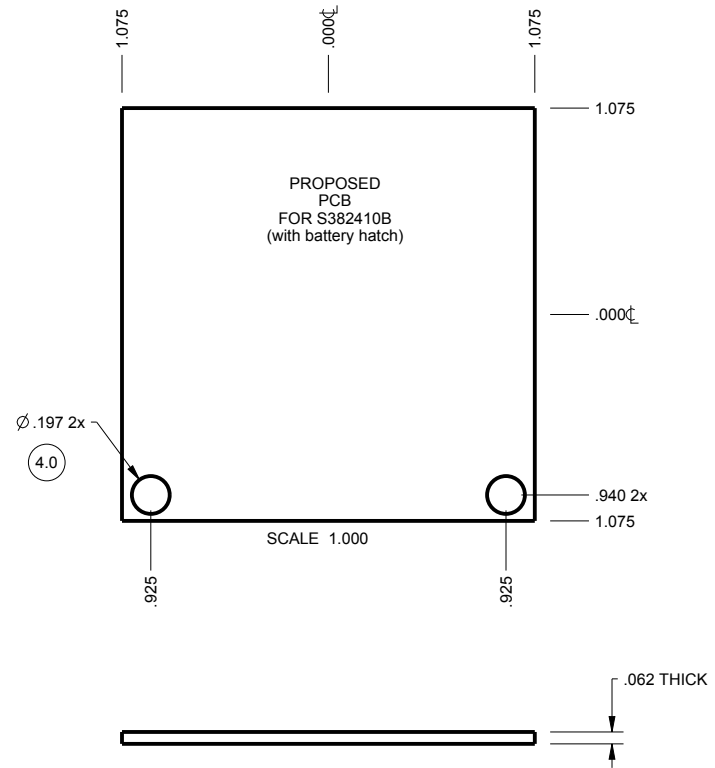
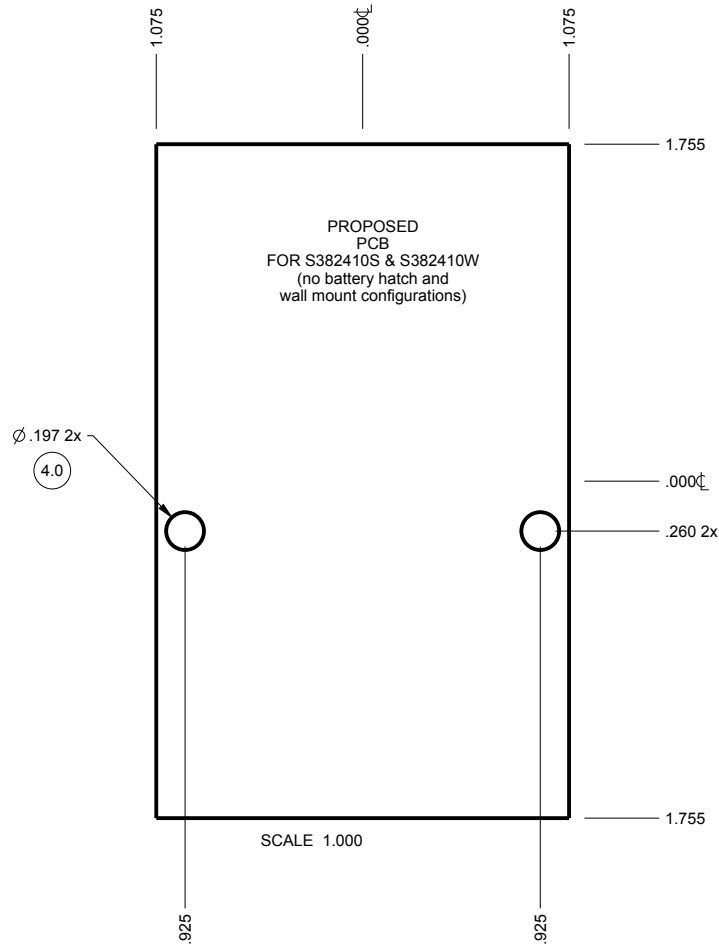
STANDARD - 9V HANDHELD  
SXX-382410X-XXX

SIZE A DRAWING NAME 382410\_R4\_0

SHEET 6 OF 8 REV.DOC 4.0

# P382410 PCB - CUSTOMER SUPPLIED

PCB SIZES ARE RECOMMENDATIONS ONLY. FINAL SIZES AND VERIFICATION OF IT'S FIT ARE THE SOLE RESPONSIBILITY OF THE OEM.



TOLERANCES: UNLESS OTHERWISE SPECIFIED DIMENSIONS ARE IN U.S. INCHES.  
 X.XX = .015 X.XXXX = .001  
 X.XXX = .010 X.X° = 1°

NEW AGE ENCLOSURES

Customer's Part No: 382410

APPROVAL	BY	DATE
CHECK		
ENG.		
SCALE		

DRAWN BY  
M BOYER 21-Jul-09

**NEW AGE ENCLOSURES**

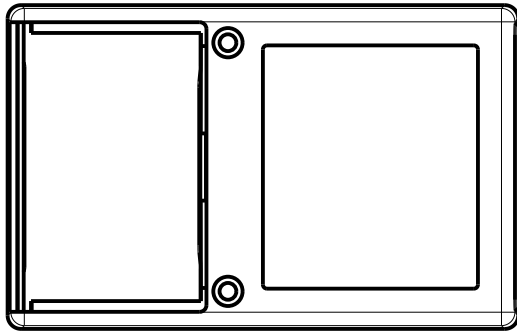
4330 Santa Fe Road San Luis Obispo, CA. 93401  
 ph. (805) 595-1310 fax (805) 595-1024  
[www.newageenclosures.com](http://www.newageenclosures.com)

STANDARD - 9V HANDHELD  
 SXX-382410X-XXX

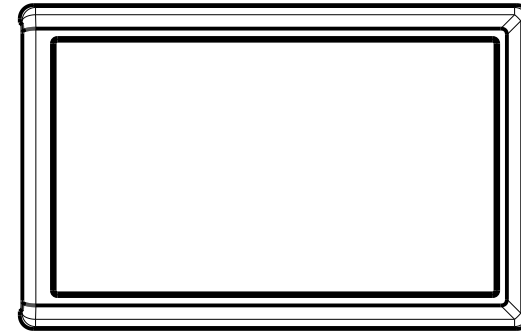
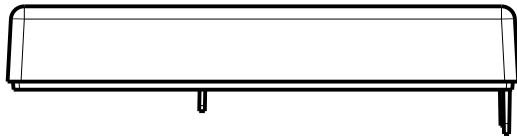
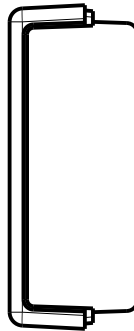
SIZE A	DRAWING NAME 382410_R4_0	SHEET 7 OF 8	REV.DOC 4.0
-----------	-----------------------------	-----------------	----------------

## 2nd OPERATION DETAILS

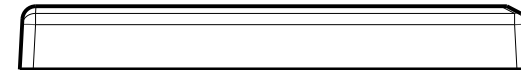
NEW AGE ENCLOSURES DELIVERS YOUR ENCLOSURE MARKET-READY WITH IN-HOUSE  
CNC MACHINING, PAD PRINTING, ASSEMBLY, AND FULFILLMENT.  
ALL SURFACES AND AREAS ARE AVAILABLE FOR CNC ALTERATION BY NEW AGE ENCLOSURES  
CALL (805) 595-1310 FOR PRICING AND SCHEDULE.  
THE INSIDE RADIUS OF ANY MACHINED FEATURES SHOULD BE NO SMALLER THAN .031"



S382410 BATTERY BASE  
SCALE 0.700



S382410 COVER  
SCALE 0.700



TOLERANCES: UNLESS OTHERWISE SPECIFIED  
DIMENSIONS ARE IN U.S. INCHES.  
X.XX = .015 X.XXXX = .001  
X.XXX = .010 X.X° = 1°

NEW AGE ENCLOSURES

Customer's Part No: 382410

**NEW AGE ENCLOSURES**

4330 Santa Fe Road San Luis Obispo, CA. 93401  
ph. (805) 595-1310 fax (805) 595-1024  
[www.newageenclosures.com](http://www.newageenclosures.com)

**STANDARD - 9V HANDHELD  
SXX-382410X-XXX**

### SXX-382410X-XXX COVER - ABS, BLACK

STEP NO	DESCRIPTION	CUTTER	FIXTURE	ORIENTATION	PROGRAM
1-C-C1	-	T2 = .062" EM	231	-	-
2-C-C2	-	T2 = .062" EM	231	-	-
3-C-C3	-	T2 = .062" EM	231	-	-

APPROVAL	BY	DATE
CHECK		
ENG.		
SCALE		
DRAWN BY		
M BOYER		21-Jul-09

SIZE	DRAWING NAME	SHEET	REV.DOC
A	382410_R4_0	8 OF 8	4.0