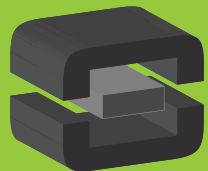


From Off-The-Shelf to Market-Ready© New Age Enclosures is your Single Source Solution.
Let us quote modifying our Stock Enclosures to meet your end-use.
visit newageenclosures.com/services or call 855-4NA-ENCL today.

CNC CUTOUTS
PART DECORATING
CUSTOM COLOR AND MATERIAL
RF/EMI SHEILDING
CUSTOM TOOL INSERTS
CUSTOM ENCLOSURES AND DESIGN



NEW AGE
ENCLOSURES

DEVELOP THE FUTURE

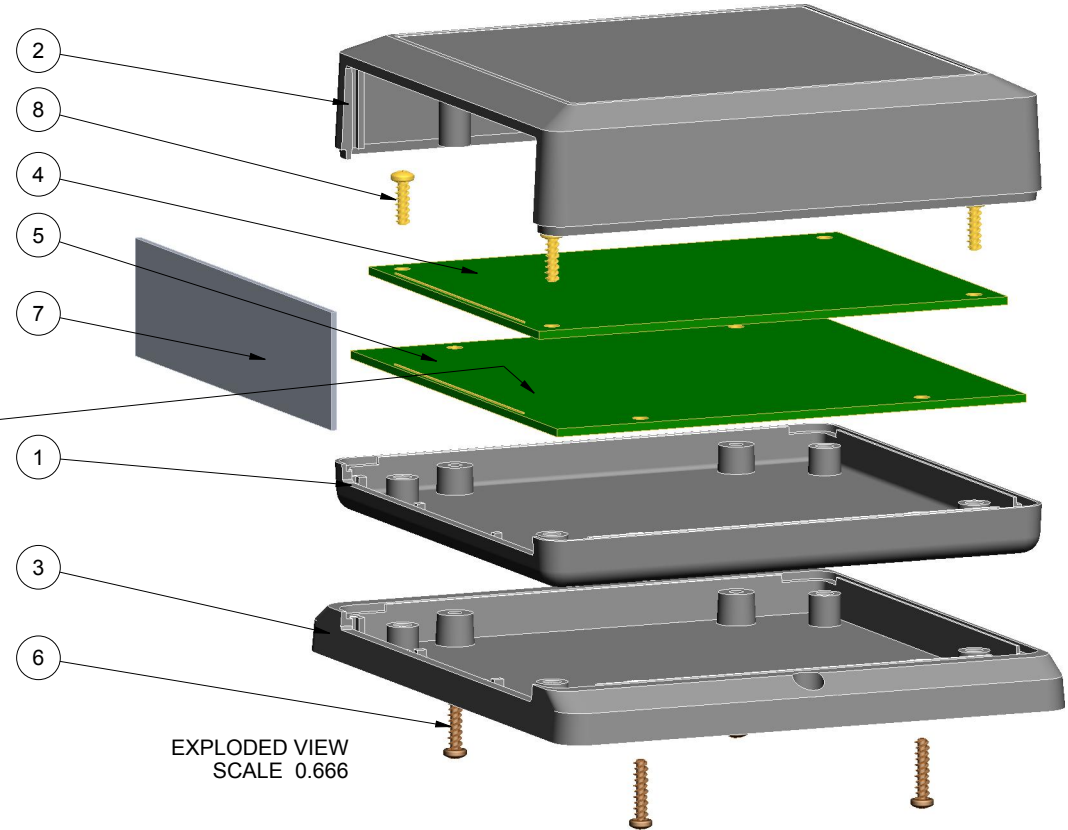


NOTES: UNLESS OTHERWISE SPECIFIED

1. CORNERS DRAWN SHARP TO BE R.005 MAXIMUM.
2. EXTERIOR SURFACE TEXTURE TO BE LIGHT EDM FINISH. EQUIVELANT TO MT-11020.
3. INTERIOR SURFACE TEXTURE TO BE: NONE.
4. ALL INSIDE RADII .010R. ALL OUTSIDE RADII .020R MAX, UNLESS OTHERWISE SPECIFIED.
5. ALL EXTERNAL DIMENSIONS AFFECTED BY THE DRAFT APPLY AT THE LARGE END OF THE FEATURE, AND ALL INTERNAL FEATURES AFFECTED BY THE DRAFT APPLY AT THE SMALL END OF THE FEATURE UNLESS OTHERWISE SPECIFIED.
6. 1 DEGREE DRAFT IN THE DIRECTION OF PULL IS PERMISSIBLE UNLESS OTHERWISE SPECIFIED.
7. ASSEMBLY SCREWS FOR THE ENCLOSURE INCLUDED. MOUNTING SCREWS FOR THE PCB ARE SOLD SEPERATELY.
8. MATERIAL / COLOR: ABS PLASTIC IS STANDARD IN BLACK OR WHITE. CUSTOM MATERIALS AND COLORS ARE AVAILABLE UPON REQUEST FOR QUOTE.
9. PCB SIZES ARE RECOMMENDATIONS ONLY. FINAL SIZES AND VERIFICATION OF ITS FIT ARE THE SOLE RESPONSIBILITY OF THE CUSTOMER.
10. STANDARD OR CUSTOM LABEL RECESSES ARE AVAILABLE UPON REQUEST FOR QUOTE.

434313 ENCLOSURE SHOWN WITH 2 PCB SIZE OPTIONS. THIS ENCLOSURE DOES NOT SUPPORT TWO PCB BOARDS AT ONCE.

R E V I S I O N					
REV.	DRAWN BY	ECO No	DESCRIPTION	DATE	APPROVED
A-J	M BOYER		DEVELOPMENT	2009-Aug-24	D.C.
1.0	M BOYER	N/A	UPDATE TO AS-BUILT AND RELEASE	2010-Mar-29	D.C.
1.1	M BOYER	04515	REVISE ASSEMBLY SCREW LENGTH	2015-Sep-14	D.C.
2.0	R CRUZ	03018	REMOVE-FP, INCLUDE FACEPLATE WITH -F(x) OPTIONS	2018-Oct-31	D.C.
2.1	M BOYER	00219	CLARIFY FACEPLATE DETAILS	2019-Jan-28	



434313(x) CONFIGURATIONS				
	-S	-SW	-F	-FW
434313 COVER	1	1		
434313 COVER w/ FACEPLATE			1	1
434313 BASE	1			
434313 BASE w/ FACEPLATE			1	
434313 WALL BASE		1		
434313 WALL BASE w/ FACEPLATE				1
#4 HiLo SCREW .500"	4	4	4	4
434313 FACEPLATE			1	1

ITEM	FILE NAME	DESCRIPTION	MATERIAL	COLOR	QTY.
8	NO_4_375_SCREW	No4 HiLo x .375" - PCB	#4 HiLo x 3/8"	SOLD SEPARATELY	4
7	434313_FACEPLATE	434313 FACEPLATE - STANDARD	ALUMINUM	INCLUDED	1
6	NO_4_500_SCREW	No4 HiLo x .500" - ASSEMBLY	#4 HiLo x 1/2"	INCLUDED	4
5	434313_PCB-4X4	434313 PCB - REFERENCE	.062" THICK	CUSTOMER SUPPLIED	1
4	434313_PCB-4X3	434313 PCB - REFERENCE	.062" THICK	CUSTOMER SUPPLIED	1
3	434313_WALL-BASE	434313 WALL - STANDARD	ABS	BLACK or WHITE	1
2	434313_COVER	434313 COVER - STANDARD	ABS	BLACK or WHITE	1
1	434313_BASE	434313 BASE - STANDARD	ABS	BLACK or WHITE	1

BILL OF MATERIALS

THIRD ANGLE PROJECTION
DO NOT SCALE DRAWING

TOLERANCES: UNLESS OTHERWISE SPECIFIED
DIMENSIONS ARE IN U.S. INCHES.
X.XX = .015 X.XXXX = .001
X.XXX = .010 X.X" = 1"

NEW AGE ENCLOSURES
Customer's Part No: 434313X

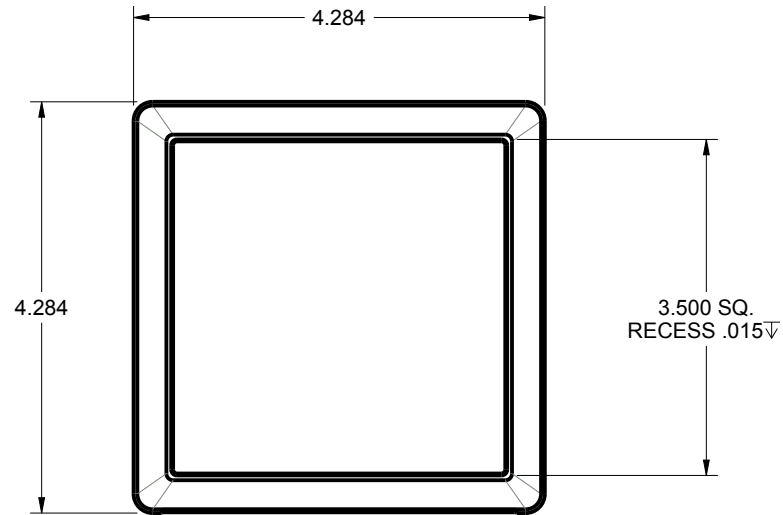
APPROVAL	BY	DATE
CHECK		
ENG.		
SCALE	AS NOTED	

DRAWN BY	2009-Aug-24
M BOYER	

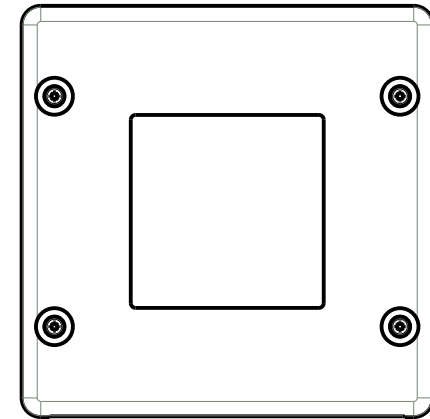
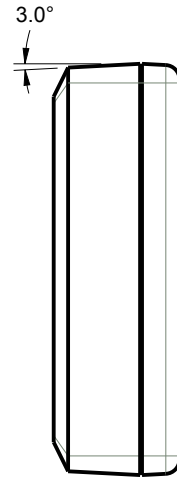
NEW AGE ENCLOSURES
2240 South Thornburg Street Santa Maria, CA. 93455
ph. (805) 595-1310 fax (805) 595-1024
www.newageenclosures.com

SQUARE UTIL. - STANDARD
SXX-434313X-XXX

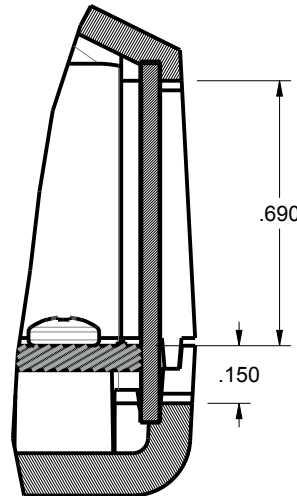
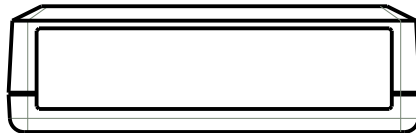
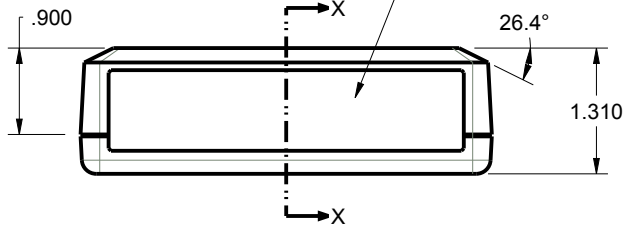
SIZE	DRAWING NAME	SHEET	REV.DOC
A	434313X_R2_1	1 OF 8	2.1



SCALE 0.500



THIS ENCLOSURE CAN BE MOLDED WITH OR WITHOUT THE FACEPLATE OPENING. ASK YOUR SALES REP FOR DETAILS.



SECTION X-X
SCALE 2.000

TOLERANCES: UNLESS OTHERWISE SPECIFIED
DIMENSIONS ARE IN U.S. INCHES.
X.XX = .015 X.XXXX = .001
X.XXX = .010 X.X° = 1°

NEW AGE ENCLOSURES
Customer's Part No: 434313X

APPROVAL BY DATE

CHECK

ENG.

SCALE AS NOTED

DRAWN BY M BOYER 2009-Aug-24

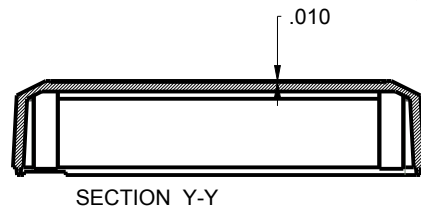
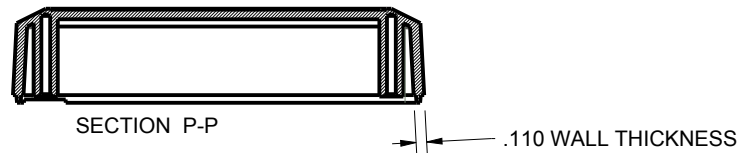
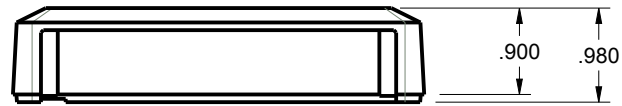
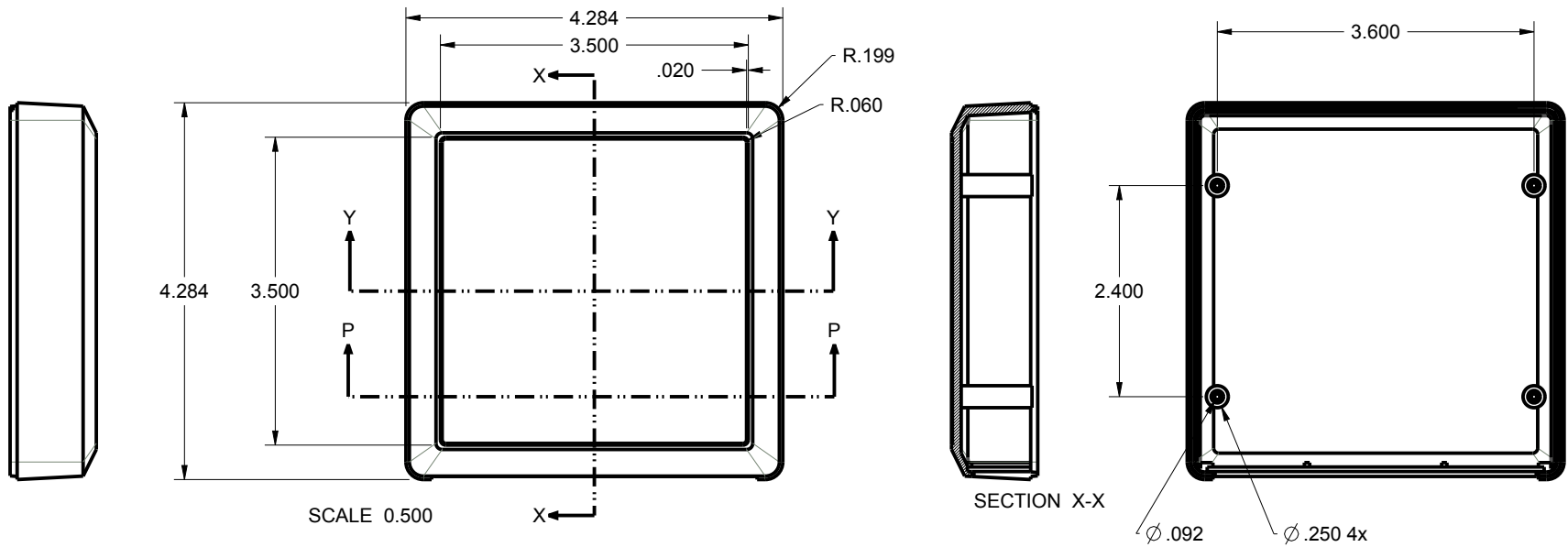
NEW AGE ENCLOSURES

2240 South Thornburg Street Santa Maria, CA. 93455
ph. (805) 595-1310 fax (805) 595-1024
www.newageenclosures.com

SQUARE UTIL. - STANDARD
SXX-434313X-XXX

SIZE A DRAWING NAME 434313X_R2_1 SHEET 2 OF 8 REV.DOC 2.1

434313 COVER



TOLERANCES: UNLESS OTHERWISE SPECIFIED
DIMENSIONS ARE IN U.S. INCHES.
X.XX = .015 X.XXXX = .001
X.XXX = .010 X.X° = 1°

NEW AGE ENCLOSURES

Customer's Part No: 434313X

APPROVAL BY DATE

CHECK

ENG.

SCALE AS NOTED

DRAWN BY M BOYER 2009-Aug-24

NEW AGE ENCLOSURES

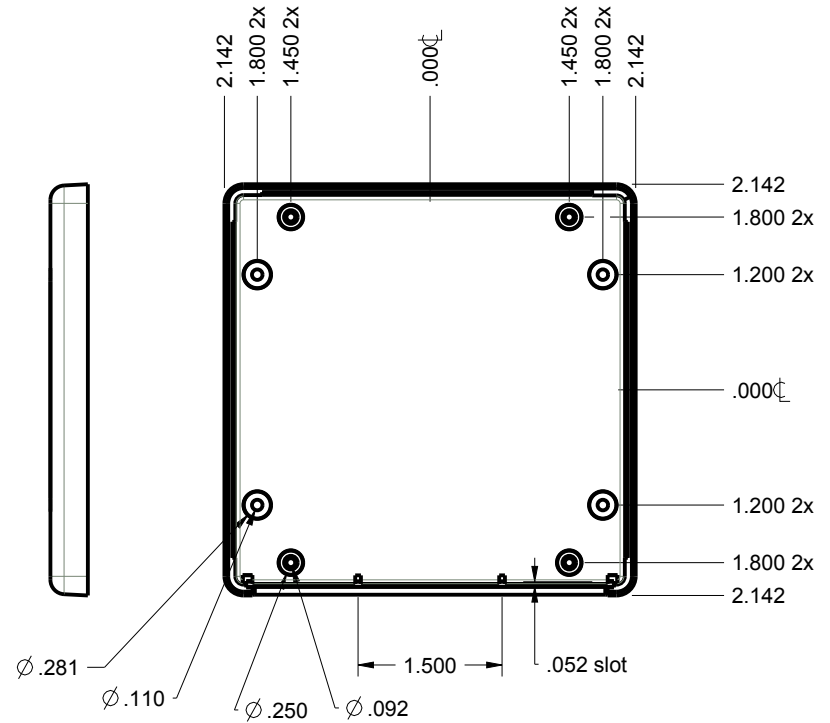
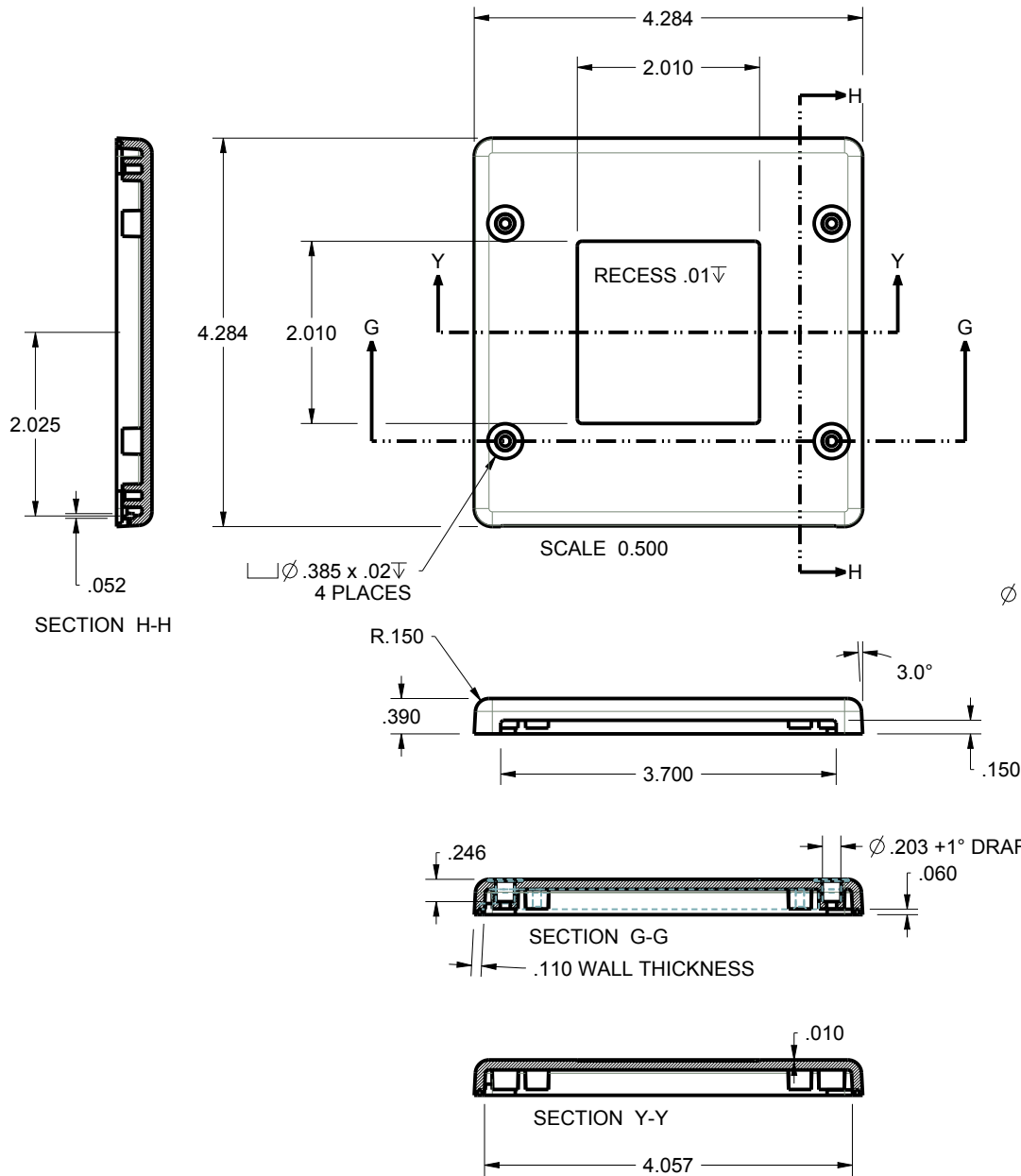
2240 South Thornburg Street Santa Maria, CA. 93455
ph. (805) 595-1310 fax (805) 595-1024
www.newageenclosures.com

SQUARE UTIL. - STANDARD
SXX-434313X-XXX

SIZE A DRAWING NAME 434313X_R2_1

SHEET 3 OF 8 REV.DOC 2.1

434313 BASE



TOLERANCES: UNLESS OTHERWISE SPECIFIED
DIMENSIONS ARE IN U.S. INCHES.
X.XX = .015 X.XXXX = .001
X.XXX = .010 X.X° = 1°

NEW AGE ENCLOSURES
Customer's Part No: 434313X

APPROVAL BY DATE

CHECK

ENG.

SCALE AS NOTED

DRAWN BY M BOYER

2009-Aug-24

NEW AGE ENCLOSURES

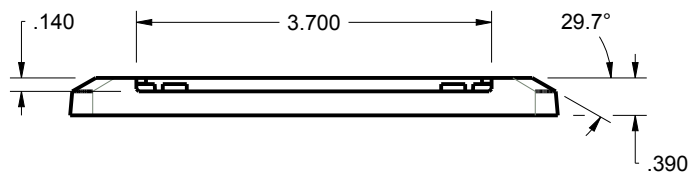
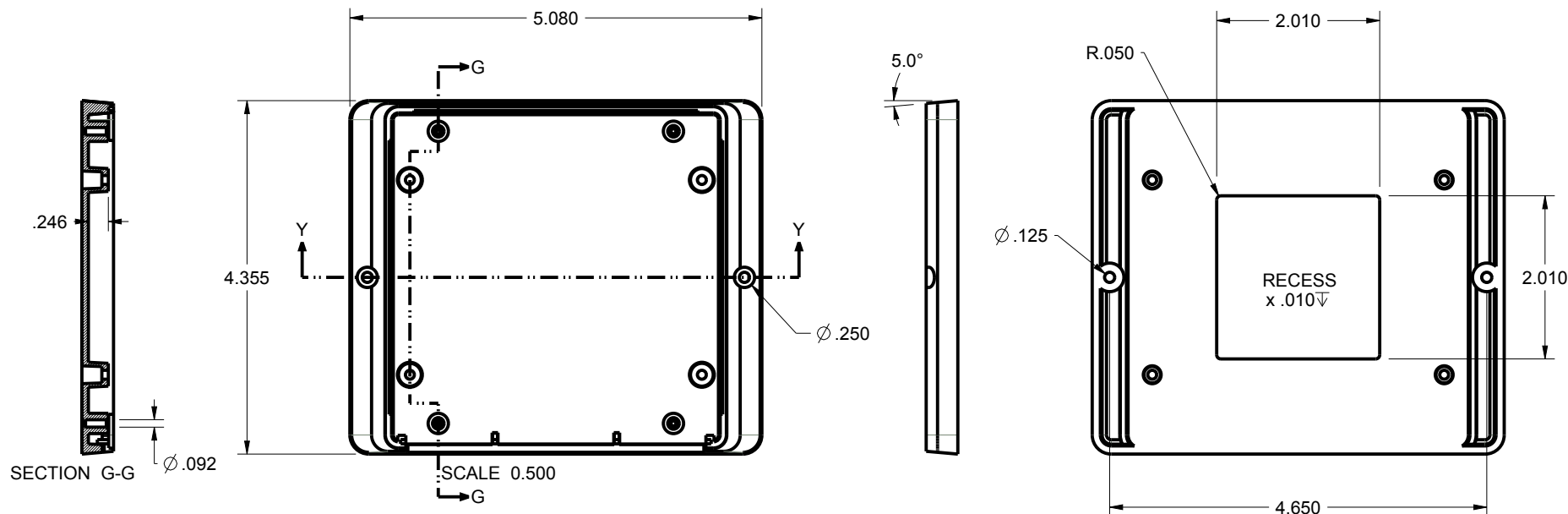
2240 South Thornburg Street Santa Maria, CA. 93455
ph. (805) 595-1310 fax (805) 595-1024
www.newageenclosures.com

SQUARE UTIL. - STANDARD
SXX-434313X-XXX

SIZE A DRAWING NAME 434313X_R2_1

SHEET 4 OF 8 REV.DOC 2.1

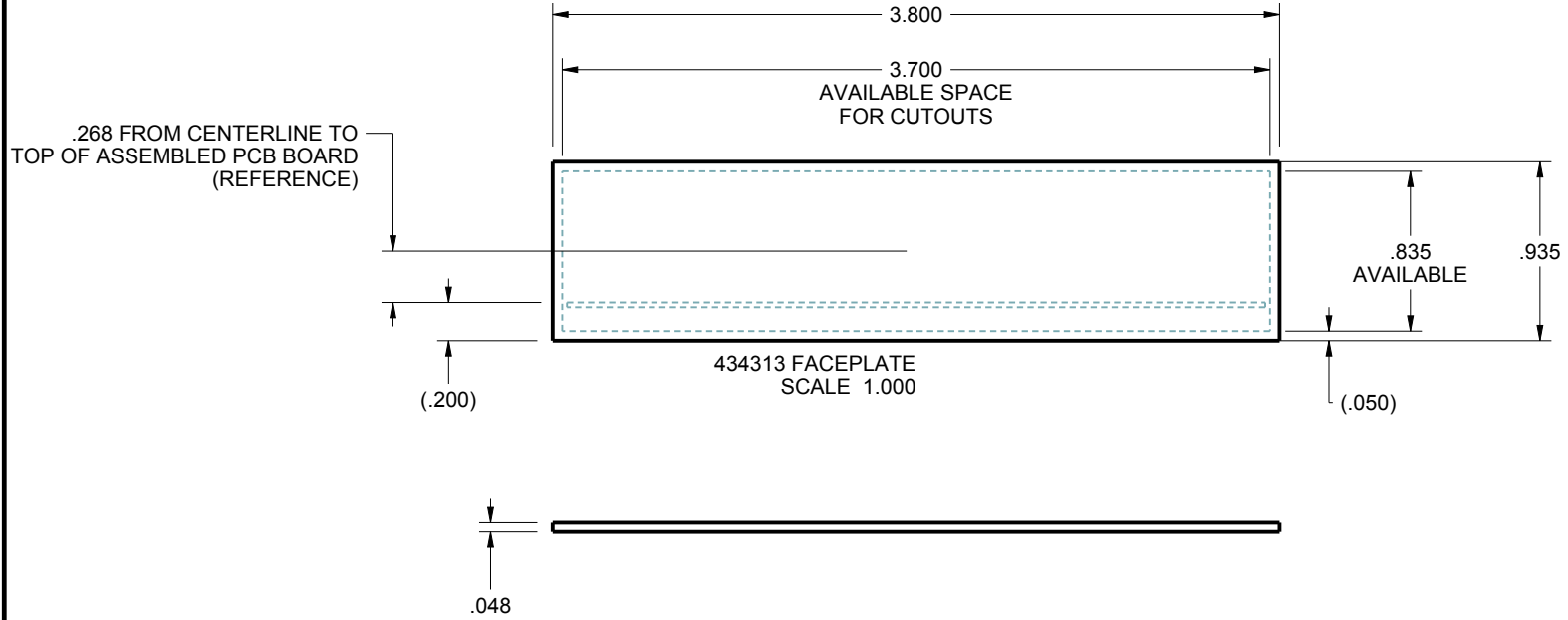
434313 WALL



TOLERANCES: UNLESS OTHERWISE SPECIFIED DIMENSIONS ARE IN U.S. INCHES. X.XX = .015 X.XXXX = .001 X.XXX = .010 X.X° = 1°		NEW AGE ENCLOSURES	
NEW AGE ENCLOSURES		2240 South Thornburg Street Santa Maria, CA. 93455 ph. (805) 595-1310 fax (805) 595-1024 www.newageenclosures.com	
Customer's Part No: 434313X			
APPROVAL	BY	DATE	
CHECK			
ENG.			
SCALE	AS NOTED		
DRAWN BY	2009-Aug-24	SIZE	DRAWING NAME
M BOYER		A	434313X_R2_1
		SHEET	REV.DOC
		5 OF 8	2.1

SQUARE UTIL. - STANDARD
SXX-434313X-XXX

434313 FACE PLATE



TOLERANCES: UNLESS OTHERWISE SPECIFIED
DIMENSIONS ARE IN U.S. INCHES.
X.XX = .015 X.XXXX = .001
X.XXX = .010 X.X° = 1°

NEW AGE ENCLOSURES
Customer's Part No: 434313X

APPROVAL	BY	DATE
CHECK		
ENG.		
SCALE	AS NOTED	

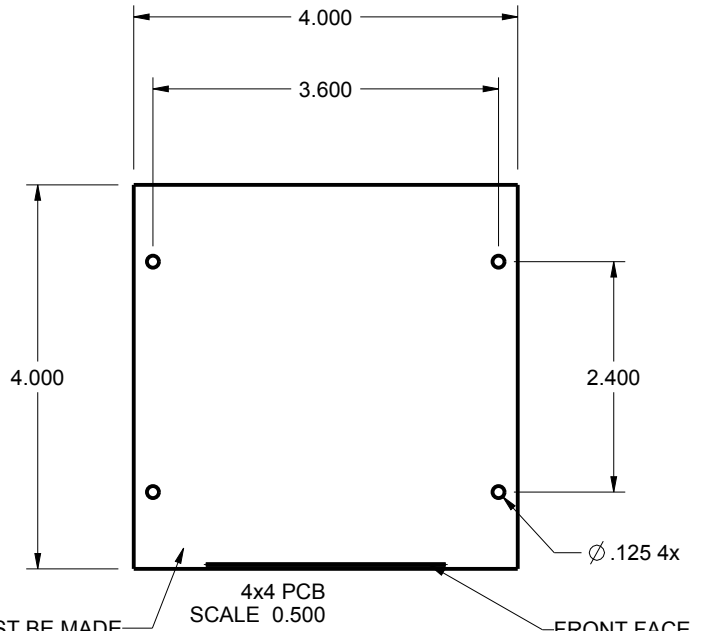
DRAWN BY	2009-Aug-24
M BOYER	

NEW AGE ENCLOSURES
2240 South Thornburg Street Santa Maria, CA. 93455
ph. (805) 595-1310 fax (805) 595-1024
www.newageenclosures.com

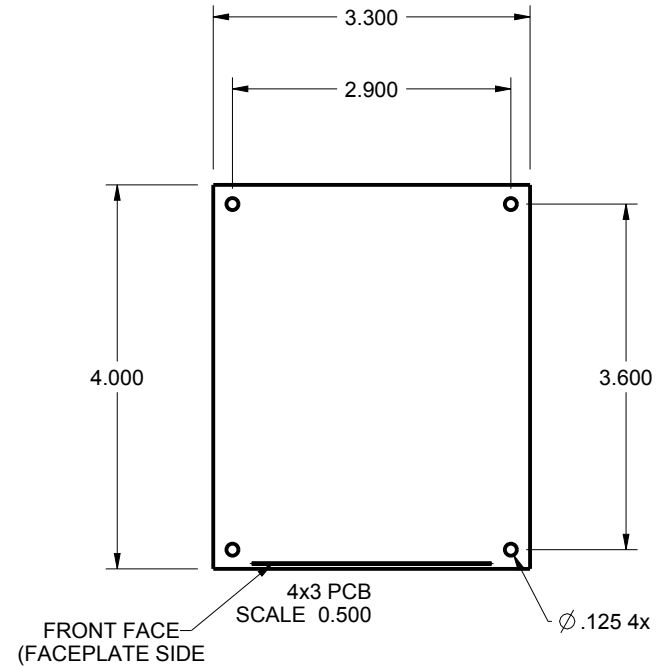
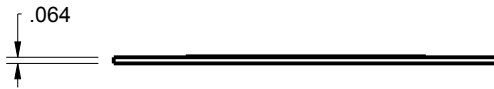
**SQUARE UTIL. - STANDARD
SXX-434313X-XXX**

SIZE	DRAWING NAME	SHEET	REV.DOC
A	434313X_R2_1	6 OF 8	2.1

434313 PCB - CUSTOMER SUPPLIED
 PCB SIZES ARE RECOMMENDATIONS ONLY. FINAL SIZES AND VERIFICATION OF IT'S FIT ARE THE SOLE RESPONSIBILITY OF THE OEM.
 SEE SHEET 4 FOR POST CLEARANCE DETAILS.
 ENCLOSURE DESIGNED TO ACCOMODATE ONE OF THE TWO PCB CONFIGURATIONS SHOWN BELOW (NOT BOTH AT THE SAME TIME).



ALLOWANCES MUST BE MADE FOR THE EXTRA PCB POSTS IN ENCLOSURE OR POSTS SHOULD BE CLIPPED BY CUSTOMER.

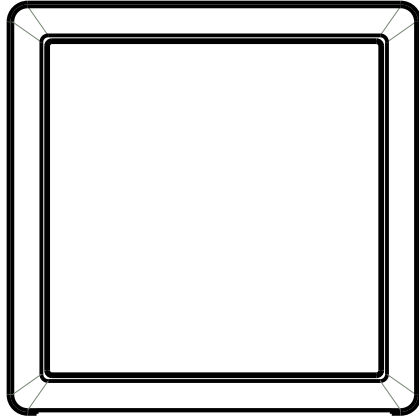


TOLERANCES: UNLESS OTHERWISE SPECIFIED DIMENSIONS ARE IN U.S. INCHES. X.XX = .015 X.XXXX = .001 X.XXX = .010 X.X° = 1°		NEW AGE ENCLOSURES	
NEW AGE ENCLOSURES		2240 South Thornburg Street Santa Maria, CA. 93455 ph. (805) 595-1310 fax (805) 595-1024 www.newageenclosures.com	
Customer's Part No: 434313X			
APPROVAL	BY	DATE	
CHECK			
ENG.			
SCALE	AS NOTED		
DRAWN BY	2009-Aug-24	SIZE	DRAWING NAME
M BOYER		A	434313X_R2_1
		SHEET	REV.DOC
		7 OF 8	2.1

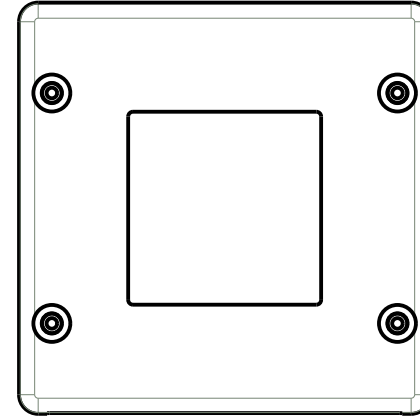
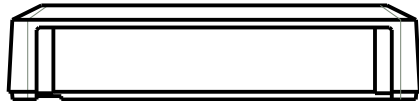
**SQUARE UTIL. - STANDARD
 SXX-434313X-XXX**

2nd OPERATION DETAILS

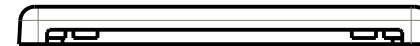
NEW AGE ENCLOSURES DELIVERS YOUR ENCLOSURE MARKET-READY WITH IN-HOUSE
CNC MACHINING, PAD PRINTING, ASSEMBLY, AND FULFILLEMENT.
ALL SURFACES AND AREAS ARE AVAILABLE FOR CNC ALTERATION BY NEW AGE ENCLOSURES
CALL (805) 595-1310 FOR PRICING AND SCHEDULE.
THE INSIDE RADIUS OF ANY MACHINED FEATURES SHOULD BE NO SMALLER THAN .031"



434313 COVER
SCALE 0.500



434313 BASE
SCALE 0.500



434313(x) CONFIGURATIONS

	-S	-SW	-F	-FW
434313 COVER	1	1		
434313 COVER w/ FACEPLATE			1	1
434313 BASE	1			
434313 BASE w/ FACEPLATE			1	
434313 WALL BASE		1		
434313 WALL BASE w/ FACEPLATE				1
#4 HiLo SCREW .500"	4	4	4	4
434313 FACEPLATE			1	1

SXX-434313-XXX COVER - ABS, BLACK

STEP NO	DESCRIPTION	CUTTER	FIXTURE	ORIENTATION	PROGRAM
1-C-C1	-	T2 = .062" EM	326	-	o1000
2-C-C2	-	T2 = .062" EM	326	-	o1000
3-C-C3	-	T2 = .062" EM	326	-	o1000

SXX-434313-XXX BASE - ABS, BLACK

STEP NO	DESCRIPTION	CUTTER	FIXTURE	ORIENTATION	PROGRAM
1-B-C1	-	T2 = .062" EM	234	-	o1000
2-B-C2	-	T2 = .062" EM	234	-	o1000
3-B-C3	-	T2 = .062" EM	234	-	o1000

TOLERANCES: UNLESS OTHERWISE SPECIFIED
DIMENSIONS ARE IN U.S. INCHES.
X.XX = .015 X.XXXX = .001
X.XXX = .010 X.X° = 1°

NEW AGE ENCLOSURES

Customer's Part No: 434313X

APPROVAL	BY	DATE
CHECK		
ENG.		
SCALE	AS NOTED	
DRAWN BY		
M BOYER	2009-Aug-24	

NEW AGE ENCLOSURES

2240 South Thornburg Street Santa Maria, CA. 93455
ph. (805) 595-1310 fax (805) 595-1024
www.newageenclosures.com

**SQUARE UTIL. - STANDARD
SXX-434313X-XXX**

SIZE	DRAWING NAME	SHEET	REV.DOC
A	434313X_R2_1	8 OF 8	2.1