

Ordering a market-ready enclosure® is made fast and affordable with our complete in-house capabilities. New Age provides machined openings to fit your PCB, pad printing for your graphics, custom enclosures, custom colors, final assembly, testing and fulfillment services to save you additional time and money. Ask your representative for a free quote today 805-595-1310.

Fast and Affordable Customization

**CNC Modifications
Pad Printing
Colored Resins
EMI/RF Shielding
Custom Enclosure
Assembly & Testing**



ISO quality
off-the-shelf
to market-ready®

NEW AGE ENCLOSURES

www.NewAgeEnclosures.com

4330 Santa Fe Road • San Luis Obispo, CA 93401 • T 805.595.1310 • F 805.595.1024

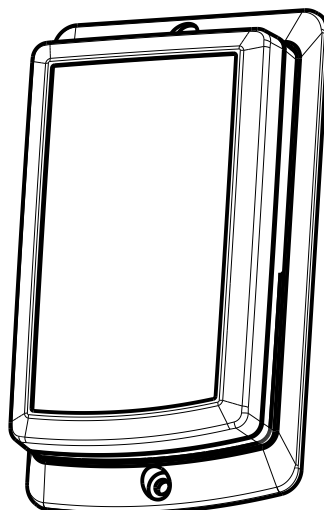
NOTES: UNLESS OTHERWISE SPECIFIED

- CORNERS DRAWN SHARP TO BE R.005 MAXIMUM.
- EXTERIOR SURFACE TEXTURE TO BE LIGHT EDM FINISH. EQUIVALENT TO MT-11010.
- INTERIOR SURFACE TEXTURE: NONE.
- ALL INSIDE RADII .010R. UNLESS OTHERWISE SPECIFIED.
- ALL EXTERNAL DIMENSIONS AFFECTED BY THE DRAFT APPLY AT THE LARGE END OF THE FEATURE, AND ALL INTERNAL FEATURES AFFECTED BY THE DRAFT APPLY AT THE SMALL END OF THE FEATURE UNLESS OTHERWISE SPECIFIED.
- 1 DEGREE DRAFT IN THE DIRECTION OF PULL IS PERMISSIBLE UNLESS OTHERWISE SPECIFIED.
- MATERIAL / COLOR: ABS PLASTIC IS STANDARD IN BLACK OR WHITE. CUSTOM MATERIALS AND COLORS MAY BE AVAILABLE UPON REQUEST FOR QUOTE.
- PCB SIZES ARE RECOMMENDATIONS ONLY. FINAL SIZES AND VERIFICATION OF ITS FIT ARE THE SOLE RESPONSIBILITY OF EACH CUSTOMER.
- CUSTOM LABEL RECESSES MAY BE AVAILABLE UPON REQUEST FOR QUOTE.
- ASSEMBLY SCREWS PROVIDED. BATTERY CONTACTS SOLD SEPERATELY. PCB SCREWS ARE CUSTOMER SUPPLIED.
- ANY SPECIFIC DIMENSIONS NOT PROVIDED HERE CAN BE OBTAINED FROM OUR SOLID MODELS (.STEP), AVAILABLE AT OUR WEBSITE. MODIFIED CUSTOMER MODELS ARE AVAILABLE UPON REQUEST.

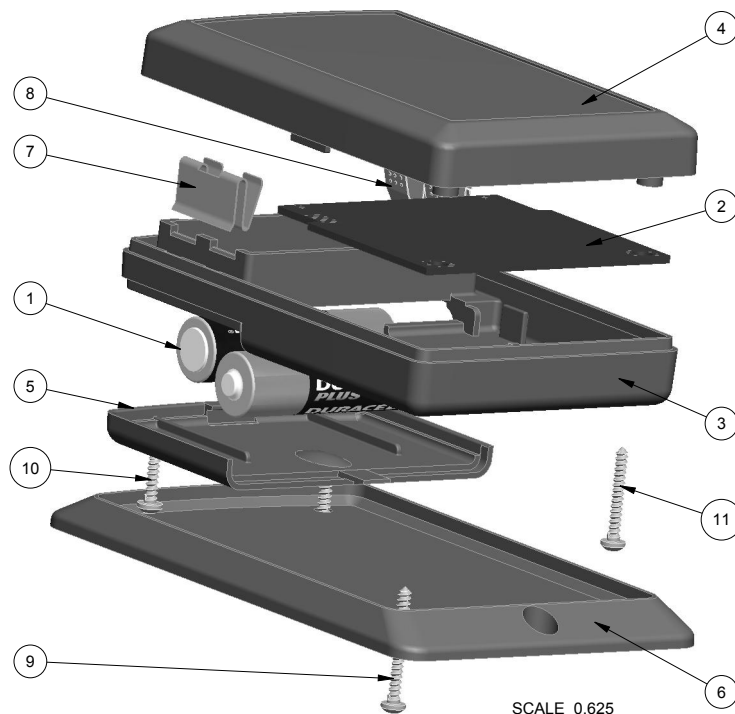
R E V I S I O N					
REV.	DRAWN BY	ECO No	DESCRIPTION	DATE	APPROVED
1	M BOYER	---	RELEASE	27-Jun-09	D.C.
3	M BOYER	3109	CONSOLIDATE ALL 442710 CONFIG INTO ONE DOCUMENT	05-Sep-09	D.C.
4	M BOYER	3809	INCREASE HATCH RELIEF TOLERANCE	27-Oct-09	D.C.
4.1	M BOYER	0710	UPDATE FORMAT	26-Mar-10	D.C.
4.2	M BOYER	0712	UPDATE CONFIG AND REMOVE LCD CONFIG	28-Feb-12	D.C.
4.3	R CRUZ	1114	REMOVE LCD CONFIG & UPDATE NOTES	19-Mar-14	D.C.
4.4	R CRUZ	3314	REVISE CONFIGURATION TABLE	18-Jun-14	

442710(x) CONFIGURATIONS			
	-Blank	-K	-WP*
442710 COVER	1	1	
442710 BATTERY BASE	1	1	
442710 WALL PLATE		1	1
442710 HATCH	1		
442710 HATCH (Modified)		1	
#4 HiLo SCREW 1.00"		1	1
#4 HiLo SCREW .750"	2	1	
#4 HiLo SCREW .500"	2	2	
SINGLE AA CLIP	2*	2*	
DOUBLE AA CLIP	1*	1*	

* = SOLD SEPERATELY



SCALE 0.500

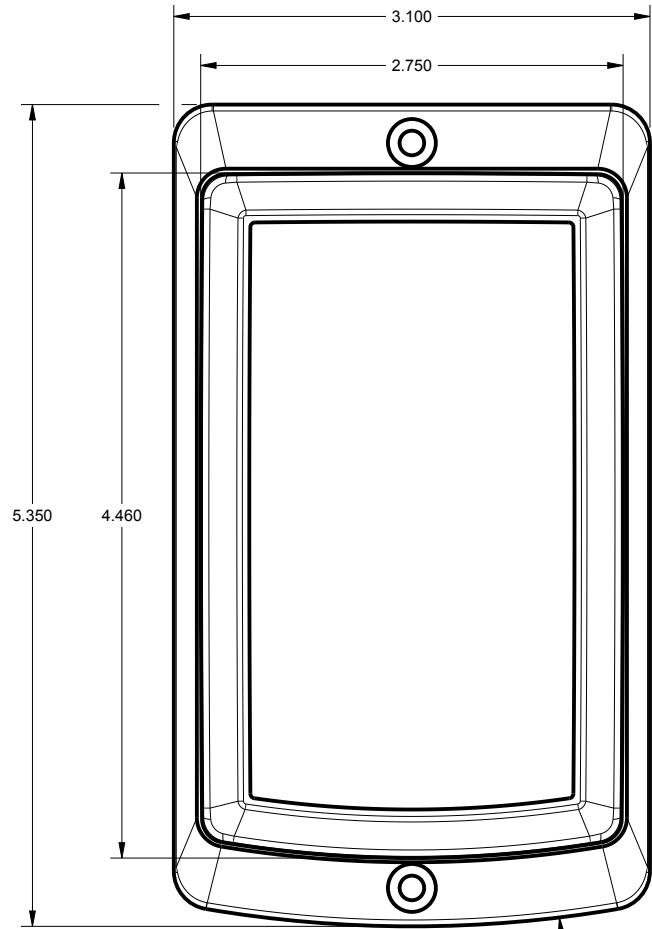


SCALE 0.625

11	NO_4_750_SCREW	HiLo4 x 3/4"	S-HiLo x 3/4"	ZINC PLATED	1
10	NO_4_500_SCREW	HiLo4 x 1/2"	S-HiLo x 1/2"	ZINC PLATED	1
9	NO_4_1000_SCREW	HiLo4 x 1"	S-HiLo x 1.0"	ZINC PLATED	2
8	SM_CLIP	PartNo: 209	SINGLE AA	NICKEL PLATED	2
7	LG_CLIP	PartNo:210	DOUBLE AA	NICKEL PLATED	1
6	442710-WALL	442710 WALL - STANDARD	ABS	BLACK or WHITE	1
5	442710-HATCH	442710 HATCH - STANDARD	ABS	BLACK or WHITE	1
4	442710-COVER	442710 COVER - STANDARD	ABS	BLACK or WHITE	1
3	442710-BASE	442710 BASE - STANDARD	ABS	BLACK or WHITE	1
2	442710-PCB	REFERENCE ONLY	CUSTOMER SUPPLIED	.062" THICK	1
1	AA_BATTERY	REFERENCE ONLY	CUSTOMER SUPPLIED	-	2
ITEM	FILE NAME	DESCRIPTION	MATERIAL	COLOR	QTY.

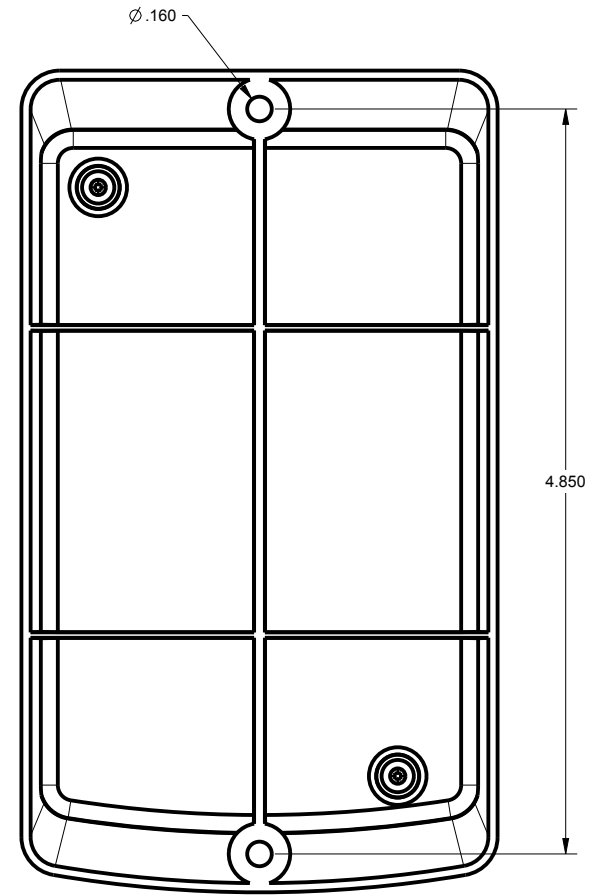
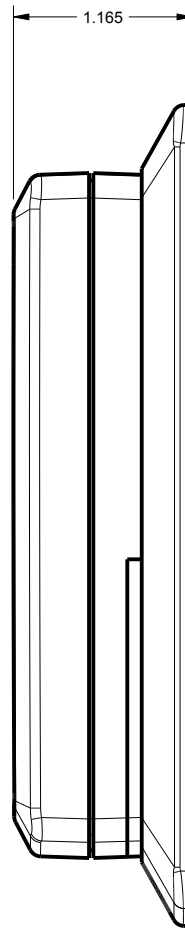
BILL OF MATERIALS

THIRD ANGLE PROJECTION DO NOT SCALE DRAWING	TOLERANCES: UNLESS OTHERWISE SPECIFIED DIMENSIONS ARE IN U.S. INCHES. X.XX = .015 X.XXXX = .001 X.XXX = .010 X.X" = 1°	NEW AGE ENCLOSURES 4330 Santa Fe Road San Luis Obispo, CA. 93401 ph. (805) 595-1310 fax (805) 595-1024 www.newageenclosures.com	
	Customer's Part No: 442710		MED. HANDHELD/WALL UTIL. SXX-442710X ASSEMBLY
NOTICE: THE INFORMATION AND DATA CONTAINED HEREIN IS CONSIDERED PROPRIETARY TO ALLTEC INTEGRATED MFG INC & SHALL REMAIN THE EXCLUSIVE PROPERTY OF ALLTEC INTEGRATED MFG INC. THE HOLDER WILL ASSUME CUSTODY AND CONTROL THAT THIS DOCUMENT WILL NOT BE COPIED, REPRODUCED, OR DISCLOSED WITHOUT THE EXPRESS WRITTEN CONSENT OF ALLTEC INTEGRATED MFG INC. POSSESSION OF THIS DOCUMENT DOES NOT CONSTITUTE A GRANT TO MANUFACTURE ANY ITEMS. © 2014	APPROVAL BY DATE CHECK ENG. SCALE DRAWN BY M BOYER 27-Jun-09	SIZE A DRAWING NAME 442710X_R4_4	SHEET 1 OF 10 REV.DOC 4.4



SCALE 0.800

R8.000



TOLERANCES: UNLESS OTHERWISE SPECIFIED
DIMENSIONS ARE IN U.S. INCHES.
X.XX = .015 X.XXXX = .001
X.XXX = .010 X.X° = 1°

NEW AGE ENCLOSURES

Customer's Part No: 442710

APPROVAL	BY	DATE
CHECK		
ENG.		
SCALE		

DRAWN BY
M BOYER 27-Jun-09

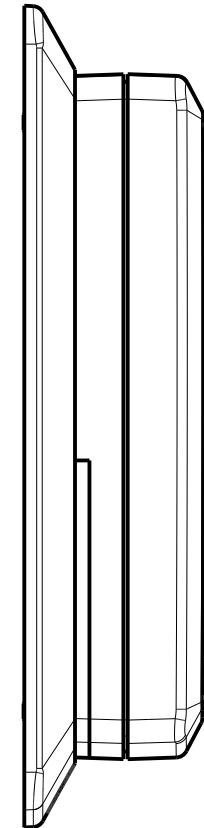
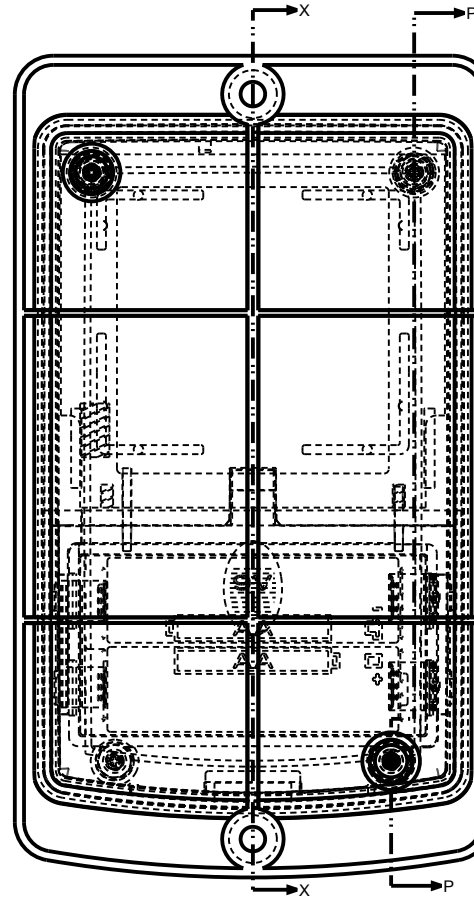
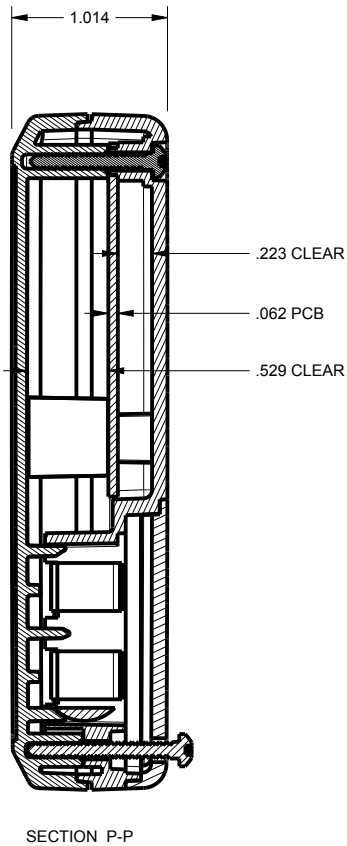
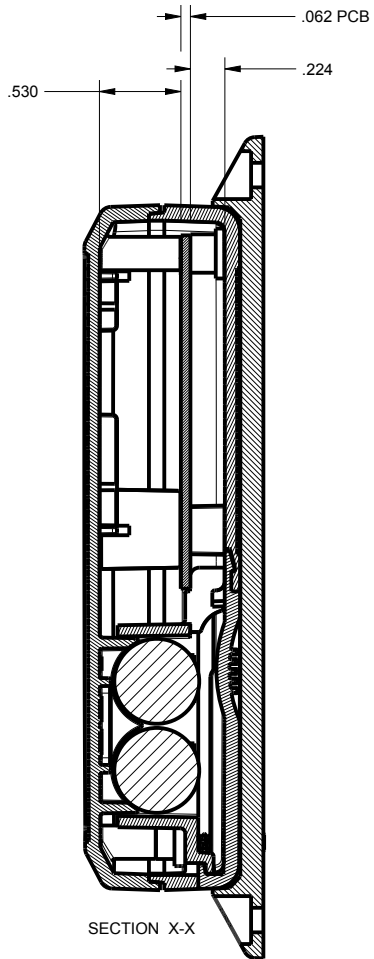
NEW AGE ENCLOSURES

4330 Santa Fe Road San Luis Obispo, CA. 93401
ph. (805) 595-1310 fax (805) 595-1024
www.newageenclosures.com

MED. HANDHELD/WALL UTIL.
SXX-442710X ASSEMBLY

SIZE A DRAWING NAME 442710X_R4_4

SHEET 2 OF 10 REV.DOC 4.4



SCALE 0.800

TOLERANCES: UNLESS OTHERWISE SPECIFIED
DIMENSIONS ARE IN U.S. INCHES.
X.XX = .015 X.XXXX = .001
X.XXX = .010 X.X° = 1°

NEW AGE ENCLOSURES

Customer's Part No: 442710

APPROVAL	BY	DATE
CHECK		
ENG.		
SCALE		

DRAWN BY
M BOYER

27-Jun-09

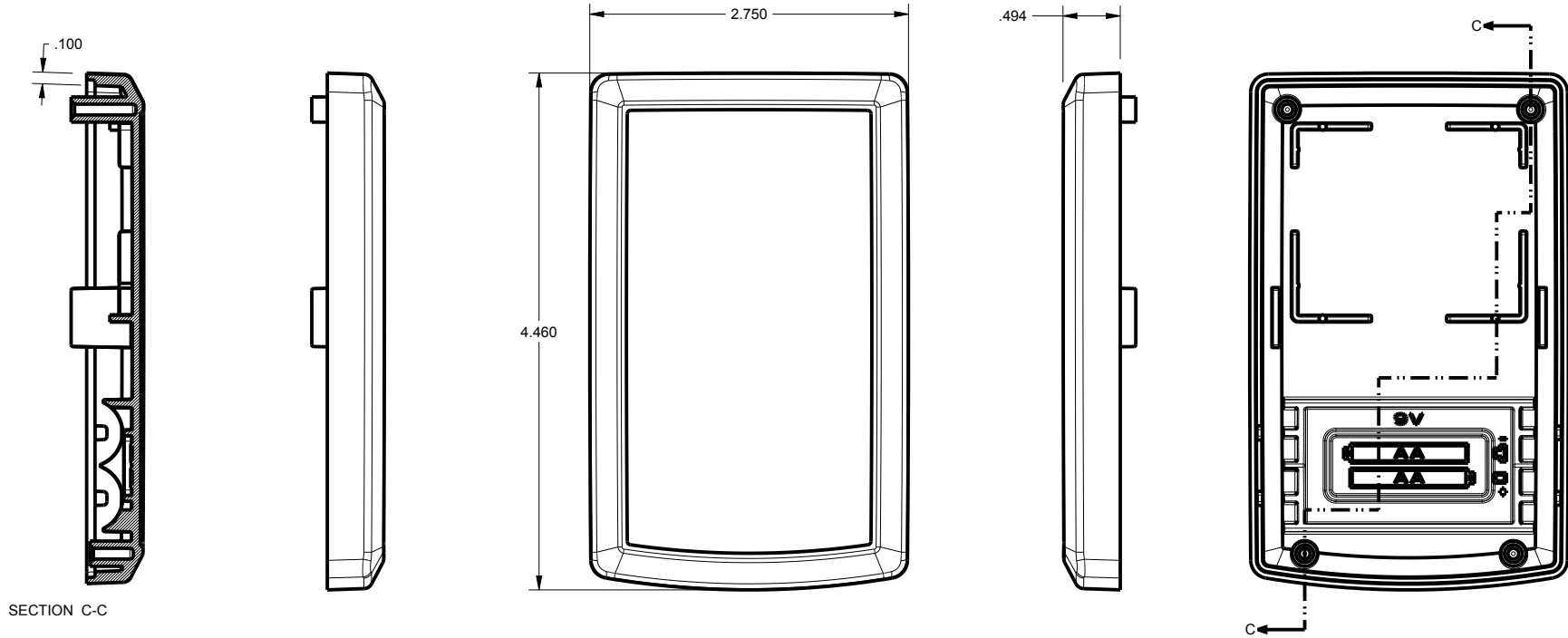
NEW AGE ENCLOSURES

4330 Santa Fe Road San Luis Obispo, CA. 93401
ph. (805) 595-1310 fax (805) 595-1024
www.newageenclosures.com

MED. HANDHELD/WALL UTIL.
SXX-442710X ASSEMBLY

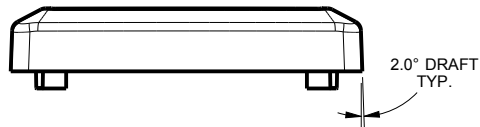
SIZE A	DRAWING NAME 442710X_R4_4	SHEET 3 OF 10	REV.DOC 4.4
-----------	------------------------------	------------------	----------------

442710 COVER



SECTION C-C

SCALE 0.666

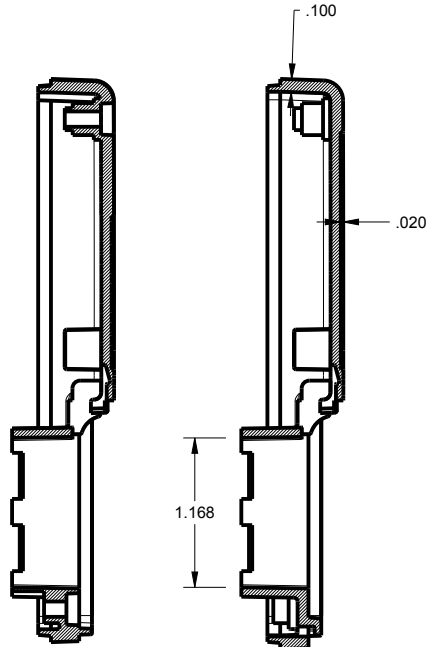
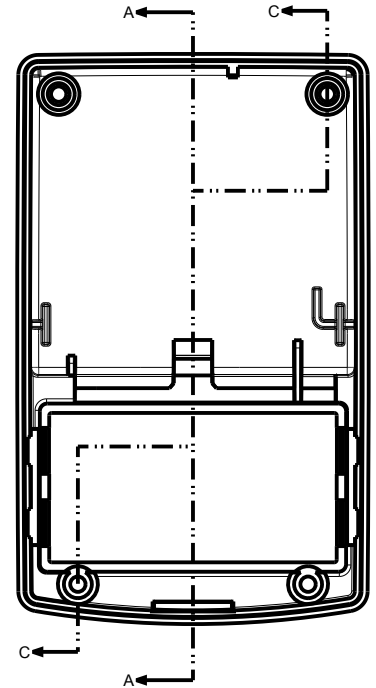
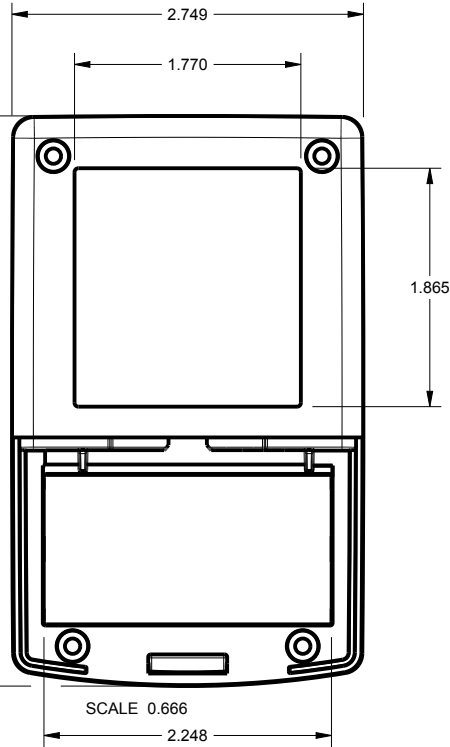
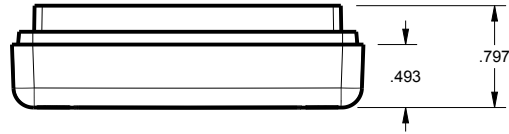


2.0° DRAFT
TYP.

SPECIFIC GEOMETRIC DATA CAN BE OBTAINED FROM THE CAD MODEL AND DOWNLOADED VIA OUR WEBSITE. ALTERNATE FORMS OF CAD INFORMATION ARE AVAILABLE UPON REQUEST.

TOLERANCES: UNLESS OTHERWISE SPECIFIED DIMENSIONS ARE IN U.S. INCHES. X.XX = .015 X.XXXX = .001 X.XXX = .010 X.X° = 1°		NEW AGE ENCLOSURES	
Customer's Part No: 442710		4330 Santa Fe Road San Luis Obispo, CA. 93401 ph. (805) 595-1310 fax (805) 595-1024 www.newageenclosures.com	
APPROVAL	BY	DATE	MED. HANDHELD/WALL UTIL. SXX-442710X ASSEMBLY
CHECK			
ENG.			
SCALE			
DRAWN BY	SIZE	DRAWING NAME	SHEET
M BOYER	A	442710X_R4_4	4 OF 10
	27-Jun-09		REV.DOC
			4.4

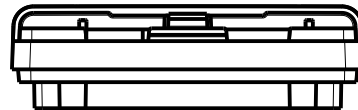
442710 BASE



1.168

SECTION C-C

SECTION A-A



TOLERANCES: UNLESS OTHERWISE SPECIFIED
DIMENSIONS ARE IN U.S. INCHES.
X.XX = .015 X.XXXX = .001
X.XXX = .010 X.X° = 1°

NEW AGE ENCLOSURES

Customer's Part No: 442710

APPROVAL	BY	DATE
CHECK		
ENG.		
SCALE		

DRAWN BY
M BOYER 27-Jun-09

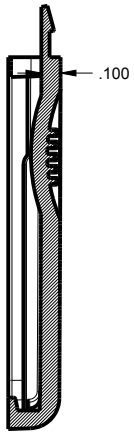
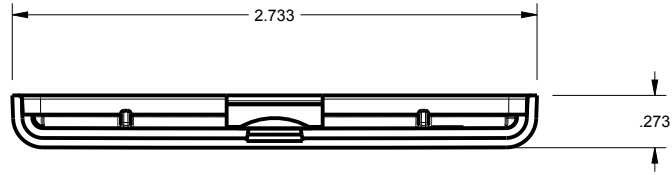
NEW AGE ENCLOSURES

4330 Santa Fe Road San Luis Obispo, CA. 93401
ph. (805) 595-1310 fax (805) 595-1024
www.newageenclosures.com

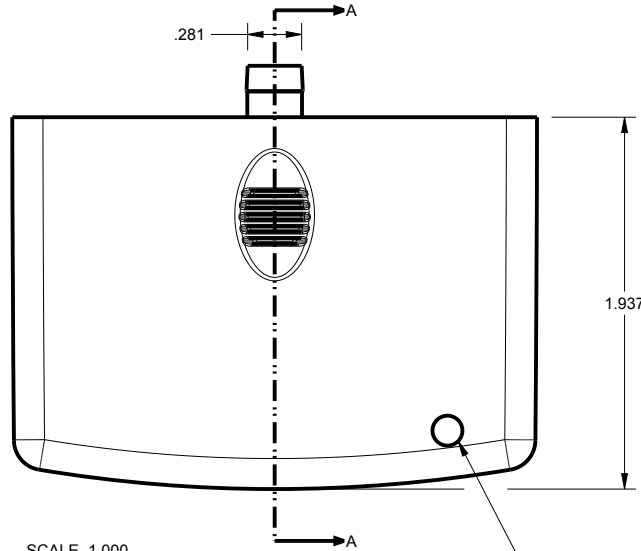
MED. HANDHELD/WALL UTIL.
SXX-442710X ASSEMBLY

SIZE A	DRAWING NAME 442710X_R4_4	SHEET 5 OF 10	REV.DOC 4.4
-----------	------------------------------	------------------	----------------

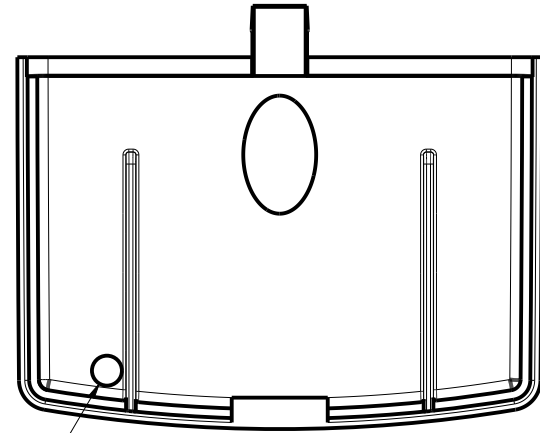
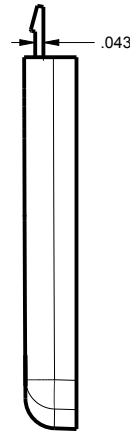
442710 HATCH



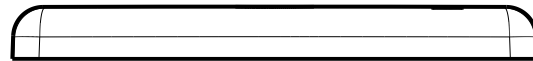
SECTION A-A



SCALE 1.000



2nd OPERATION:
CLEARANCE FOR ATTACHMENT
OF WALL PLATE (S-442710W-K)



TOLERANCES: UNLESS OTHERWISE SPECIFIED
DIMENSIONS ARE IN U.S. INCHES.
X.XX = .015 X.XXXX = .001
X.XXX = .010 X.X° = 1°

NEW AGE ENCLOSURES
Customer's Part No: 442710

APPROVAL	BY	DATE
CHECK		
ENG.		
SCALE		

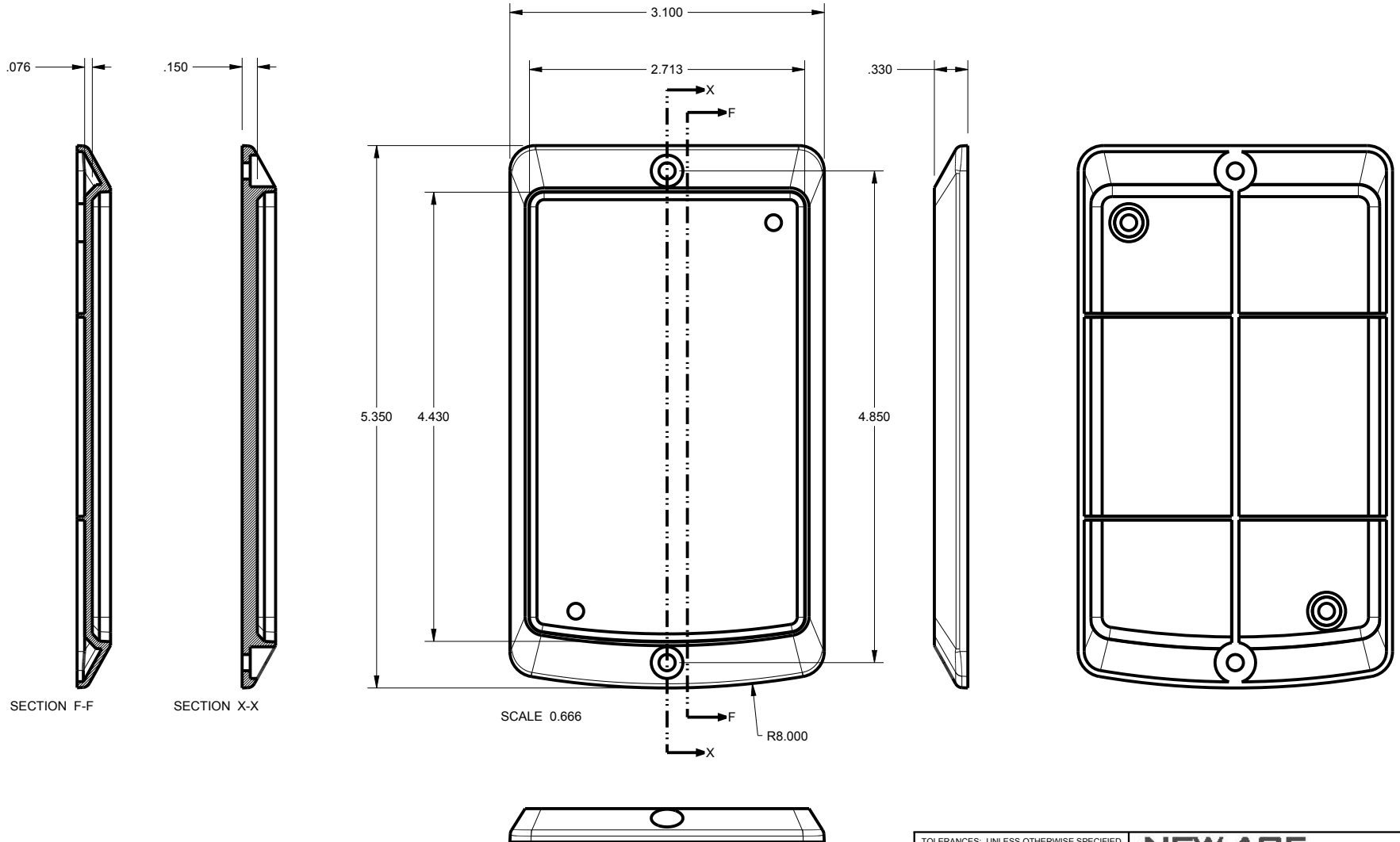
DRAWN BY
M BOYER 27-Jun-09

NEW AGE ENCLOSURES
4330 Santa Fe Road San Luis Obispo, CA. 93401
ph. (805) 595-1310 fax (805) 595-1024
www.newageenclosures.com

MED. HANDHELD/WALL UTIL.
SXX-442710X ASSEMBLY

SIZE A	DRAWING NAME 442710X_R4_4	SHEET 6 OF 10	REV.DOC 4.4
-----------	------------------------------	------------------	----------------

442710 WALL PLATE

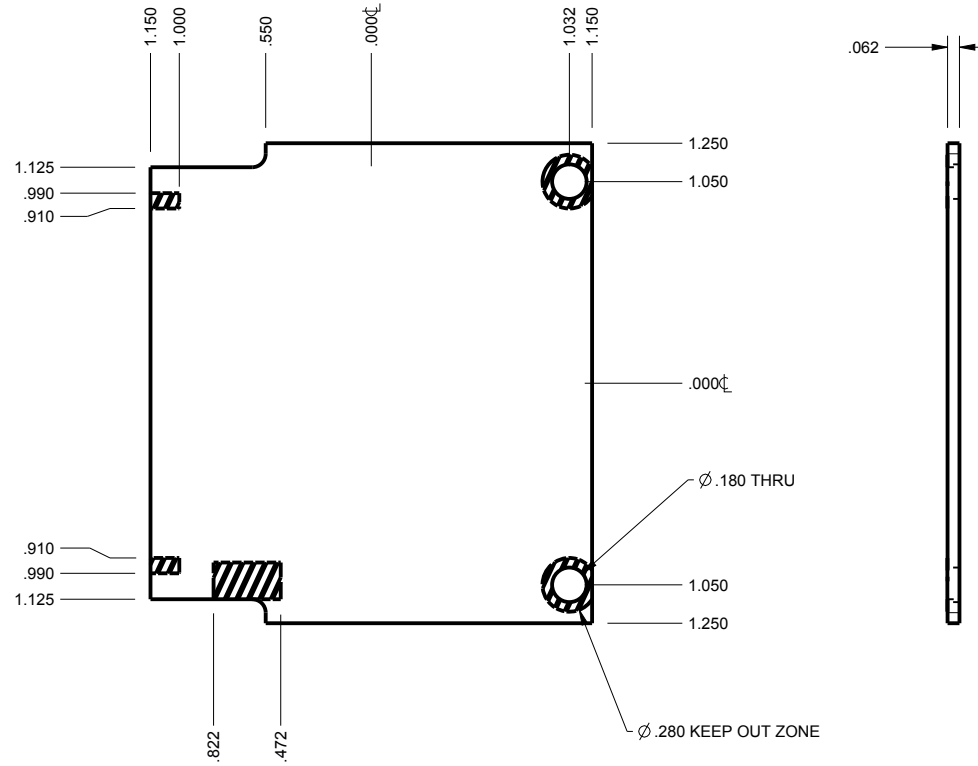


TOLERANCES: UNLESS OTHERWISE SPECIFIED DIMENSIONS ARE IN U.S. INCHES.		NEW AGE ENCLOSURES	
X.XX = .015 X.XXXX = .001		4330 Santa Fe Road San Luis Obispo, CA. 93401	
X.XXX = .010 X.X° = 1°		ph. (805) 595-1310 fax (805) 595-1024	
NEW AGE ENCLOSURES		www.newageenclosures.com	
Customer's Part No: 442710			
APPROVAL	BY	DATE	
CHECK			
ENG.			
SCALE			
DRAWN BY		SIZE	DRAWING NAME
M BOYER	27-Jun-09	A	442710X_R4_4
		SHEET	REV.DOC
		7 OF 10	4.4

**MED. HANDHELD/WALL UTIL.
SXX-442710X ASSEMBLY**

S442710 PCB - CUSTOMER SUPPLIED

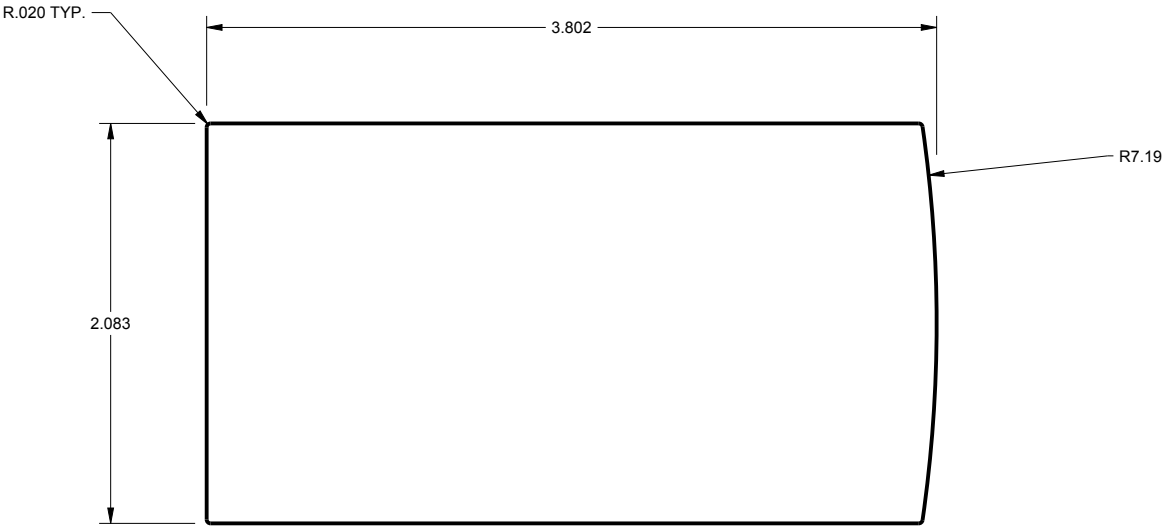
PCB SIZES ARE RECOMMENDATIONS ONLY. FINAL SIZES AND VERIFICATION OF ITS FIT ARE THE SOLE RESPONSIBILITY OF THE OEM.



SCALE 1.000

TOLERANCES: UNLESS OTHERWISE SPECIFIED DIMENSIONS ARE IN U.S. INCHES. X.XX = .015 X.XXXX = .001 X.XXX = .010 X.X° = 1°		NEW AGE ENCLOSURES		
NEW AGE ENCLOSURES		4330 Santa Fe Road San Luis Obispo, CA. 93401 ph. (805) 595-1310 fax (805) 595-1024 www.newageenclosures.com		
Customer's Part No: 442710				
APPROVAL	BY	DATE	MED. HANDHELD/WALL UTIL. SXX-442710X ASSEMBLY	
CHECK				
ENG.				
SCALE				
DRAWN BY	SIZE	DRAWING NAME	SHEET	REV.DOC
M BOYER	A	442710X_R4_4	8 OF 10	4.4

SUGGESTED LABEL SIZE
 (w/ .01" minimum gap per side)
 CUSTOMER SUPPLIED



SCALE 1.000

TOLERANCES: UNLESS OTHERWISE SPECIFIED
 DIMENSIONS ARE IN U.S. INCHES.
 X.XX = .015 X.XXXX = .001
 X.XXX = .010 X.X° = 1°

NEW AGE ENCLOSURES
 Customer's Part No: 442710

NEW AGE ENCLOSURES
 4330 Santa Fe Road San Luis Obispo, CA. 93401
 ph. (805) 595-1310 fax (805) 595-1024
www.newageenclosures.com

APPROVAL	BY	DATE
CHECK		
ENG.		
SCALE		

**MED. HANDHELD/WALL UTIL.
 SXX-442710X ASSEMBLY**

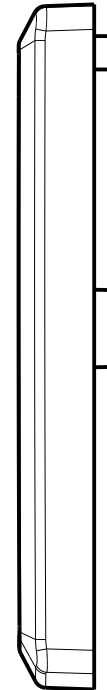
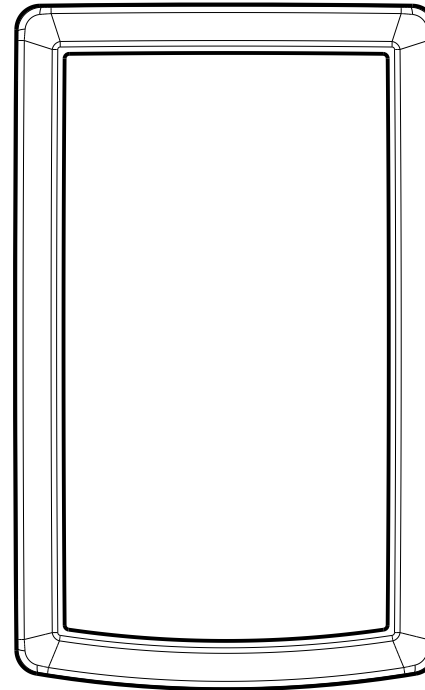
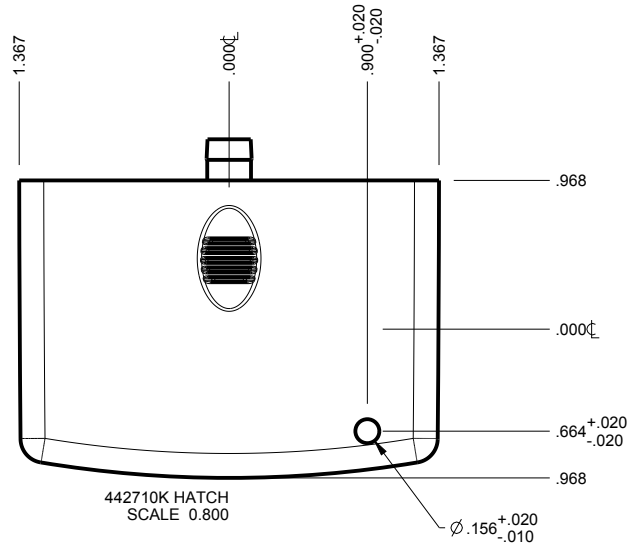
DRAWN BY
 M BOYER 27-Jun-09

SIZE A DRAWING NAME
 442710X_R4_4

SHEET 9 OF 10 REV.DOC 4.4

2nd OPERATION DETAILS

New Age Enclosures DELIVERS YOUR ENCLOSURE MARKET-READY WITH IN-HOUSE
CNC MACHINING, PAD PRINTING, ASSEMBLY, AND FULFILLMENT.
ALL SURFACES AND AREAS ARE AVAILABLE FOR CNC ALTERATION BY New Age Enclosures
CALL (805) 595-1310 FOR PRICING AND SCHEDULE.
THE INSIDE RADIUS OF ANY MACHINED FEATURES SHOULD BE NO SMALLER THAN .031"



SXX-442710K-XXX HATCH - ABS, BLACK					
STEP NO	DESCRIPTION	CUTTER	FIXTURE	ORIENTATION	PROGRAM
1	∅.156 ASSEMBLY HOLE	T2 = .062" EM	113	USE ENCLOSURE ASSEMBLY	o4977
SXX-442710-XXX COVER - ABS, BLACK					
STEP NO	DESCRIPTION	CUTTER	FIXTURE	ORIENTATION	PROGRAM
2	-	T2 = .062" EM	113	CENTER BLOCK - RAD. RIGHT	-
SXX-442710-XXX BASE - ABS, BLACK					
STEP NO	DESCRIPTION	CUTTER	FIXTURE	ORIENTATION	PROGRAM
3	-	T2 = .062" EM	113	CENTER BLOCK - RAD. RIGHT	-

TOLERANCES: UNLESS OTHERWISE SPECIFIED
DIMENSIONS ARE IN U.S. INCHES.
X.XX = .015 X.XXXX = .001
X.XXX = .010 X.X° = 1°

NEW AGE ENCLOSURES
Customer's Part No: 442710

APPROVAL	BY	DATE
CHECK		
ENG.		
SCALE		
DRAWN BY	27-Jun-09	
M BOYER		

NEW AGE ENCLOSURES
4330 Santa Fe Road San Luis Obispo, CA. 93401
ph. (805) 595-1310 fax (805) 595-1024
www.newageenclosures.com

**MED. HANDHELD/WALL UTIL.
SXX-442710X ASSEMBLY**

SIZE	DRAWING NAME	SHEET	REV.DOC
A	442710X_R4_4	10 OF 10	4.4