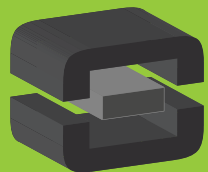




From Off-The-Shelf to Market-Ready© New Age Enclosures is your Single Source Solution.  
Let us quote modifying our Stock Enclosures to meet your end-use.  
visit [newageenclosures.com/services](http://newageenclosures.com/services) or call 855-4NA-ENCL today.

**CNC CUTOUTS**  
**PART DECORATING**  
**CUSTOM COLOR AND MATERIAL**  
**RF/EMI SHIELDING**  
**CUSTOM TOOL INSERTS**  
**CUSTOM ENCLOSURES AND DESIGN**



**NEW AGE**  
**ENCLOSURES**

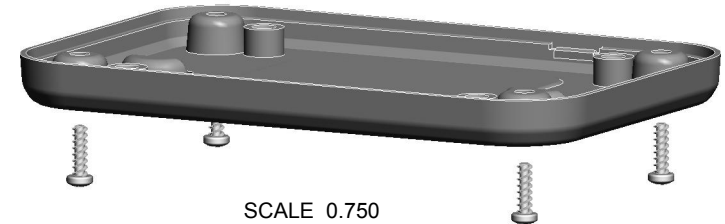
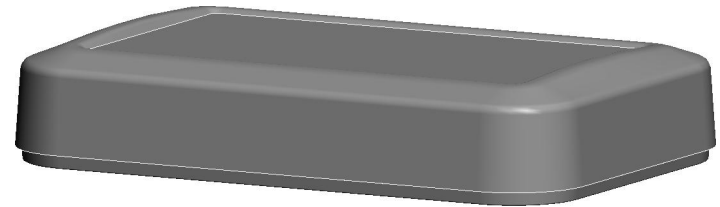
DEVELOP THE FUTURE



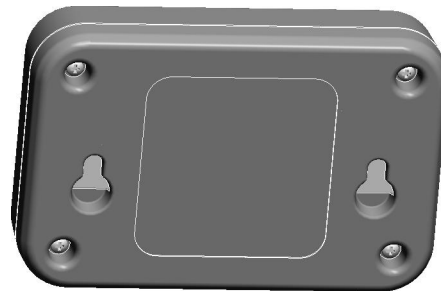
NOTES: UNLESS OTHERWISE SPECIFIED

1. CORNERS DRAWN SHARP TO BE R.005 MAXIMUM.
2. EXTERIOR SURFACE TEXTURE TO BE EQUIVALENT TO MT-11020. TEXTURE ON ENCLOSURE WILL VARY FROM TIME TO TIME AS THE TOOL WEARS AND IT BECOMES NECESSARY TO REAPPLY.
3. INTERIOR SURFACE TEXTURE TO BE: NONE.
4. ALL INSIDE RADII .010R. UNLESS OTHERWISE SPECIFIED.
5. ALL EXTERNAL DIMENSIONS AFFECTED BY THE DRAFT APPLY AT THE LARGE END OF THE FEATURE, AND ALL INTERNAL FEATURES AFFECTED BY THE DRAFT APPLY AT THE SMALL END OF THE FEATURE UNLESS OTHERWISE SPECIFIED.
6. ONE DEGREE DRAFT IN THE DIRECTION OF PULL IS PERMISSIBLE UNLESS OTHERWISE SPECIFIED.
7. MATERIAL / COLOR: ABS PLASTIC IS STANDARD IN BLACK OR WHITE. CUSTOM MATERIALS AND COLORS ARE AVAILABLE UPON REQUEST FOR QUOTE. ALTERNATE RESINS HAVE DIFFERENT SHRINK RATES, AND WILL EFFECT DIMENSIONS.
8. PCB SIZES ARE RECOMMENDATIONS ONLY. FINAL SIZES AND VERIFICATION OF ITS FIT ARE THE SOLE RESPONSIBILITY OF EACH CUSTOMER.
9. ASSEMBLY SCREWS FOR THE ENCLOSURE ARE INCLUDED. MOUNTING SCREWS FOR THE PCB AND WALL ARE SOLD SEPARATELY.
10. THIS DRAWING IS BASED ON A SOLID MODEL, AND IS FURTHER DEFINED BY THE SOLID MODEL FILE.
11. ALLOWABLE FLASH: 0.010 MAX.
12. ALL EJECTOR PIN MARKS TO BE WITHIN 0.010" OF FLUSH, PROTRUDING OR BELOW FLUSH.
13. TRIM GATE WITHIN 0.020" OF FLUSH.

R E V I S I O N					
REV.	DRAWN BY	ECO No	DESCRIPTION	DATE	APPROVE
A	R CRUZ		PRELIMINARY RELEASE	2020-Feb-20	D.C.
B	R CRUZ		UPDATE PER REVIEW	2020-Feb-28	D.C.
C	M BOYER		RESIZE FROM 443012 AND REDESIGN FROM SCRATCH	2020-Mar-19	D.C.
D	M BOYER		CHANGE SIZE OF ASSEMBLY SCREWS TO #4	2020-May-21	D.C.
1.0	R CRUZ	01820	UPDATE TO AS-BUILT AND RELEASE	2020-Oct-07	



SCALE 0.500



SCALE 0.750

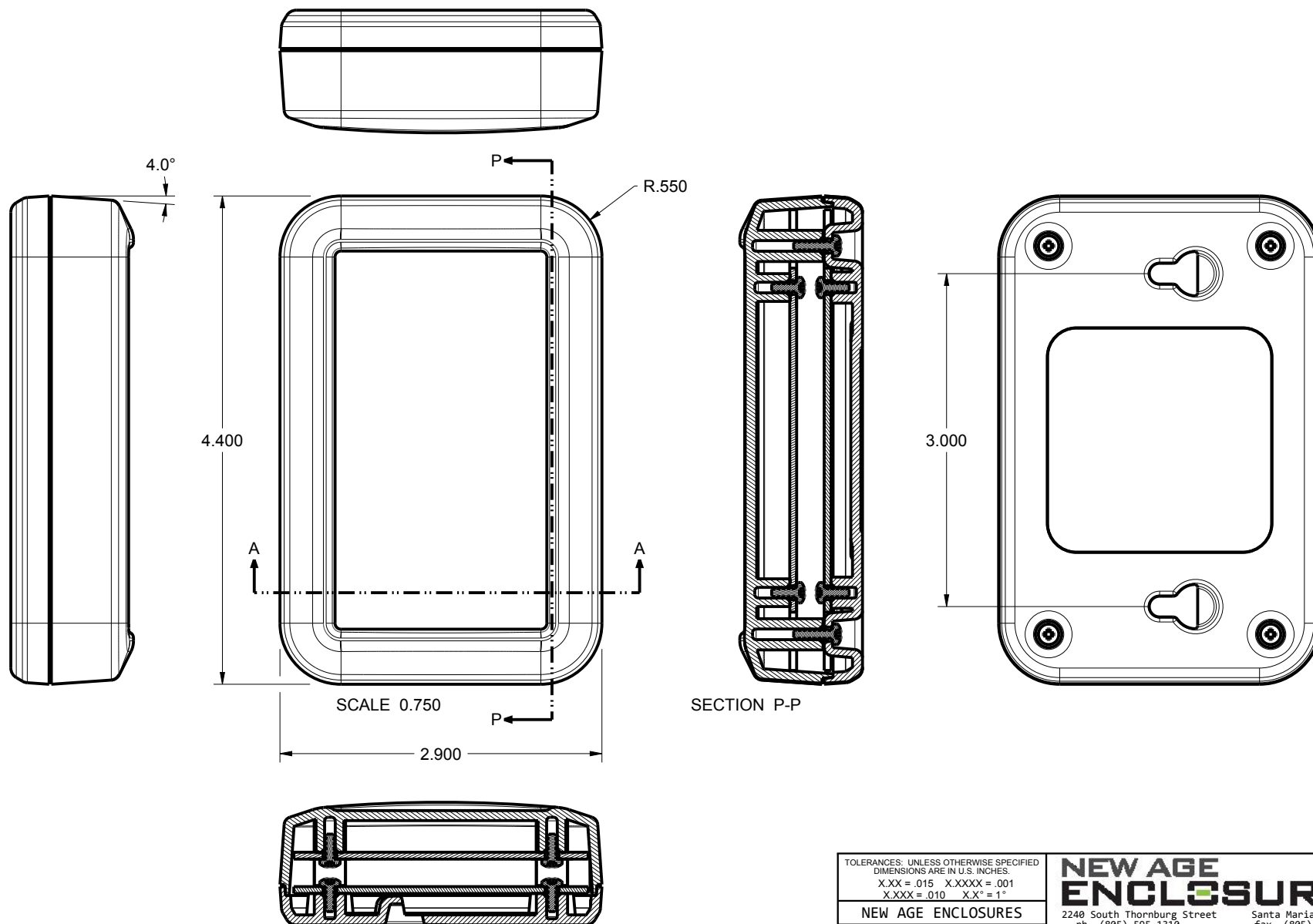
ITEM	FILE NAME	DESCRIPTION	MATERIAL	COLOR	QTY.
5	SCREW_HILO-N04X250	#4 HiLo x .250" SCREW	ZINC PLATED	SOLD SEPARATELY	8
4	SCREW_HILO-N04X375	#4 HiLo x .375" SCREW	ZINC PLATED	INCLUDED	4
3	442911-PCB	442911 PCB - REFERENCE	.062" THICK	CUSTOMER SUPPLIED	2
2	442911-COVER	442911 COVER - STANDARD	ABS	BLACK or WHITE	1
1	442911-BASE	442911 BASE - STANDARD	ABS	BLACK or WHITE	1

BILL OF MATERIALS

THIRD ANGLE PROJECTION DO NOT SCALE DRAWING	TOLERANCES: UNLESS OTHERWISE SPECIFIED DIMENSIONS ARE IN U.S. INCHES. X.XX = .015 X.XXXX = .001 X.XXX = .010 X.X" = 1°		<b>NEW AGE ENCLOSURES</b> 2240 South Thornburg Street Santa Maria, CA. 93455 ph. (805) 595-1310 fax (805) 595-1024 <a href="http://www.newageenclosures.com">www.newageenclosures.com</a>	
	NEW AGE ENCLOSURES Customer's Part No: 442911			
APPROVAL _____ BY _____ DATE _____ CHECK _____ ENG. _____ SCALE AS NOTED		<b>4½" WALL UTILITY - STANDARD</b> <b>SXX-442911-XXX</b>		SHEET 1 OF 6 REV.DOC 1.0
DRAWN BY M BOYER 2020-Mar-19		SIZE A	DRAWING NAME 442911_R1_0	

NOTICE: THE INFORMATION AND DATA CONTAINED HEREIN IS CONSIDERED PROPRIETARY TO ALLTEC INTEGRATED MFG INC & SHALL REMAIN THE EXCLUSIVE PROPERTY OF ALLTEC INTEGRATED MFG INC. THE HOLDER WILL ASSUME CUSTODY AND CONTROL THAT THIS DOCUMENT WILL NOT BE COPIED, REPRODUCED, OR POSSESSION OF THIS DOCUMENT DOES NOT CONSTITUTE A GRANT TO MANUFACTURE ANY ITEMS.  
© 2020

442911 ASSEMBLY



SCALE 0.750

SECTION P-P

SECTION A-A

TOLERANCES: UNLESS OTHERWISE SPECIFIED  
DIMENSIONS ARE IN U.S. INCHES.  
X.XX = .015 X.XXXX = .001  
X.XXX = .010 X.X° = 1°

**NEW AGE ENCLOSURES**  
2240 South Thornburg Street Santa Maria, CA. 93455  
ph. (805) 595-1310 fax (805) 595-1024

Customer's Part No: 442911

www.newageenclosures.com

APPROVAL	BY	DATE
CHECK		
ENG.		
SCALE	AS NOTED	

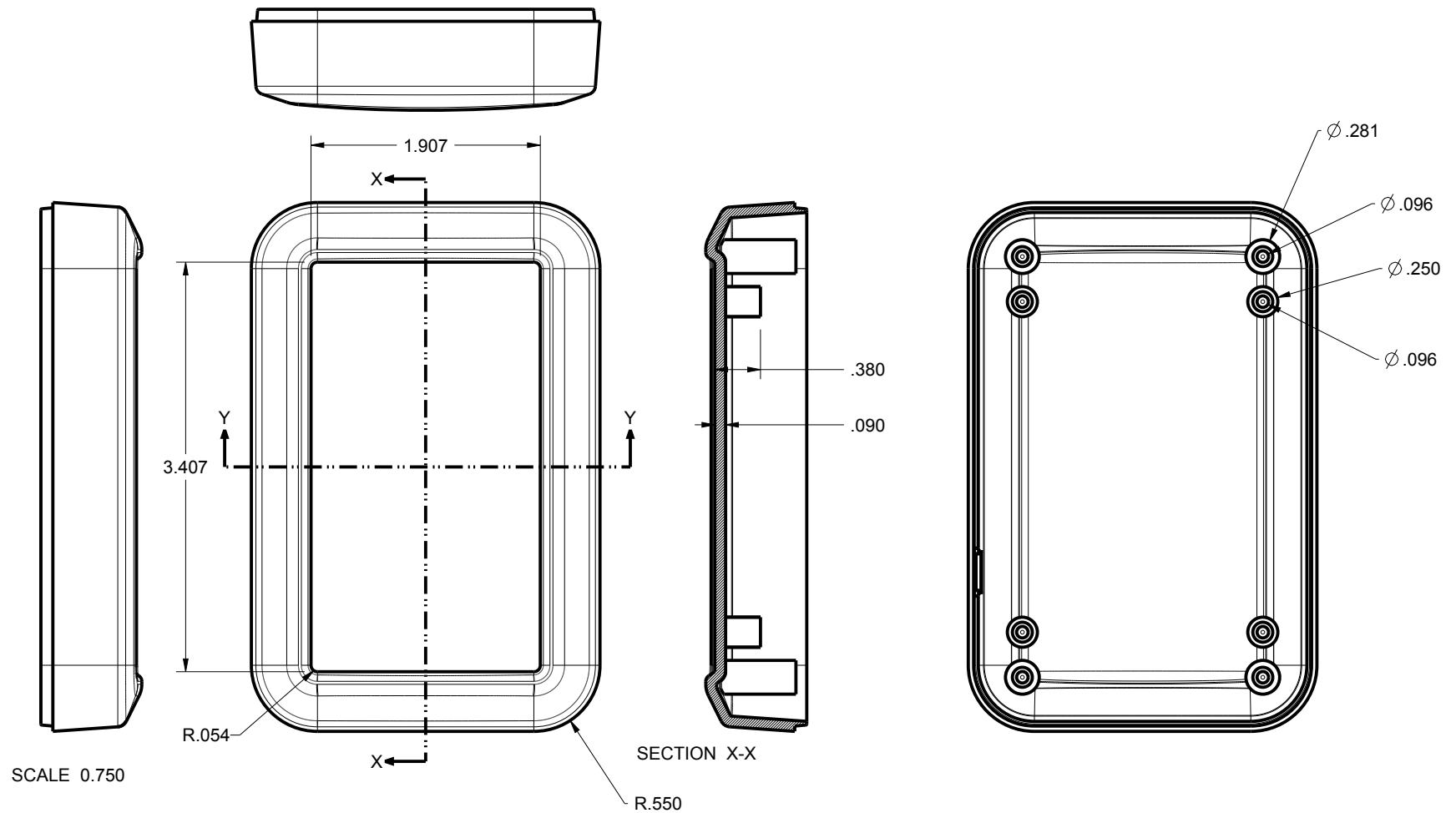
4½" WALL UTILITY - STANDARD  
SXX-442911-XXX

DRAWN BY  
M BOYER 2020-Mar-19

SIZE A DRAWING NAME  
442911\_R1\_0

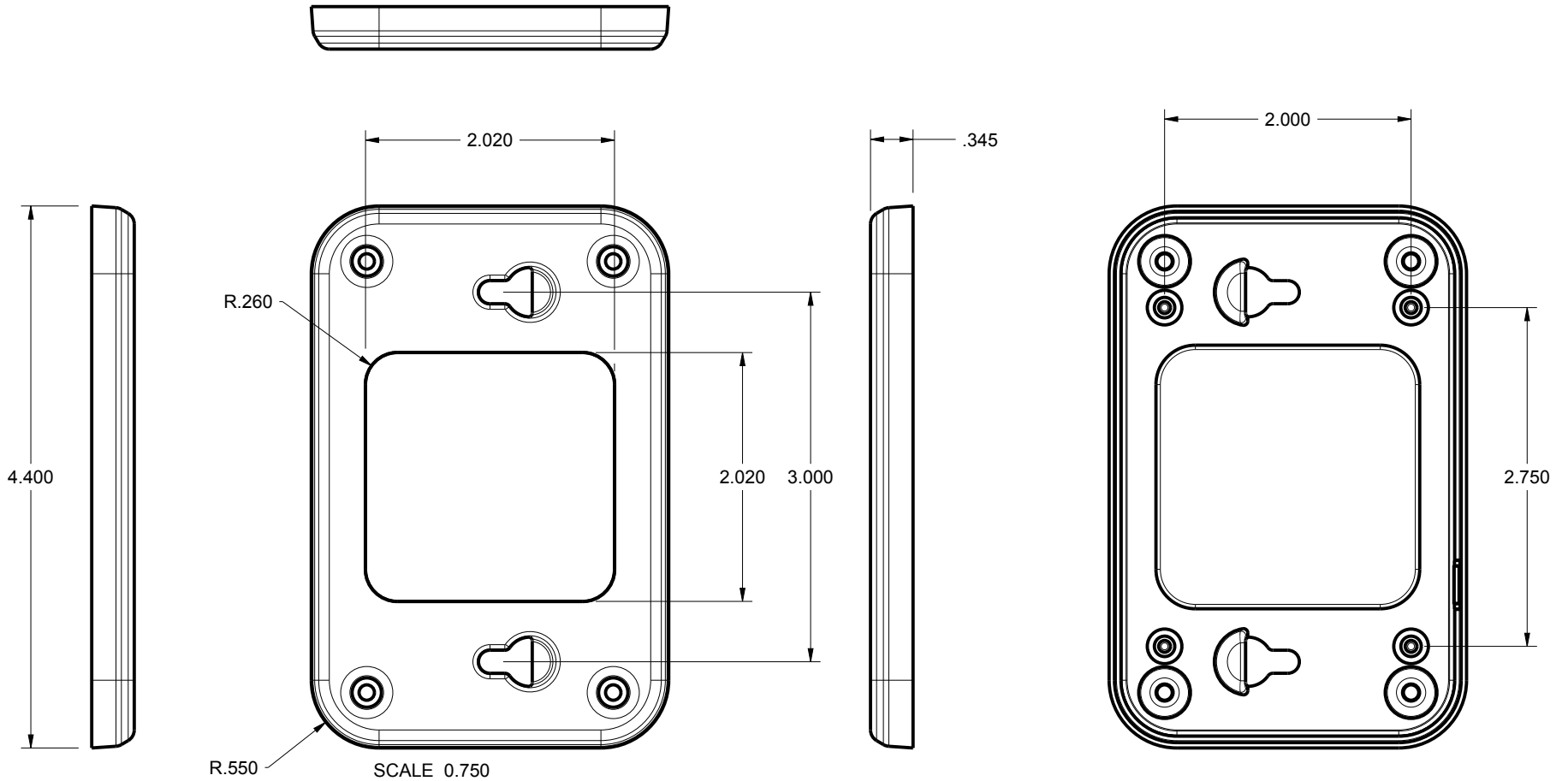
SHEET 2 OF 6 REV.DOC 1.0

# 442911 COVER



TOLERANCES: UNLESS OTHERWISE SPECIFIED DIMENSIONS ARE IN U.S. INCHES. X.XX = .015 X.XXXX = .001 X.XXX = .010 X.X° = 1°		<b>NEW AGE ENCLOSURES</b>	
NEW AGE ENCLOSURES		2240 South Thornburg Street Santa Maria, CA. 93455 ph. (805) 595-1310 fax (805) 595-1024 www.newageenclosures.com	
Customer's Part No: 442911			
APPROVAL	BY	DATE	4½" WALL UTILITY - STANDARD SXX-442911-XXX
CHECK			
ENG.			
SCALE	AS NOTED		
DRAWN BY	SIZE	DRAWING NAME	SHEET
M BOYER	2020-Mar-19	A 442911_R1_0	3 OF 6
			REV.DOC
			1.0

442911 BASE



TOLERANCES: UNLESS OTHERWISE SPECIFIED  
DIMENSIONS ARE IN U.S. INCHES.  
X.XX = .015 X.XXXX = .001  
X.XXX = .010 X.X° = 1°

NEW AGE ENCLOSURES

Customer's Part No: 442911

APPROVAL BY DATE

CHECK

ENG.

SCALE AS NOTED

DRAWN BY M BOYER 2020-Mar-19

**NEW AGE ENCLOSURES**

2240 South Thornburg Street Santa Maria, CA. 93455  
ph. (805) 595-1310 fax (805) 595-1024

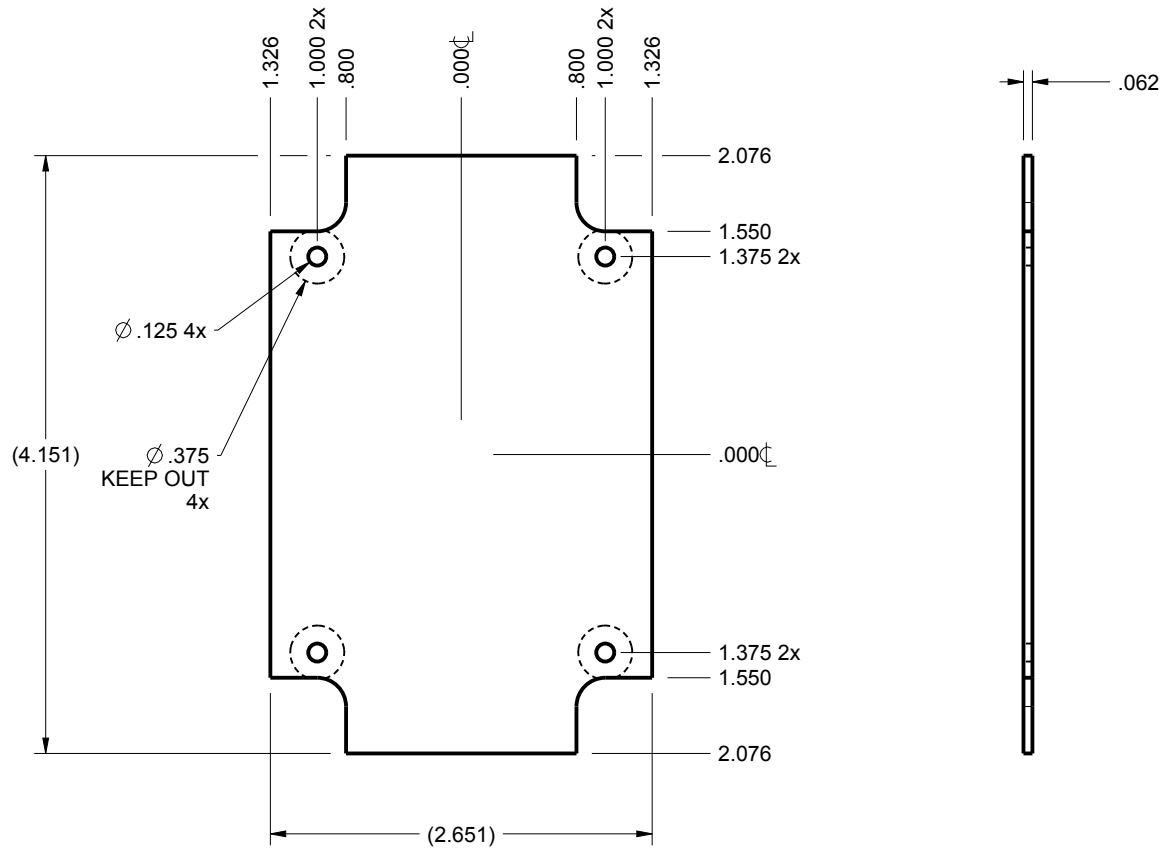
www.newageenclosures.com

4½" WALL UTILITY - STANDARD  
SXX-442911-XXX

SIZE A	DRAWING NAME 442911_R1_0	SHEET 4 OF 6	REV.DOC 1.0
--------	--------------------------	--------------	-------------

# 442911 PCB - CUSTOMER SUPPLIED

PCB SIZES ARE RECOMMENDATIONS ONLY. FINAL SIZES AND VERIFICATION OF ITS FIT ARE THE SOLE RESPONSIBILITY OF THE OEM.

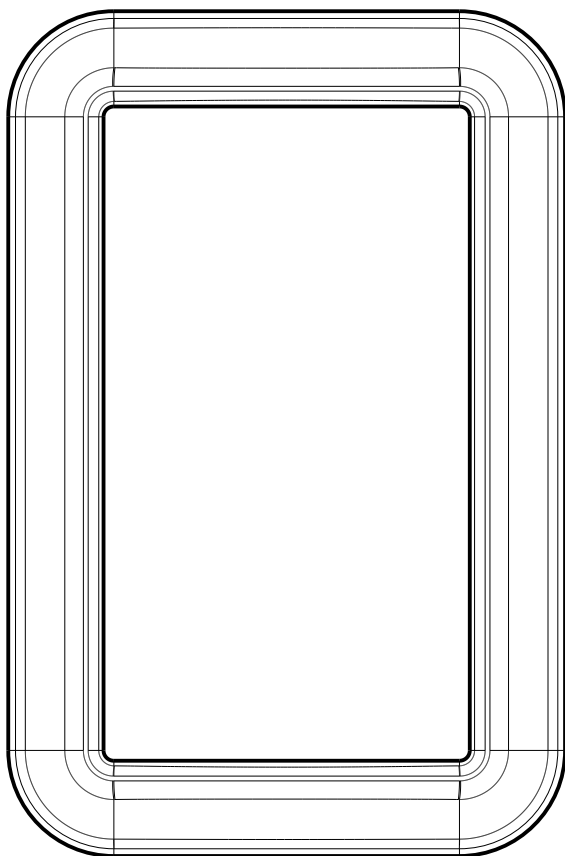


SCALE 0.750

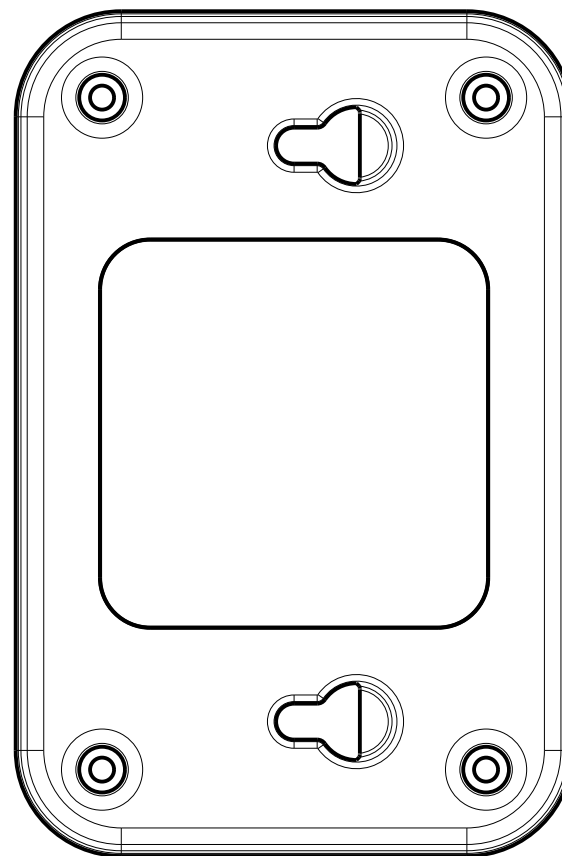
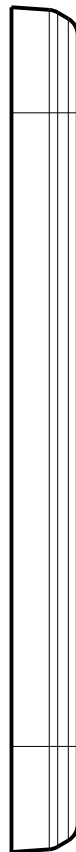
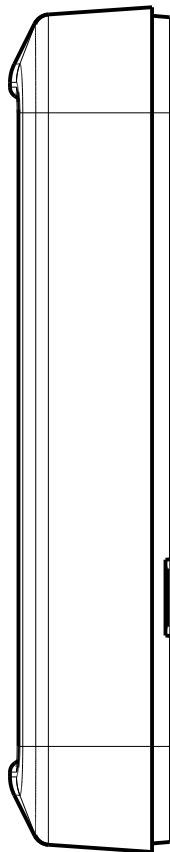
TOLERANCES: UNLESS OTHERWISE SPECIFIED DIMENSIONS ARE IN U.S. INCHES. X.XX = .015 X.XXXX = .001 X.XXX = .010 X.X° = 1°		<b>NEW AGE ENCLOSURES</b>		
NEW AGE ENCLOSURES		2240 South Thornburg Street Santa Maria, CA. 93455 ph. (805) 595-1310 fax (805) 595-1024 www.newageenclosures.com		
Customer's Part No: 442911				
APPROVAL	BY	DATE	4½" WALL UTILITY - STANDARD SXX-442911-XXX	
CHECK				
ENG.				
SCALE	AS NOTED			
DRAWN BY	SIZE	DRAWING NAME	SHEET	REV.DOC
M BOYER	2020-Mar-19	A 442911_R1_0	5 OF 6	1.0

## 442911 2nd OPERATIONS

NEW AGE ENCLOSURES DELIVERS YOUR ENCLOSURE MARKET-READY WITH IN-HOUSE  
CNC MACHINING, PAD PRINTING, ASSEMBLY, AND FULFILLMENT.  
ALL SURFACES AND AREAS ARE AVAILABLE FOR CNC ALTERATION BY NEW AGE ENCLOSURES  
CALL (805) 595-1310 FOR PRICING AND SCHEDULE.  
THE INSIDE RADIUS OF ANY MACHINED FEATURES SHOULD BE NO SMALLER THAN .031"



SCALE 1.000



SCALE 1.000

### SXX-442911-XXX COVER - ABS, BLACK

STEP	DESCRIPTION	CUTTER	FIXTURE	ORIENTATION	PROGRAM
1-C-C1	-	T2 = .062" EM	-	-	o1001
2-C-C2	-	T2 = .062" EM	-	-	o1002

TOLERANCES: UNLESS OTHERWISE SPECIFIED  
DIMENSIONS ARE IN U.S. INCHES.  
X.XX = .015 X.XXXX = .001  
X.XXX = .010 X.X° = 1°

**NEW AGE ENCLOSURES**

Customer's Part No: 442911

APPROVAL	BY	DATE
CHECK		
ENG.		
SCALE	AS NOTED	
DRAWN BY		
M BOYER		2020-Mar-19

## NEW AGE ENCLOSURES

2240 South Thornburg Street Santa Maria, CA. 93455  
ph. (805) 595-1310 fax (805) 595-1024  
[www.newageenclosures.com](http://www.newageenclosures.com)

**4½" WALL UTILITY - STANDARD  
SXX-442911-XXX**

SIZE	DRAWING NAME	SHEET	REV.DOC
A	442911_R1_0	6 OF 6	1.0