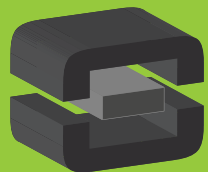


From Off-The-Shelf to Market-Ready© New Age Enclosures is your Single Source Solution.
Let us quote modifying our Stock Enclosures to meet your end-use.
visit newageenclosures.com/services or call 855-4NA-ENCL today.

CNC CUTOUTS
PART DECORATING
CUSTOM COLOR AND MATERIAL
RF/EMI SHIELDING
CUSTOM TOOL INSERTS
CUSTOM ENCLOSURES AND DESIGN



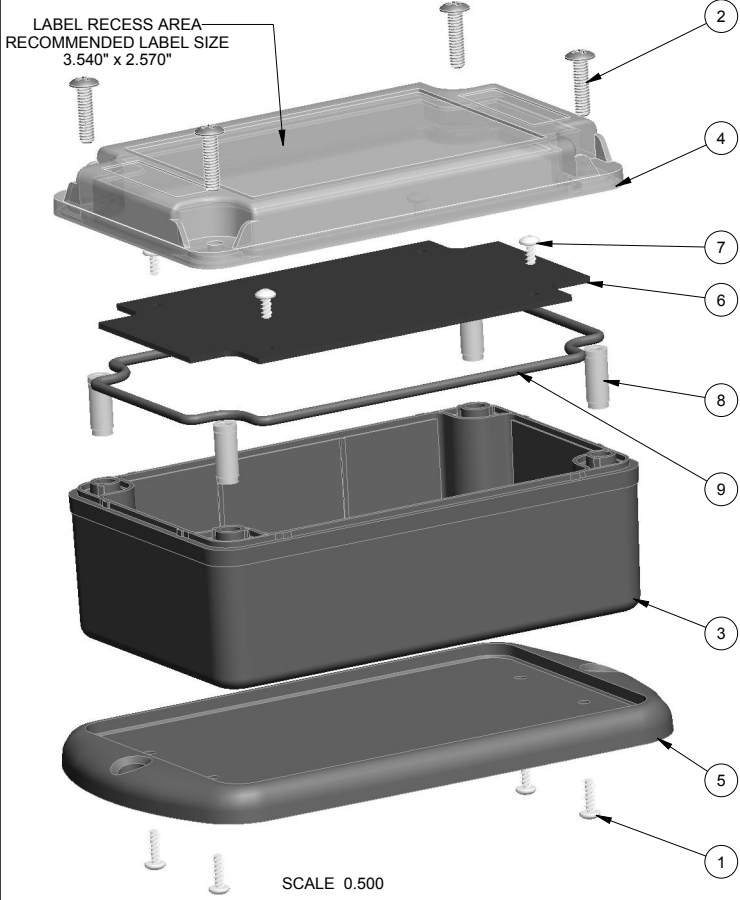
NEW AGE
ENCLOSURES

DEVELOP THE FUTURE



R E V I S I O N

REV.	DRAWN BY	ECO No	DESCRIPTION	DATE	APPROVED
1	M BOYER		PRELIMINARY RELEASE	11-Dec-08	D.C.
			REVISIONS 2-8.1 ARCHIVED ON REV 8.1		
9.0	R CRUZ	03115	CHANGED O-RING COLOR FROM NATURAL TO BLUE	06-Jul-15	D.C.
10.0	R CRUZ	02918	REMOVE CONFIG TABLE, UPDATE O-RING & NOTE 7	2018-Oct-31	



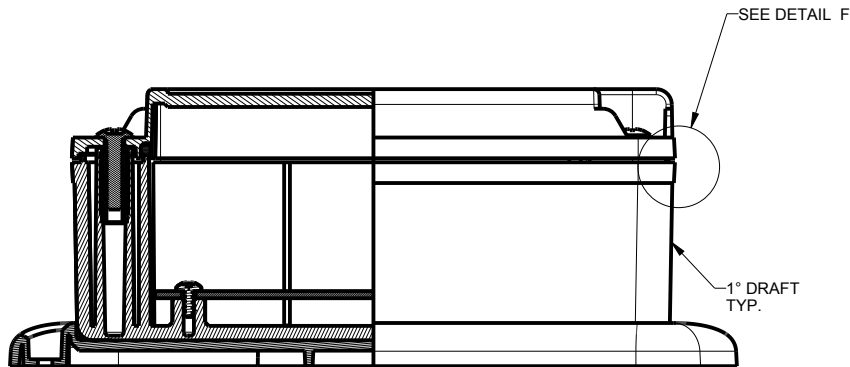
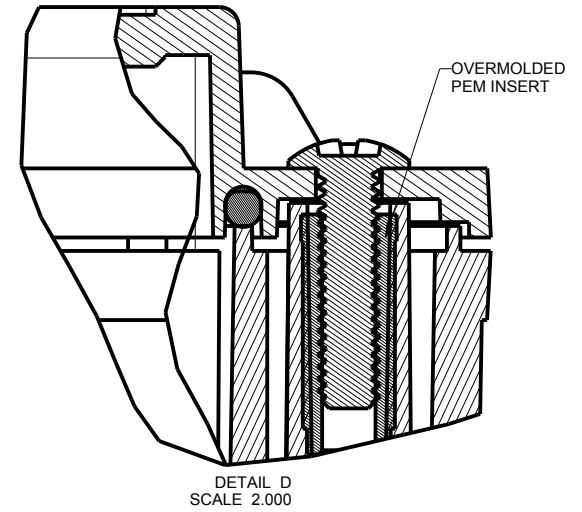
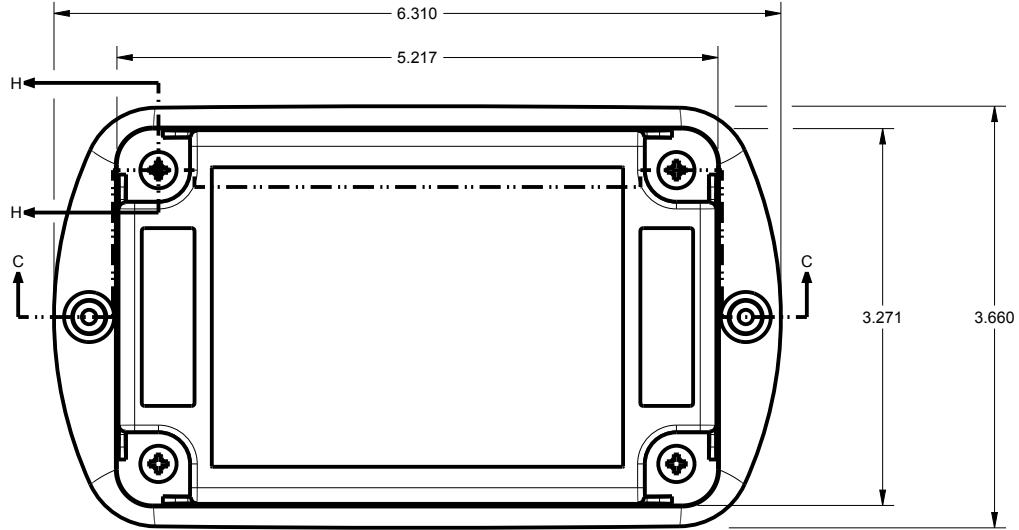
- NOTES: UNLESS OTHERWISE SPECIFIED
- CORNERS DRAWN SHARP TO BE R.005 MAXIMUM.
 - EXTERIOR SURFACE TEXTURE TO BE LIGHT EDM FINISH. EQUIVELANT TO MT-11020.
 - INTERIOR SURFACE TEXTURE TO BE: NONE.
 - ALL INSIDE RADII .010R. ALL OUTSIDE RADII .020R MAX, UNLESS OTHERWISE SPECIFIED.
 - ALL EXTERNAL DIMENSIONS AFFECTED BY THE DRAFT APPLY AT THE LARGE END OF THE FEATURE, AND ALL INTERNAL FEATURES AFFECTED BY THE DRAFT APPLY AT THE SMALL END OF THE FEATURE UNLESS OTHERWISE SPECIFIED.
 - 1 DEGREE DRAFT IN THE DIRECTION OF PULL IS PERMISSIBLE UNLESS OTHERWISE SPECIFIED.
 - MATERIAL / COLOR: ENCLOSURE IS STANDARD IN BLACK OR GRAY ASA PLASTIC. SLIGHT COSMETIC SWIRLING, BLUSHING, AND/OR DISCOLORATION CAN OCCUR IN THIS ENCLOSURE DUE TO UV INHIBITORS IN THE RESIN. CUSTOM MATERIALS AND COLORS ARE AVAILABLE UPON REQUEST FOR QUOTE.
 - PCB SIZES ARE RECOMMENDATIONS ONLY. FINAL SIZES AND VERIFICATION OF ITS FIT ARE THE SOLE RESPONSIBILITY OF EACH OWNER.
 - STANDARD OR CUSTOM LABEL RECESSES ARE AVAILABLE UPON REQUEST FOR QUOTE.
 - ASSEMBLY SCREWS PROVIDED, PCB MOUNTING SCREWS ARE SOLD SEPERATELY.
 - OPERATING TEMPERATURE RANGE OF ENCLOSURE IS: -40°F to +180°F
 - THIS ENCLOSURE IS CONSTRUCTED FOR INDOOR OR OUTDOOR USE TO PROVIDE A DEGREE OF PROTECTION TO THE EQUIPMENT INSIDE AGAINST THE INGRESS OF SOLID FOREIGN OBJECTS (FALLING DIRT); AND TO PROVIDE A DEGREE OF PROTECTION WITH RESPECT TO HARMFUL EFFECTS ON THE EQUIPMENT DUE TO THE INGRESS OF WATER (DRIPPING AND SPLASHING).

ITEM	FILE NAME	DESCRIPTION	MATERIAL	COLOR	QTY.
9	523322_ORING	523322 ORING	OR-156	SHORE A	1
8	PEM-INSERT_8-32	PEM THREADED INSERT - BRASS	STKB-832-20	OVERMOLDED	4
7	SCREW_HILO-N04X250	#4 HILO SCREW x .250"	ZINC PLATED	CUSTOMER SUPPLIED	4
6	523322_PCB	523322 PCB - REFERENCE	.062" THICK	CUSTOMER SUPPLIED	1
5	523322_WALL	523322 WALL PLATE - STANDARD	ASA	BLACK or GRAY	1
4	523322_COVER	523322 COVER - STANDARD	ASA	BLACK or GRAY	1
3	523322_BASE	523322 BASE - STANDARD	ASA	BLACK or GRAY	1
2	8-32_MACH_SCREW	8-32 MACHINE SCREW	8x32x.500	.50" LONG	4
1	SCREW_HILO-N04X375	#4 HILO SCREW x .375"	ZINC PLATED	.375" LONG	4

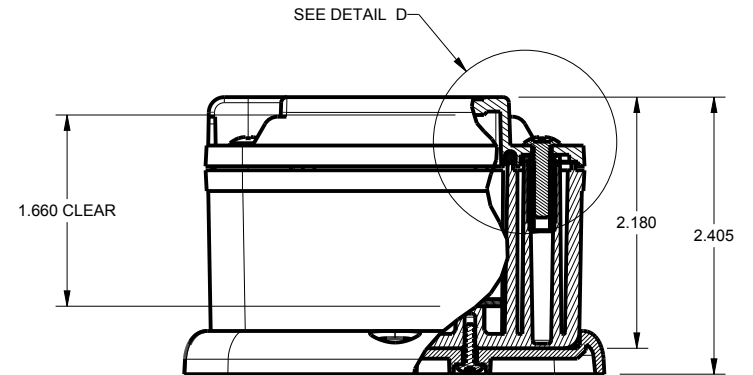
BILL OF MATERIALS

<p>THIRD ANGLE PROJECTION DO NOT SCALE DRAWING</p>	TOLERANCES: UNLESS OTHERWISE SPECIFIED DIMENSIONS ARE IN U.S. INCHES. X.XX = .015 X.XXXX = .001 X.XXX = .010 X.X" = 1°		<p>NEW AGE ENCLOSURES 2240 South Thornburg Street Santa Maria, CA. 93455 ph. (805) 595-1310 fax (805) 595-1024 www.newageenclosures.com</p>
	Customer's Part No: 523322		
APPROVAL BY DATE CHECK _____ ENG. _____ SCALE AS NOTED	DRAWN BY M BOYER 11-Dec-08		STANDARD - OUTDOOR UTIL. SXL-523322 ASSEMBLY
SIZE A	DRAWING NAME 523322_R10_0	SHEET 1 OF 7	REV.DOC 10.0

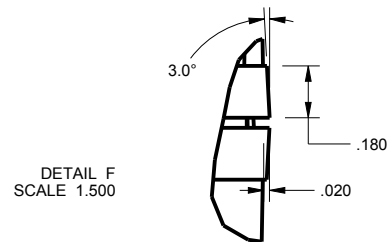
NOTICE: THE INFORMATION AND DATA CONTAINED HEREIN IS CONSIDERED PROPRIETARY TO ALLTEC INTEGRATED MFG INC & SHALL REMAIN THE EXCLUSIVE PROPERTY OF ALLTEC INTEGRATED MFG INC. THE HOLDER WILL ASSUME CUSTODY AND CONTROL THAT THIS DOCUMENT WILL NOT BE COPIED, REPRODUCED, OR DISCLOSED WITHOUT THE EXPRESS WRITTEN CONSENT OF ALLTEC INTEGRATED MFG INC. THIS DOCUMENT DOES NOT CONSTITUTE A GRANT TO MANUFACTURE ANY ITEMS. © 2018



SECTION C-C
SCALE 0.600



SECTION H-H



DETAIL F
SCALE 1.500

TOLERANCES: UNLESS OTHERWISE SPECIFIED
DIMENSIONS ARE IN U.S. INCHES.
X.XX = .015 X.XXXX = .001
X.XXX = .010 X.X° = 1°

NEW AGE ENCLOSURES

Customer's Part No: 523322

APPROVAL	BY	DATE
CHECK		
ENG.		
SCALE	AS NOTED	
DRAWN BY	M BOYER	
	11-Dec-08	

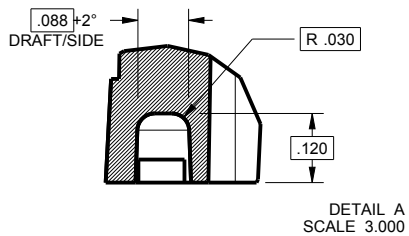
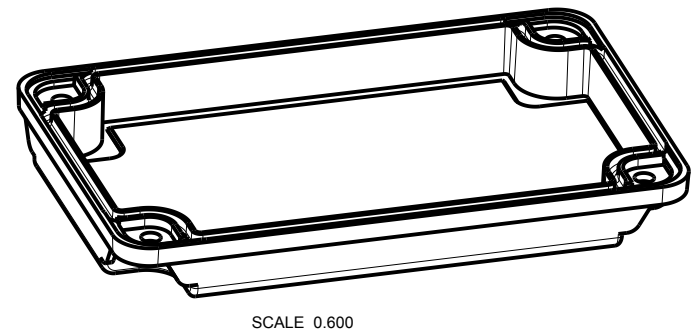
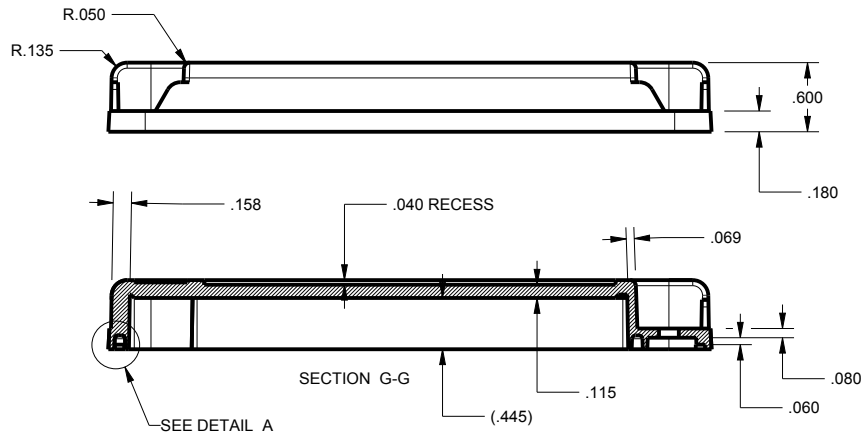
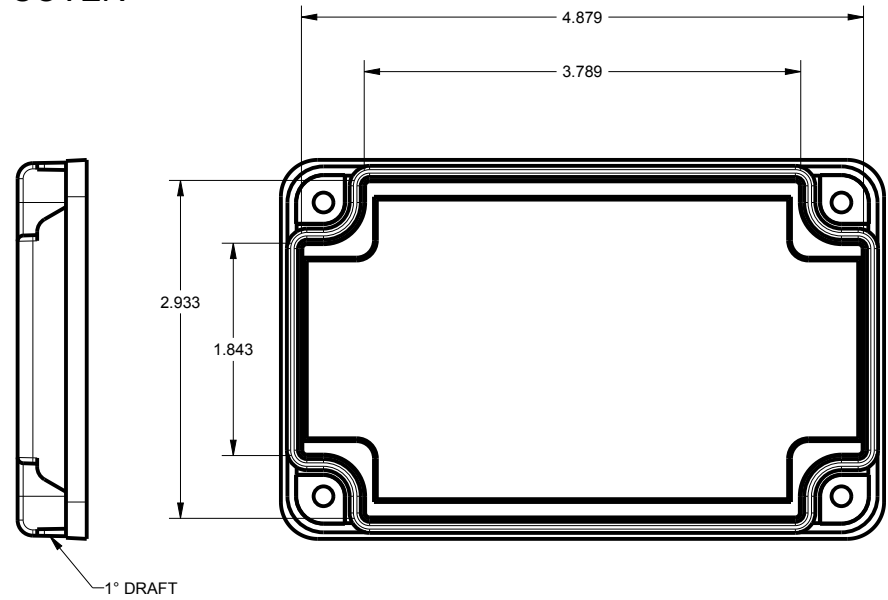
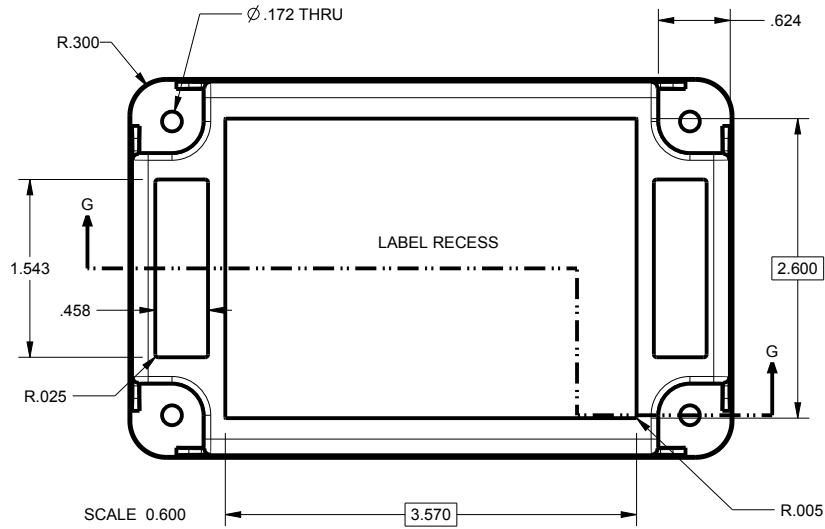
NEW AGE ENCLOSURES

2240 South Thornburg Street Santa Maria, CA. 93455
ph. (805) 595-1310 fax (805) 595-1024
www.newageenclosures.com

**STANDARD - OUTDOOR UTIL.
SXL-523322 ASSEMBLY**

SIZE	DRAWING NAME	SHEET	REV.DOC
A	523322_R10_0	2 OF 7	10.0

523322 COVER



TOLERANCES: UNLESS OTHERWISE SPECIFIED
DIMENSIONS ARE IN U.S. INCHES.
X.XX = .015 X.XXXX = .001
X.XXX = .010 X.X° = 1°

NEW AGE ENCLOSURES
Customer's Part No: 523322

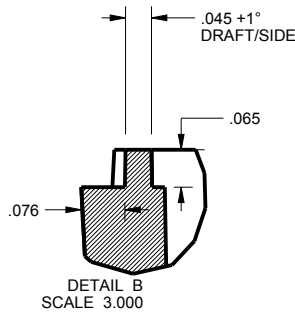
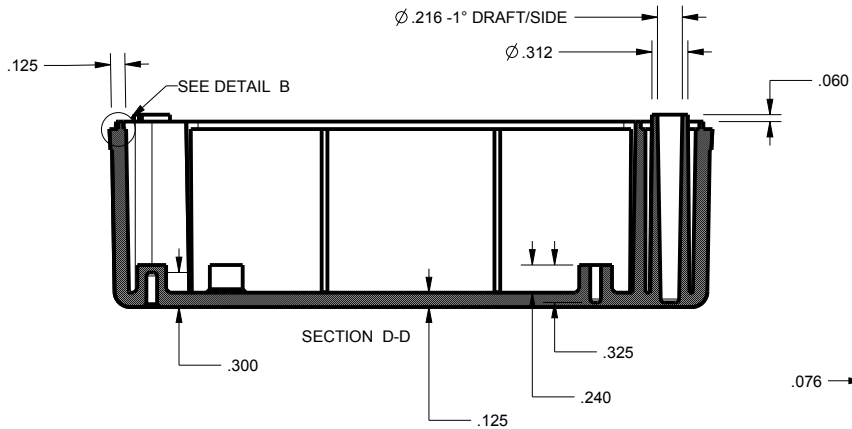
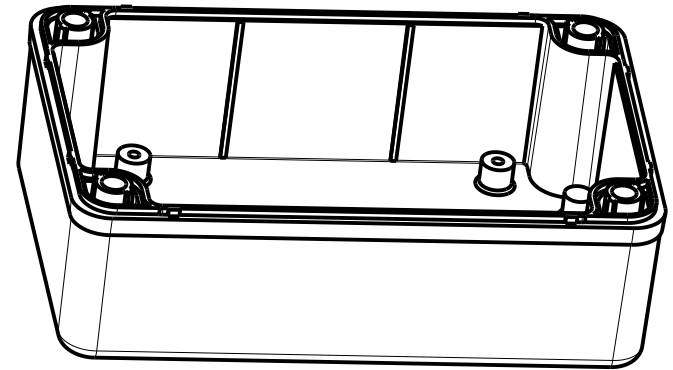
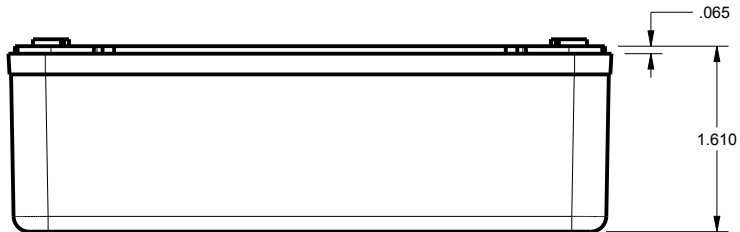
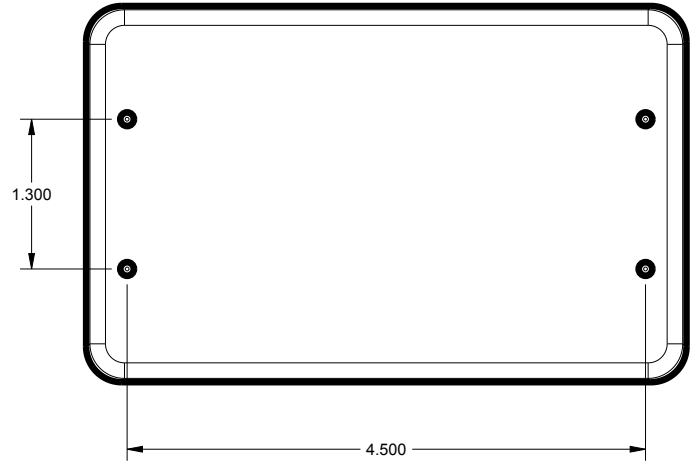
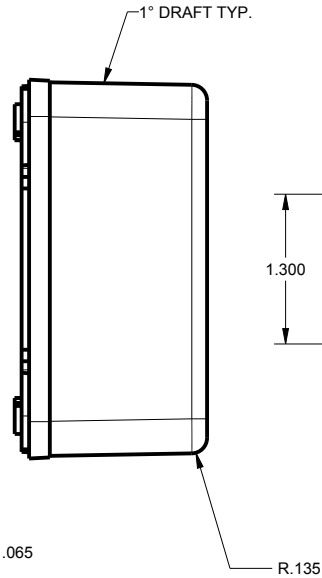
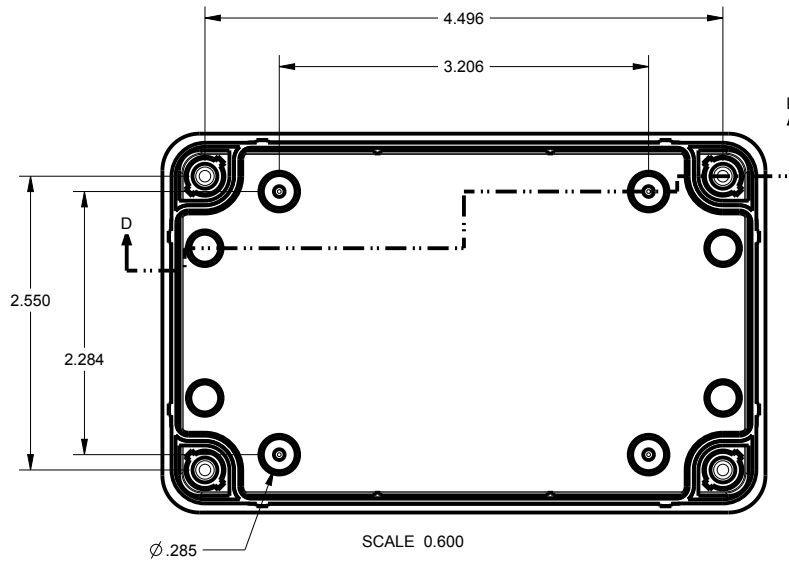
APPROVAL	BY	DATE
CHECK		
ENG.		
SCALE	AS NOTED	
DRAWN BY	11-Dec-08	
M BOYER		

NEW AGE ENCLOSURES
2240 South Thornburg Street Santa Maria, CA. 93455
ph. (805) 595-1310 fax (805) 595-1024
www.newageenclosures.com

STANDARD - OUTDOOR UTIL.
SXL-523322 ASSEMBLY

SIZE	DRAWING NAME	SHEET	REV.DOC
A	523322_R10_0	3 OF 7	10.0

523322 BASE



TOLERANCES: UNLESS OTHERWISE SPECIFIED
DIMENSIONS ARE IN U.S. INCHES.
X.XX = .015 X.XXXX = .001
X.XXX = .010 X.X° = 1°

NEW AGE ENCLOSURES
Customer's Part No: 523322

APPROVAL BY DATE

CHECK

ENG.

SCALE AS NOTED

DRAWN BY M BOYER 11-Dec-08

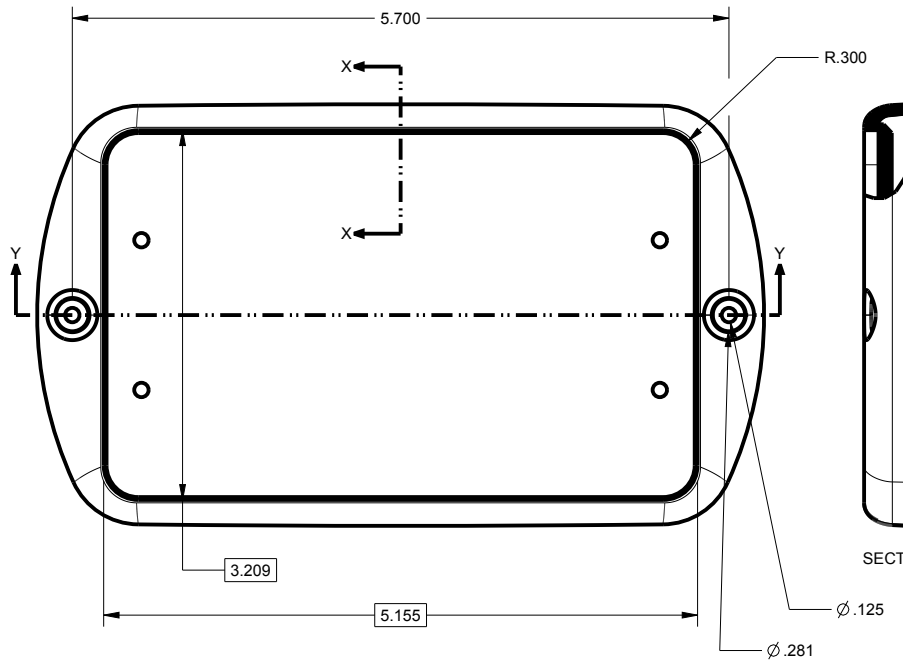
NEW AGE ENCLOSURES
2240 South Thornburg Street Santa Maria, CA. 93455
ph. (805) 595-1310 fax (805) 595-1024
www.newageenclosures.com

STANDARD - OUTDOOR UTIL.
SXL-523322 ASSEMBLY

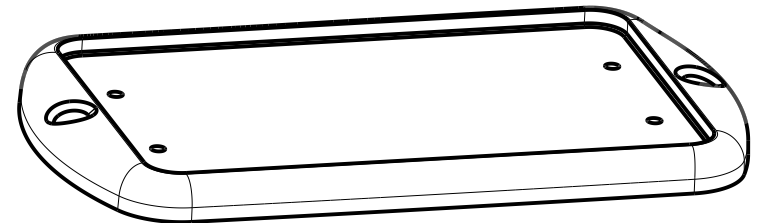
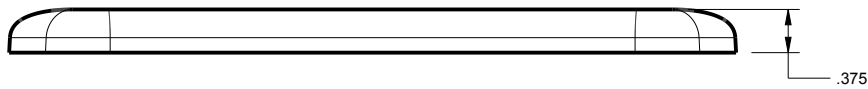
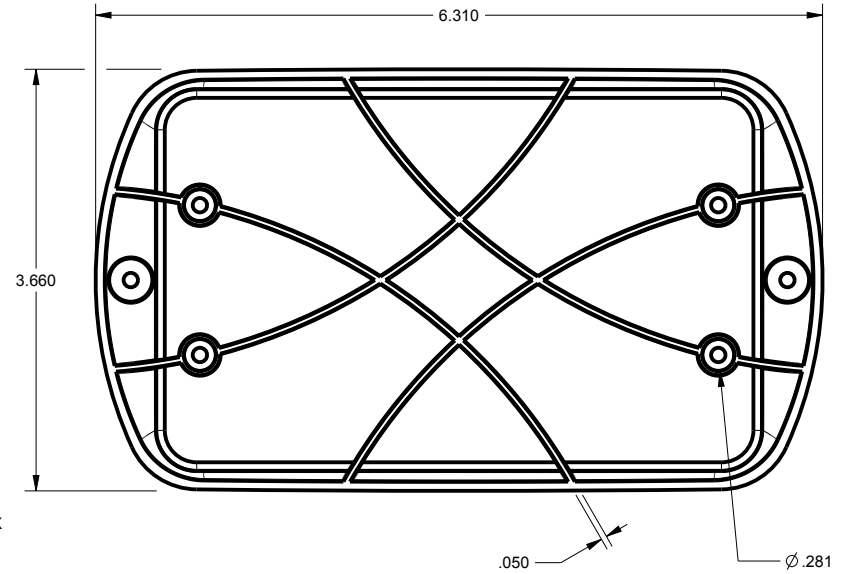
SIZE A DRAWING NAME 523322_R10_0

SHEET 4 OF 7 REV.DOC 10.0

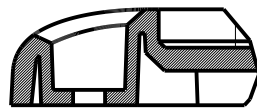
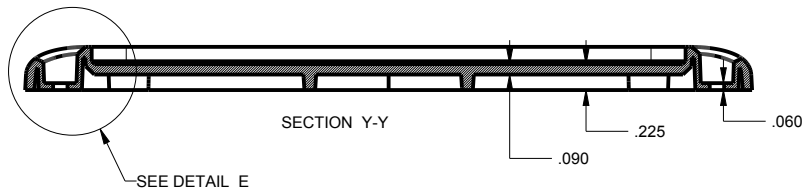
523322 WALL



SCALE 0.600



SCALE 0.600



DETAIL E
SCALE 1.332

TOLERANCES: UNLESS OTHERWISE SPECIFIED
DIMENSIONS ARE IN U.S. INCHES.
X.XX = .015 X.XXXX = .001
X.XXX = .010 X.X° = 1°

NEW AGE ENCLOSURES
2240 South Thornburg Street Santa Maria, CA. 93455
ph. (805) 595-1310 fax (805) 595-1024

NEW AGE ENCLOSURES
Customer's Part No: 523322

www.newageenclosures.com

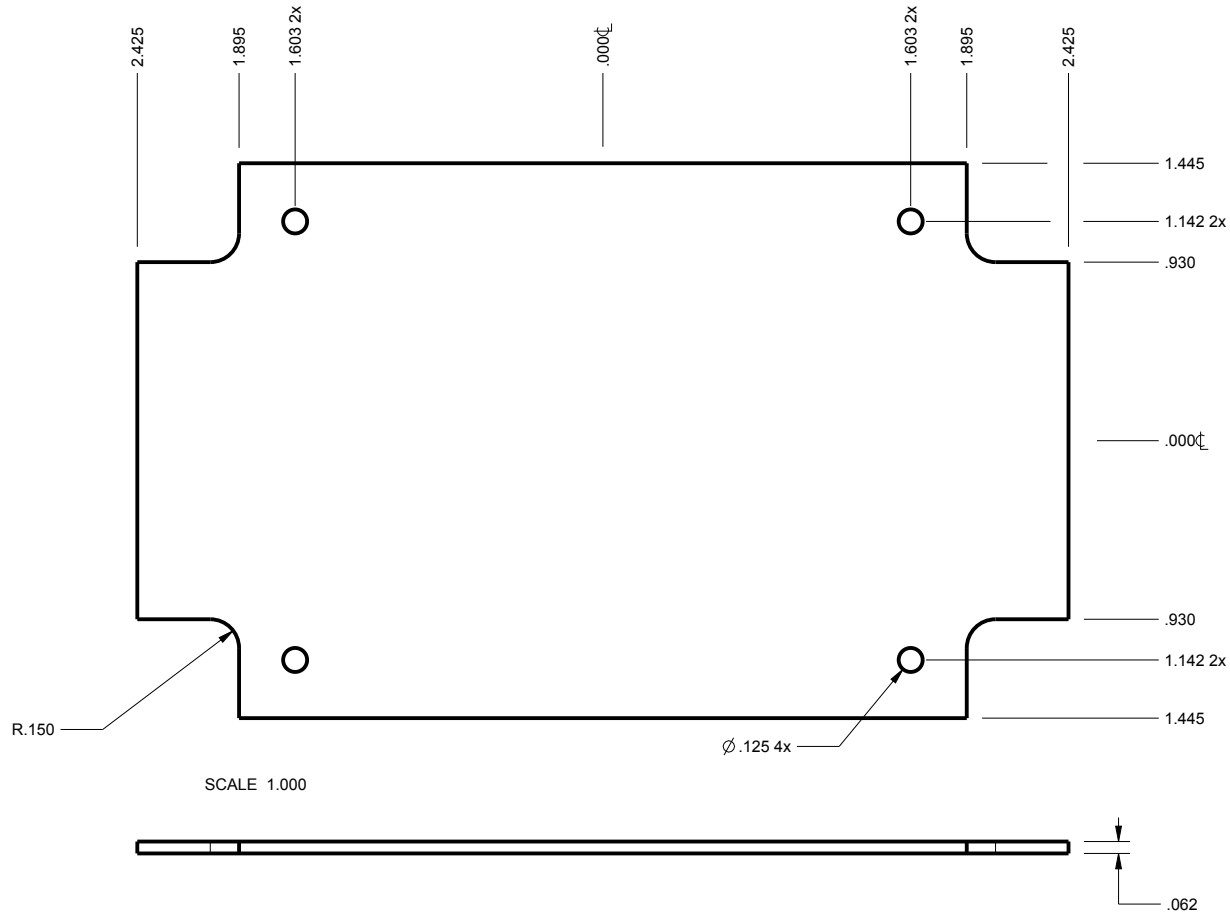
APPROVAL	BY	DATE
CHECK		
ENG.		
SCALE	AS NOTED	
DRAWN BY	M BOYER	
	11-Dec-08	

STANDARD - OUTDOOR UTIL.
SXL-523322 ASSEMBLY

SIZE	DRAWING NAME	SHEET	REV.DOC
A	523322_R10_0	5 OF 7	10.0

523322 PCB - CUSTOMER SUPPLIED

PCB SIZES ARE RECOMMENDATIONS ONLY. FINAL SIZES AND VERIFICATION OF ITS FIT ARE THE SOLE RESPONSIBILITY OF THE OEM.



TOLERANCES: UNLESS OTHERWISE SPECIFIED
DIMENSIONS ARE IN U.S. INCHES.
X.XX = .015 X.XXXX = .001
X.XXX = .010 X.X° = 1°

NEW AGE ENCLOSURES
Customer's Part No: 523322

APPROVAL	BY	DATE
CHECK		
ENG.		
SCALE	AS NOTED	

DRAWN BY	SIZE	DRAWING NAME
M BOYER	A	523322_R10_0

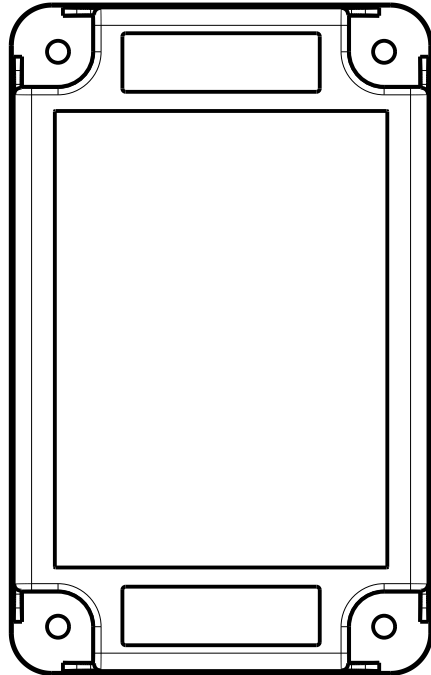
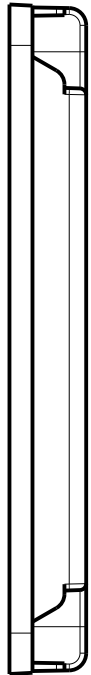
NEW AGE ENCLOSURES
2240 South Thornburg Street Santa Maria, CA. 93455
ph. (805) 595-1310 fax (805) 595-1024
www.newageenclosures.com

STANDARD - OUTDOOR UTIL.
SXL-523322 ASSEMBLY

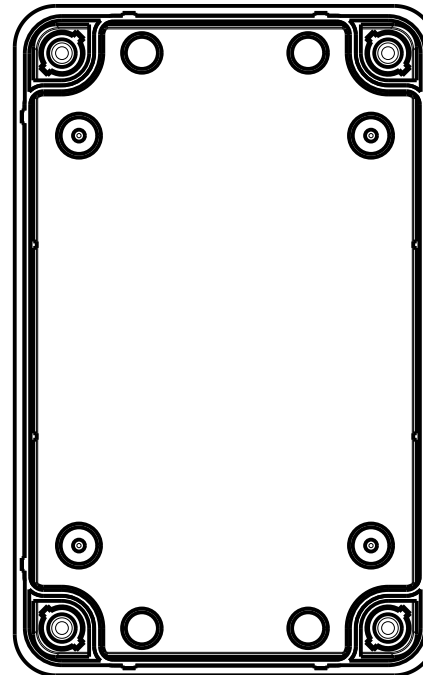
SHEET	REV.DOC
6 OF 7	10.0

2nd OPERATION DETAILS

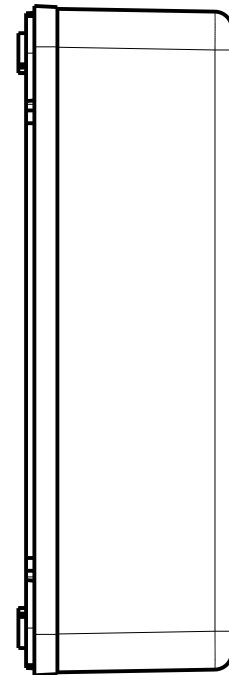
NEW AGE ENCLOSURES DELIVERS YOUR ENCLOSURE MARKET-READY WITH IN-HOUSE
CNC MACHINING, PAD PRINTING, ASSEMBLY, AND FULFILLMENT.
ALL SURFACES AND AREAS ARE AVAILABLE FOR CNC ALTERATION BY NEW AGE ENCLOSURES
CALL (805) 595-1310 FOR PRICING AND SCHEDULE.
THE INSIDE RADIUS OF ANY MACHINED FEATURES SHOULD BE NO SMALLER THAN .031"



523322 COVER
SCALE 0.666



523322 BASE
SCALE 0.666



SXL-523322-XXX BASE - ASA, BLACK

STEP NO	DESCRIPTION	CUTTER	FIXTURE	ORIENTATION	PROGRAM
1	-	T2 = .062" EM	216	-	-
2	-	T2 = .062" EM	216	-	-
3	-	T2 = .062" EM	216	-	-

TOLERANCES: UNLESS OTHERWISE SPECIFIED
DIMENSIONS ARE IN U.S. INCHES.
X.XX = .015 X.XXXX = .001
X.XXX = .010 X.X° = 1°

NEW AGE ENCLOSURES

Customer's Part No: 523322

APPROVAL	BY	DATE
CHECK		
ENG.		
SCALE	AS NOTED	
DRAWN BY		
M BOYER	11-Dec-08	

NEW AGE ENCLOSURES

2240 South Thornburg Street Santa Maria, CA. 93455
ph. (805) 595-1310 fax (805) 595-1024
www.newageenclosures.com

STANDARD - OUTDOOR UTIL. SXL-523322 ASSEMBLY

SIZE	DRAWING NAME	SHEET	REV.DOC
A	523322_R10_0	7 OF 7	10.0