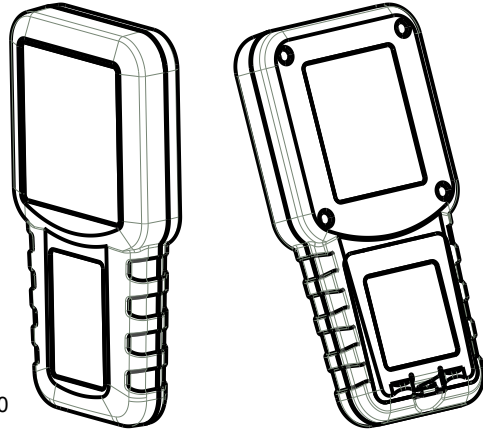


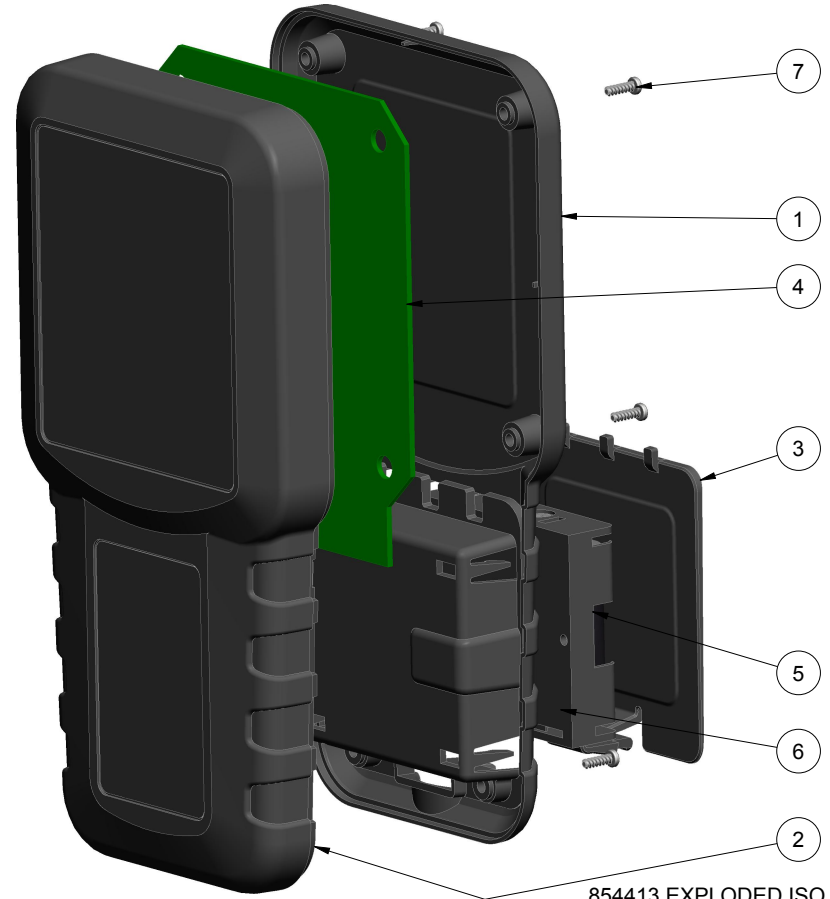
NOTES: UNLESS OTHERWISE SPECIFIED

- CORNERS DRAWN SHARP TO BE R.005 MAXIMUM.
- EXTERIOR SURFACE TEXTURE TO BE EQUIVALENT TO MT-11020 WITH MT-11010 ON ALL RECESSES AND FINGER GROOVES. TEXTURE ON ENCLOSURE WILL VARY FROM TIME TO TIME AS THE TOOL WEARS AND IT BECOMES NECESSARY TO REAPPLY.
- INTERIOR SURFACE TEXTURE TO BE: B1 OR EQUIVALENT.
- ALL INSIDE RADII .010R. UNLESS OTHERWISE SPECIFIED.
- ALL EXTERNAL DIMENSIONS AFFECTED BY THE DRAFT APPLY AT THE LARGE END OF THE FEATURE, AND ALL INTERNAL FEATURES AFFECTED BY THE DRAFT APPLY AT THE SMALL END OF THE FEATURE UNLESS OTHERWISE SPECIFIED.
- ONE DEGREE DRAFT IN THE DIRECTION OF PULL IS PERMISSIBLE UNLESS OTHERWISE SPECIFIED.
- MATERIAL / COLOR: ABS PLASTIC IS STANDARD IN BLACK OR WHITE. CUSTOM MATERIALS AND COLORS ARE AVAILABLE UPON REQUEST FOR QUOTE. ALTERNATE RESINS HAVE DIFFERENT SHRINK RATES, AND WILL EFFECT DIMENSIONS.
- PCB SIZES ARE RECOMMENDATIONS ONLY. FINAL SIZES AND VERIFICATION OF ITS FIT ARE THE SOLE RESPONSIBILITY OF EACH CUSTOMER.
- ASSEMBLY SCREWS FOR THE ENCLOSURE ARE INCLUDED.
- THIS DRAWING IS BASED ON A SOLID MODEL, AND IS FURTHER DEFINED BY THE SOLID MODEL FILE.
- ALLOWABLE FLASH: 0.010 MAX.
- ALL EJECTOR PIN MARKS TO BE WITHIN 0.010" OF FLUSH, PROTRUDING OR BELOW FLUSH.
- TRIM GATE WITHIN 0.030" OF FLUSH.



SCALE 0.250

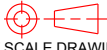
R E V I S I O N					
REV.	DRAWN BY	ECO No	DESCRIPTION	DATE	APPROVE
A	M BOYER	PDCL 1933	PRELIMINARY RELEASE	2020-Nov-10	J.T.
B	M BOYER		REVISE COLORS AND NOTES	2021-Jan-25	J.T.
C	M BOYER		FLIP HATCH AND INCREASE RECESS DEPTH PER REVIEW 210824	2021-Aug-25	J.T.
D	M BOYER		CLOSE GAP AT HATCH PER MEETING 210907	2021-Sep-07	J.T.
E	M BOYER		CLARIFY BATTERY HOLDER INFORMATION	2021-Sep-08	J.T.
F	M BOYER		INCLUDE TEXTURE SHEET	2021-Nov-09	



854413 EXPLODED ISO VIEW
SCALE 0.500

ITEM	FILE NAME	DESCRIPTION	MATERIAL	COLOR	QTY.
7	SCREW_HILO-N04X375	#4 HiLo x .375" SCREW	ZINC PLATED	INCLUDED	6
6	BATTERY_AA	"AA" SIZE BATTERY	REFERENCE	CUSTOMER SUPPLIED	4
5	BATTERY-HOLDER_2477	4 AA BATTERY HOLDER	REF: KEYSTONE 2477	CUSTOMER SUPPLIED	1
4	854413_PCB	854413 PCB - REFERENCE	.062" THICK	CUSTOMER SUPPLIED	1
3	854413_HATCH	854413 HATCH - STANDARD	ABS	BLACK or WHITE	1
2	854413_COVER	854413 COVER - STANDARD	ABS	BLACK or WHITE	1
1	854413_BASE	854413 BASE - STANDARD	ABS	BLACK or WHITE	1

BILL OF MATERIALS

THIRD ANGLE PROJECTION

 DO NOT SCALE DRAWING

TOLERANCES: UNLESS OTHERWISE SPECIFIED
 DIMENSIONS ARE IN U.S. INCHES.
 X.XX = .015 X.XXXX = .001
 X.XXX = .010 X.X" = 1"

NEW AGE ENCLOSURES
 Customer's Part No: 854413

APPROVAL	BY	DATE
CHECK		
ENG.		
SCALE	AS NOTED	
DRAWN BY	M BOYER	
DATE	2020-Nov-10	

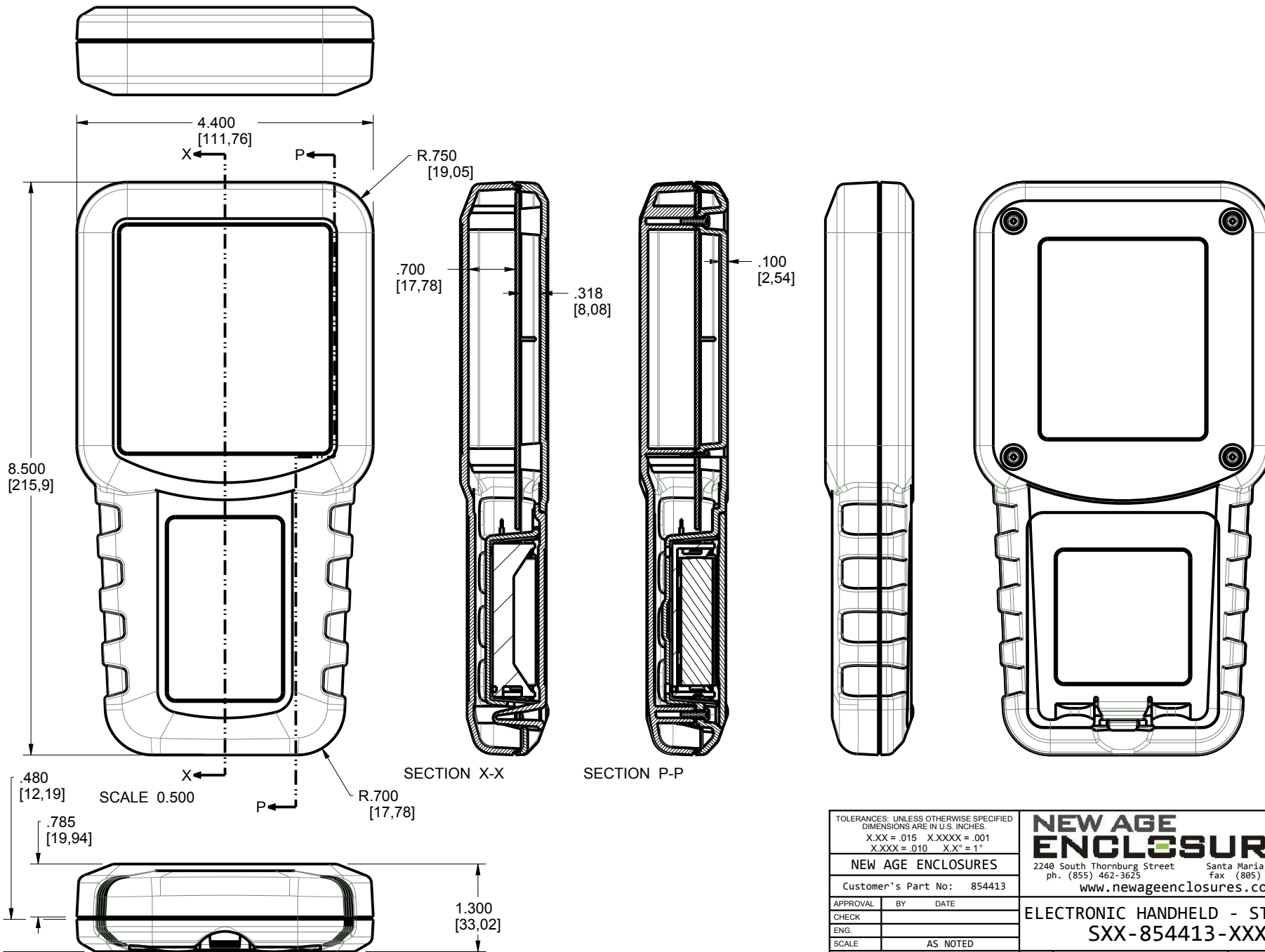
NOTICE: THE INFORMATION AND DATA CONTAINED HEREIN IS CONSIDERED PROPRIETARY TO ALLTEC INTEGRATED MFG INC & SHALL REMAIN THE EXCLUSIVE PROPERTY OF ALLTEC INTEGRATED MFG INC. THE HOLDER WILL ASSUME CUSTODY AND CONTROL THAT THIS DOCUMENT WILL NOT BE COPIED, REPRODUCED, OR DISCLOSED WITHOUT THE EXPRESS WRITTEN CONSENT OF ALLTEC INTEGRATED MFG INC. POSSESSION OF THIS DOCUMENT DOES NOT CONSTITUTE A GRANT TO MANUFACTURE ANY ITEMS.
 © 2021

NEW AGE ENCLOSURES
 2240 South Thornburg Street Santa Maria, CA. 93455
 ph. (855) 462-3625 fax (805) 595-1024
www.newageenclosures.com

**ELECTRONIC HANDHELD - STANDARD
 SXX-854413-XXX**

SIZE	DRAWING NAME	SHEET	REV.DOC
A	854413_RF	1 OF 9	F

854413 ASSEMBLY



TOLERANCES: UNLESS OTHERWISE SPECIFIED
DIMENSIONS ARE IN U.S. INCHES.

X.XX = .015 X.XXXX = .001
X.XXX = .010 X.X° = 1°

NEW AGE ENCLOSURES
Customer's Part No: 854413

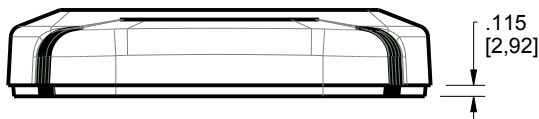
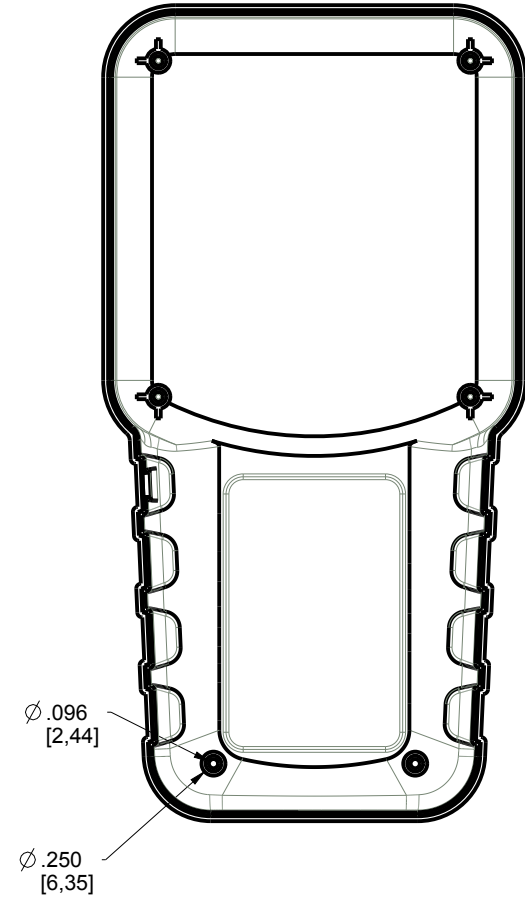
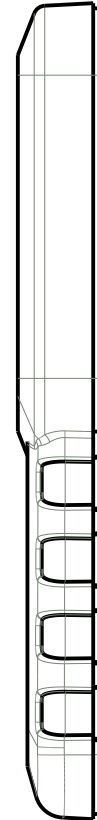
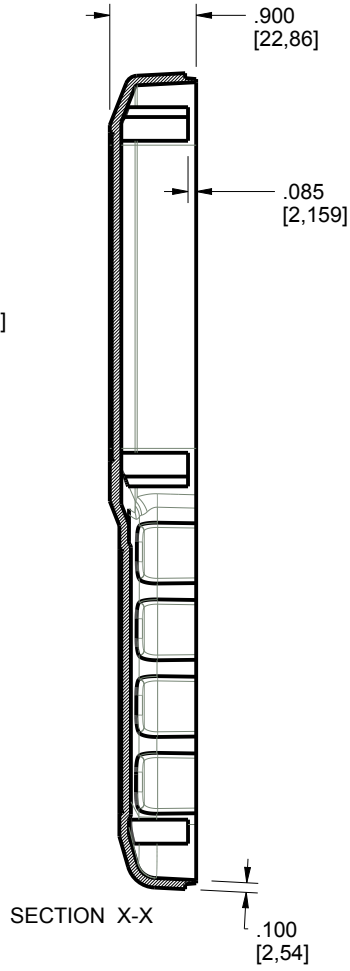
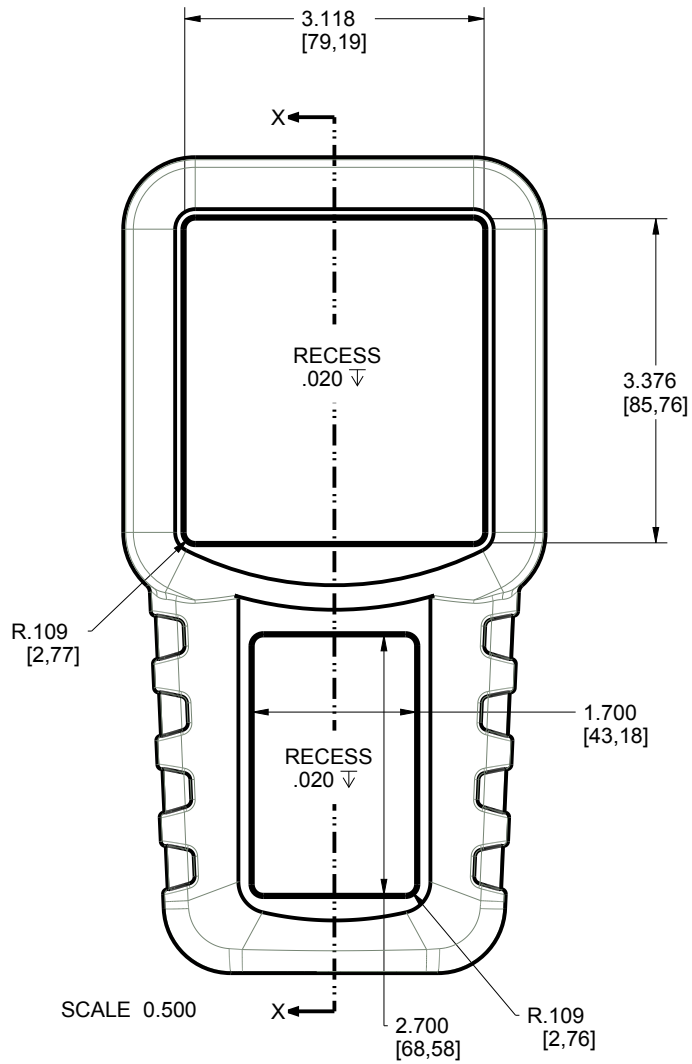
APPROVAL	BY	DATE
CHECK		
ENG.		
SCALE	AS NOTED	
DRAWN BY	M BOYER	
	2020-Nov-10	

NEW AGE ENCLOSURES
 2240 South Thornburg Street Santa Maria, CA. 93455
 ph. (855) 462-3625 fax (805) 595-1024
www.newageenclosures.com

ELECTRONIC HANDHELD - STANDARD
SXX-854413-XXX

SIZE	DRAWING NAME	SHEET	REV.DOC
A	854413_RF	2 OF 9	F

854413 COVER



TOLERANCES: UNLESS OTHERWISE SPECIFIED
DIMENSIONS ARE IN U.S. INCHES.
X.XX = .015 X.XXXX = .001
X.XXX = .010 X.X° = 1°

NEW AGE ENCLOSURES
Customer's Part No: 854413

APPROVAL	BY	DATE
CHECK		
ENG.		
SCALE	AS NOTED	

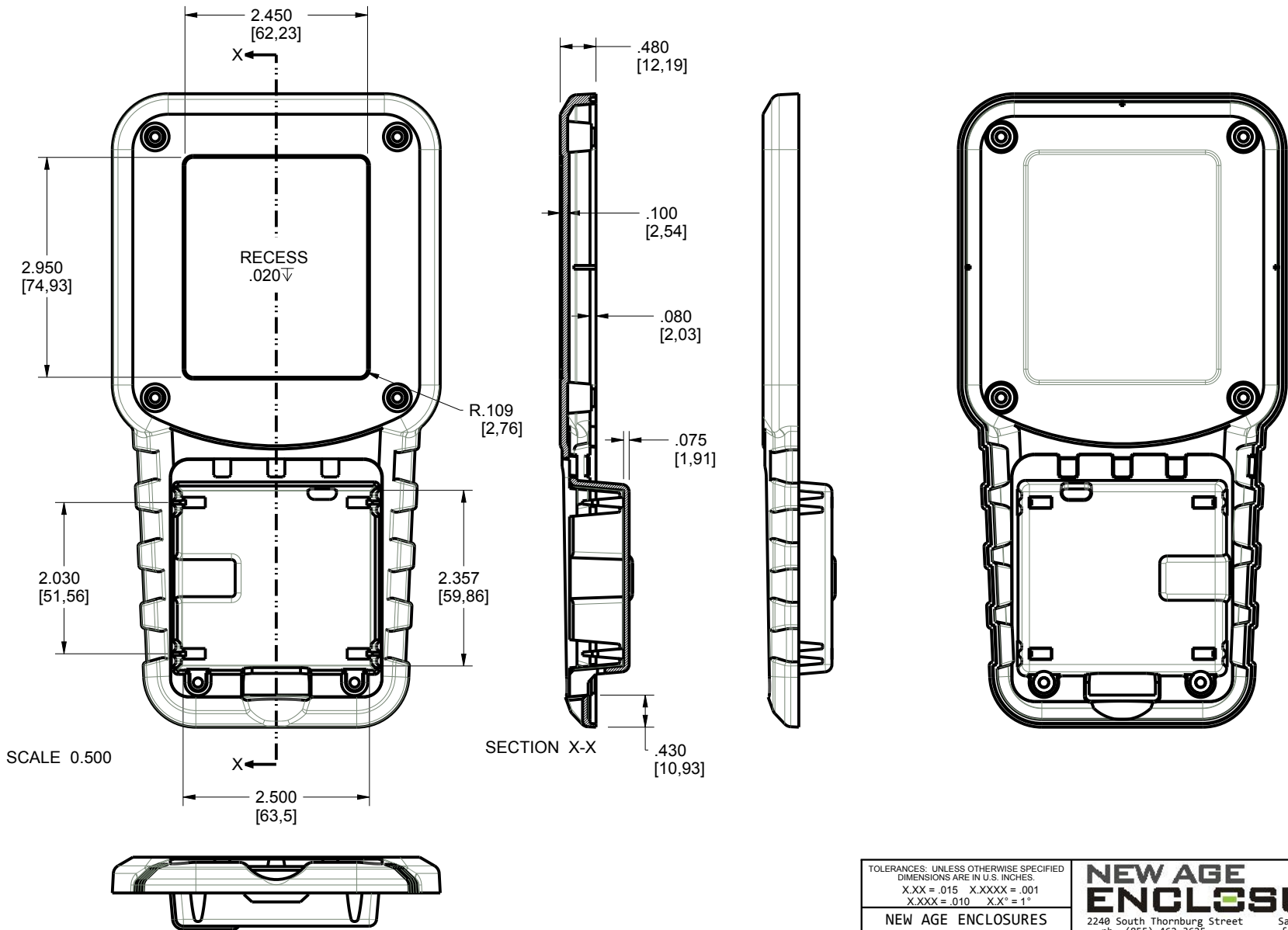
DRAWN BY	2020-Nov-10
M BOYER	

NEW AGE ENCLOSURES
2240 South Thornburg Street Santa Maria, CA. 93455
ph. (855) 462-3625 fax (805) 595-1024
www.newageenclosures.com

ELECTRONIC HANDHELD - STANDARD
SXX-854413-XXX

SIZE	DRAWING NAME	SHEET	REV.DOC
A	854413_RF	3 OF 9	F

854413 BASE



TOLERANCES: UNLESS OTHERWISE SPECIFIED
DIMENSIONS ARE IN U.S. INCHES.
X.XX = .015 X.XXXX = .001
X.XXX = .010 X.X° = 1°

NEW AGE ENCLOSURES
2240 South Thornburg Street Santa Maria, CA. 93455
ph. (855) 462-3625 fax (805) 595-1024
www.newageenclosures.com

NEW AGE ENCLOSURES
Customer's Part No: 854413

APPROVAL	BY	DATE
CHECK		
ENG.		
SCALE	AS NOTED	

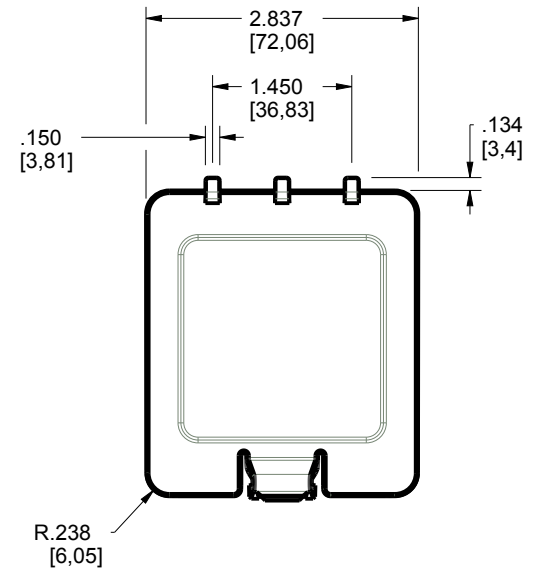
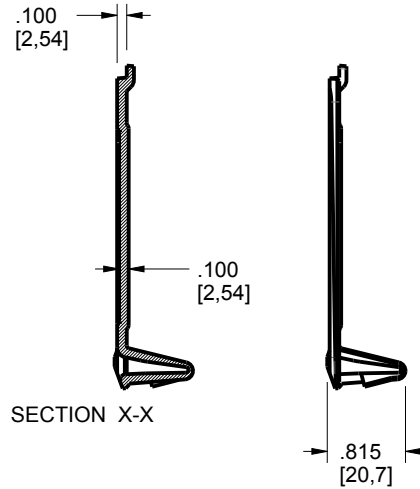
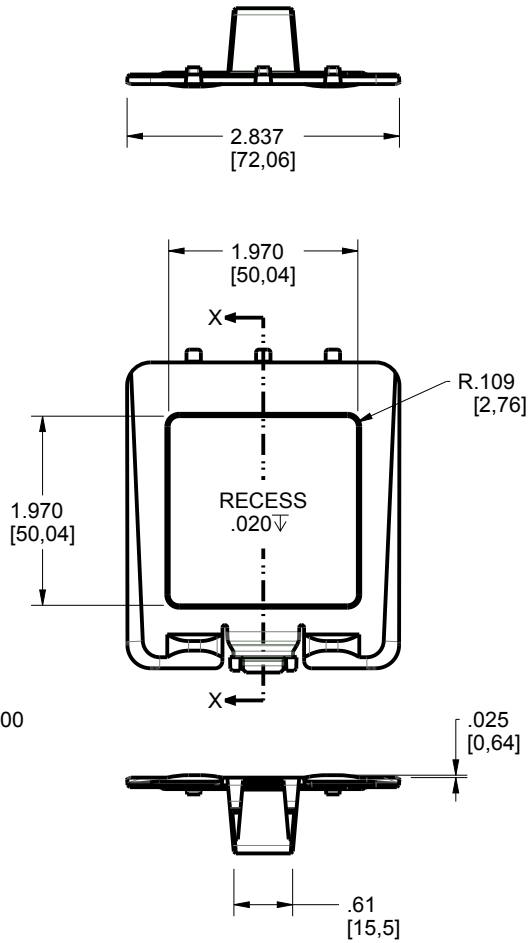
ELECTRONIC HANDHELD - STANDARD
SXX-854413-XXX

DRAWN BY
M BOYER 2020-Nov-10

SIZE A DRAWING NAME
854413_RF

SHEET 4 OF 9 REV.DOC F

854413 HATCH



TOLERANCES: UNLESS OTHERWISE SPECIFIED
DIMENSIONS ARE IN U.S. INCHES.
X.XX = .015 X.XXXX = .001
X.XXX = .010 X.X° = 1°

NEW AGE ENCLOSURES
Customer's Part No: 854413

APPROVAL	BY	DATE
CHECK		
ENG.		
SCALE	AS NOTED	

DRAWN BY
M BOYER 2020-Nov-10

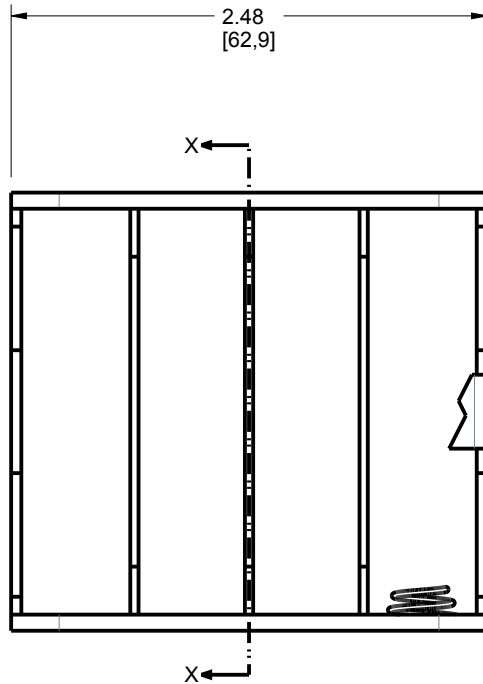
NEW AGE ENCLOSURES
2240 South Thornburg Street Santa Maria, CA. 93455
ph. (855) 462-3625 fax (805) 595-1024
www.newageenclosures.com

ELECTRONIC HANDHELD - STANDARD
SXX-854413-XXX

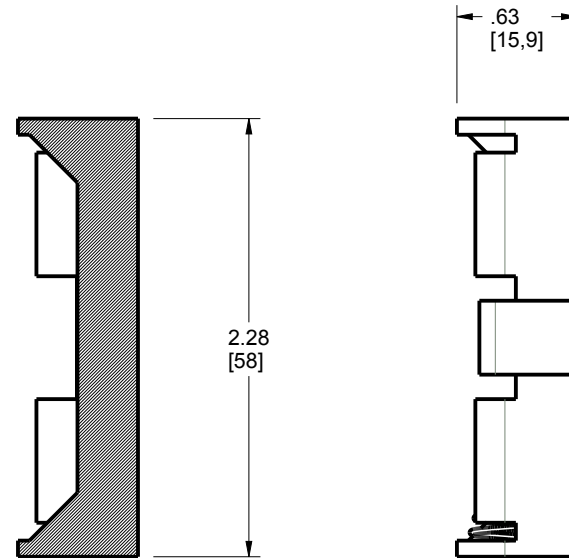
SIZE A	DRAWING NAME 854413_RF	SHEET 5 OF 9	REV.DOC F
-----------	---------------------------	-----------------	--------------

4xAA SERIES BATTERY HOLDER - CUSTOMER SUPPLIED

ASSEMBLY REFERENCES AN OFF-THE-SHELF COMPONENT, THIS IS A RECOMMENDATION ONLY.
 FINAL SIZES AND VERIFICATION OF ITS FIT ARE THE
 SOLE RESPONSIBILITY OF THE OEM.
 REFERENCE: KEYSTONE 2477



SCALE 1.000



SECTION X-X

TOLERANCES: UNLESS OTHERWISE SPECIFIED
 DIMENSIONS ARE IN U.S. INCHES.
 X.XX = .015 X.XXXX = .001
 X.XXX = .010 X.X° = 1°

NEW AGE ENCLOSURES
 Customer's Part No: 854413

APPROVAL	BY	DATE
CHECK		
ENG.		
SCALE	AS NOTED	

DRAWN BY: M BOYER
 DATE: 2020-Nov-10

NEW AGE ENCLOSURES
 2240 South Thornburg Street Santa Maria, CA. 93455
 ph. (855) 462-3625 fax (805) 595-1024
www.newageenclosures.com

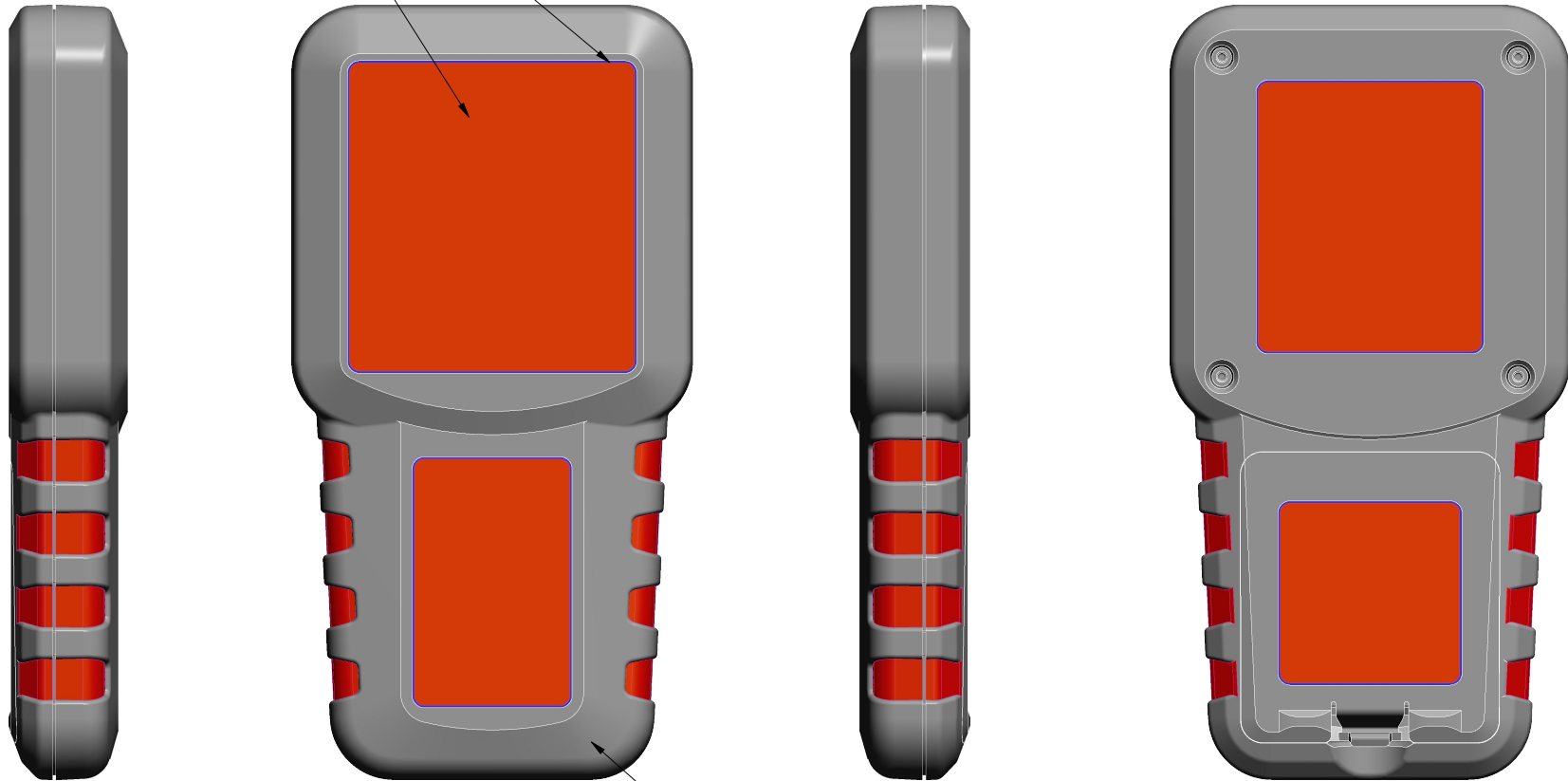
ELECTRONIC HANDHELD - STANDARD
 SXX-854413-XXX

SIZE: A	DRAWING NAME: 854413_RF	SHEET: 6 OF 9	REV.DOC: F
---------	-------------------------	---------------	------------

854413 TEXTURE

BEAUTY RING AROUND EACH LABEL RECESS: B1 POLISH

HIGHLIGHTED AREAS: MT-11010



SCALE 0.500

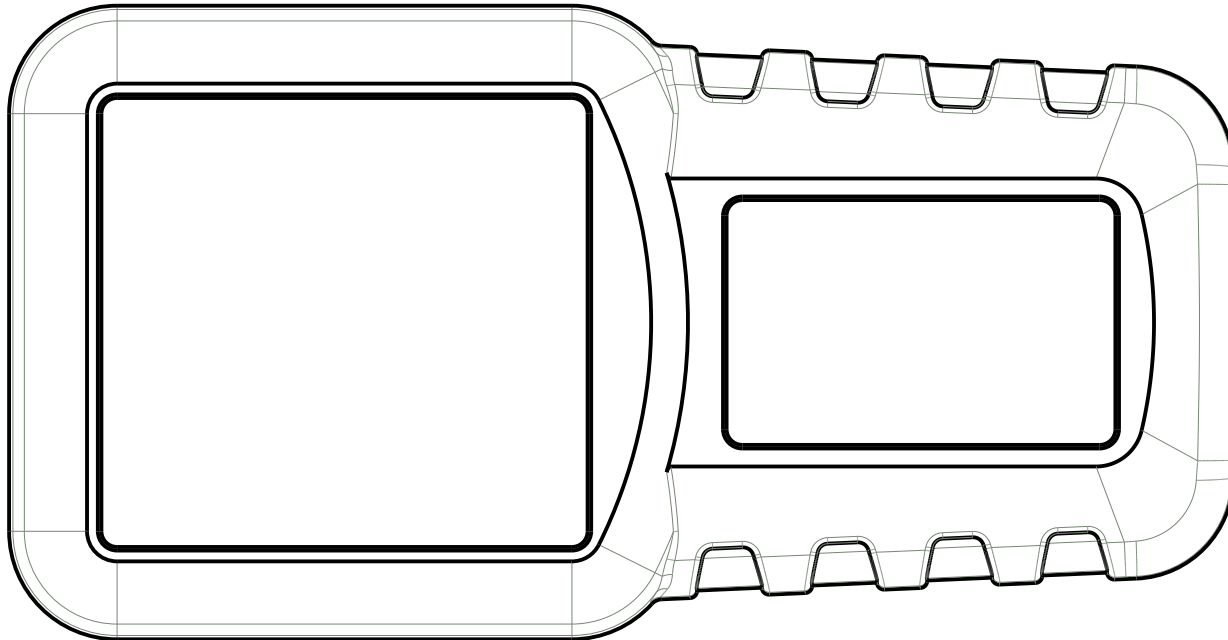
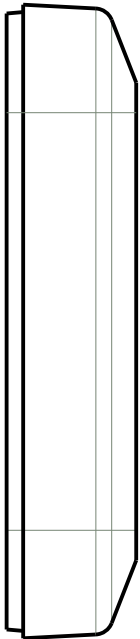
ALL OTHER NON-VISIBLE AND INTERIOR SURFACES: B3 POLISH

MT-11020 TYP.

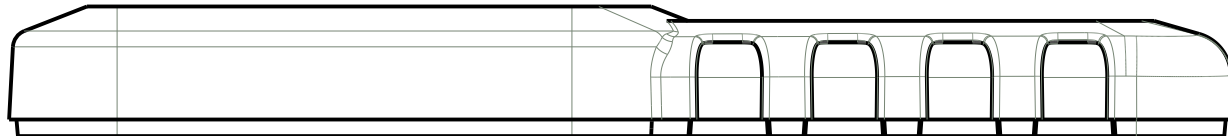
TOLERANCES: UNLESS OTHERWISE SPECIFIED DIMENSIONS ARE IN U.S. INCHES. X.XX = .015 X.XXXX = .001 X.XXX = .010 X.X° = 1°		NEW AGE ENCLOSURES	
NEW AGE ENCLOSURES		2240 South Thornburg Street Santa Maria, CA. 93455 ph. (855) 462-3625 fax (805) 595-1024 www.newageenclosures.com	
Customer's Part No: 854413		ELECTRONIC HANDHELD - STANDARD SXX-854413-XXX	
APPROVAL	BY	DATE	
CHECK			
ENG.			
SCALE	AS NOTED		
DRAWN BY	SIZE	DRAWING NAME	SHEET
M BOYER	2020-Nov-10	A 854413_RF	7 OF 9
			REV.DOC
			F

854413 2nd OPERATION DETAILS

NEW AGE ENCLOSURES DELIVERS YOUR ENCLOSURE MARKET-READY WITH IN-HOUSE CNC MACHINING, PAD PRINTING, ASSEMBLY, AND FULFILLMENT.
 ALL SURFACES AND AREAS ARE AVAILABLE FOR CNC ALTERATION BY NEW AGE ENCLOSURES
 CALL (855) 462-3625 FOR PRICING AND SCHEDULE.
 THE INSIDE RADIUS OF ANY MACHINED FEATURES SHOULD BE NO SMALLER THAN .031"



SCALE 0.750



TOLERANCES: UNLESS OTHERWISE SPECIFIED
 DIMENSIONS ARE IN U.S. INCHES.
 X.XX = .015 X.XXXX = .001
 X.XXX = .010 XX° = 1°

NEW AGE ENCLOSURES

Customer's Part No: 854413

NEW AGE ENCLOSURES

2240 South Thornburg Street Santa Maria, CA. 93455
 ph. (855) 462-3625 fax (805) 595-1024

www.newageenclosures.com

ELECTRONIC HANDHELD - STANDARD
 SXX-854413-XXX

APPROVAL	BY	DATE
CHECK		
ENG.		
SCALE	AS NOTED	
DRAWN BY	M BOYER	
	2020-Nov-10	

SIZE	DRAWING NAME	SHEET	REV.DOC
A	854413_RF	9 OF 9	F

SXX-854413-XXX COVER - ABS, BLACK

STEP	DESCRIPTION	CUTTER	FIXTURE	ORIENTATION	PROGRAM
1-C-C1	-	T2 = .062" EM	300	-	o1001
2-C-C2	-	T2 = .062" EM	300	-	o1002