



From Off-The-Shelf to Market-Ready© New Age Enclosures is your Single Source Solution.
Let us quote modifying our Stock Enclosures to meet your end-use.
visit newageenclosures.com/services or call 855-4NA-ENCL today.



CNC CUTOUTS
PART DECORATING
CUSTOM COLOR AND MATERIAL
RF/EMI SHEILDING
CUSTOM TOOL INSERTS
CUSTOM ENCLOSURES AND DESIGN



NEW AGE
ENCLOSURES

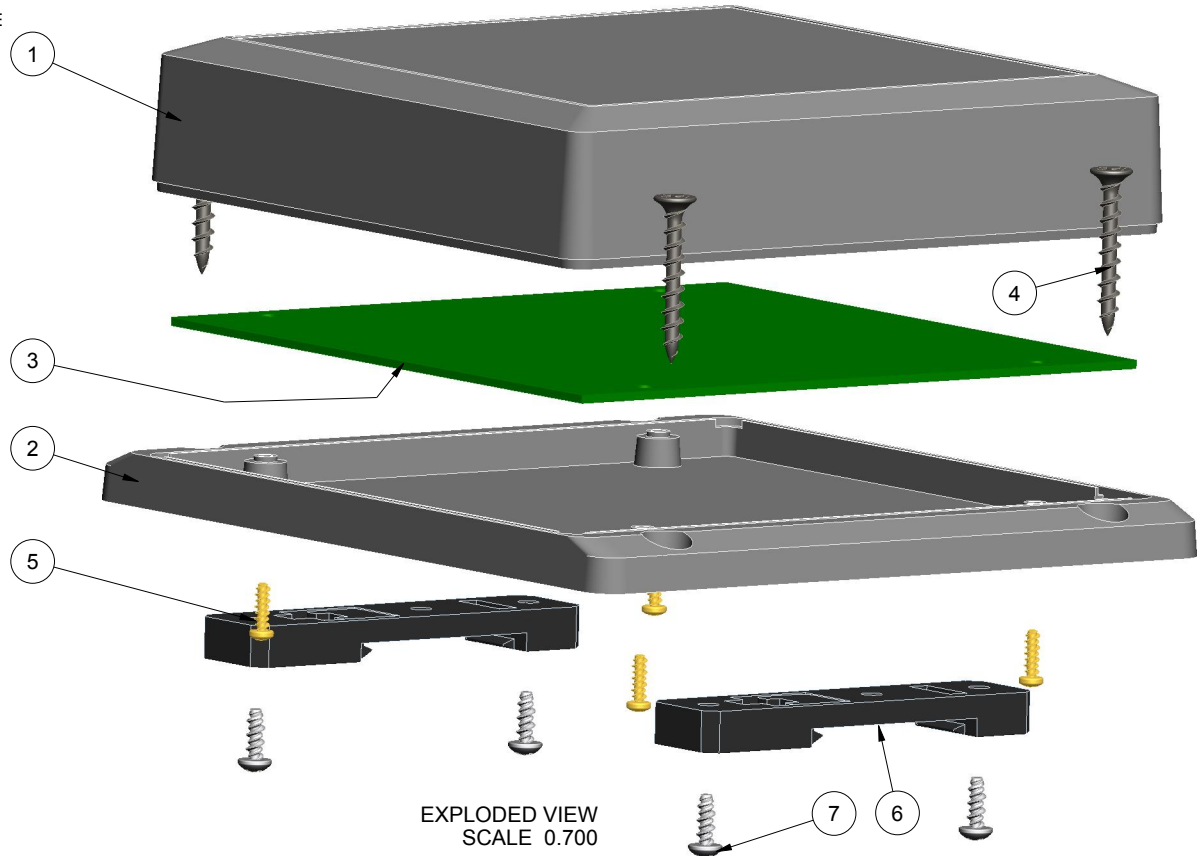
DEVELOP THE FUTURE



NOTES: UNLESS OTHERWISE SPECIFIED

1. CORNERS DRAWN SHARP TO BE R.005 MAXIMUM.
2. EXTERIOR SURFACE TEXTURE TO BE LIGHT EDM FINISH. EQUIVELANT TO MT-11020.
3. INTERIOR SURFACE TEXTURE TO BE: NONE.
4. ALL INSIDE RADII .010R. ALL OUTSIDE RADII .020R MAX, UNLESS OTHERWISE SPECIFIED.
5. ALL EXTERNAL DIMENSIONS AFFECTED BY THE DRAFT APPLY AT THE LARGE END OF THE FEATURE, AND ALL INTERNAL FEATURES AFFECTED BY THE DRAFT APPLY AT THE SMALL END OF THE FEATURE UNLESS OTHERWISE SPECIFIED.
6. 1 DEGREE DRAFT IN THE DIRECTION OF PULL IS PERMISSIBLE UNLESS OTHERWISE SPECIFIED.
7. ASSEMBLY SCREWS FOR THE ENCLOSURE INCLUDED. MOUNTING SCREWS FOR THE PCB ARE SOLD SEPERATELY.
8. MATERIAL / COLOR: ABS PLASTIC IS STANDARD IN BLACK OR WHITE. CUSTOM MATERIALS AND COLORS ARE AVAILABLE UPON REQUEST FOR QUOTE.
9. PCB SIZES ARE RECOMMENDATIONS ONLY. FINAL SIZES AND VERIFICATION OF ITS FIT ARE THE SOLE RESPONSIBILITY OF THE CUSTOMER.
10. STANDARD OR CUSTOM LABEL RECESSES ARE AVAILABLE UPON REQUEST FOR QUOTE.

R E V I S I O N					
REV.	DRAWN BY	ECO No	DESCRIPTION	DATE	APPROVE
A	M BOYER	DRxxx	PRELIMINARY RELEASE	2021-Jun-29	J.T.
B	M BOYER		ENLARGE MOUNTING HOLES AND THICKEN WALLS	2021-Jul-06	J.T.
C	M BOYER		INCLUDE POSTS FOR DIN RAIL ADAPTERS	2021-Jul-01	J.T.
D	M BOYER		REMOVE CHAMFERS FROM MOLDBASE	2021-Jul-09	J.T.
E	M BOYER		CHANGE FACEPLATE FROM ALUMINUM TO IXEF 1002	2021-Oct-06	J.T.
F	M BOYER		REMOVE FACEPLATE	2022-Dec-06	



EXPLODED VIEW
SCALE 0.700

555515(x) CONFIGURATIONS		
	-S	-SW
555515 COVER	1	1
555515 BASE	1	
555515 WALL BASE		1
#4 HILO SCREW .375"	4	4

7	N06X375_HILO_SCREW	#6 HILO X .375" - DIN MOUNT	#6 HILO X 3/8"	SOLD SEPERATELY	4
6	DINM12-RC	DIN RAIL ADAPTER	CUSTOMER SUPPLIED	REFERENCE ONLY	2
5	NO_4_375_SCREW	No4 HILO x .375" - PCB	#4 HILO x 3/8"	INCLUDED	4
4	SCREW-DRYWALLX750	DRYWALL SCREW	REFERENCE ONLY	CUSTOMER SUPPLIED	4
3	555515_PCB	555515 PCB - REFERENCE	.062" THICK	CUSTOMER SUPPLIED	1
2	555515_WALL-BASE	555515 WALL - STANDARD	ABS	BLACK or WHITE	1
1	555515_COVER	555515 COVER - STANDARD	ABS	BLACK or WHITE	1
ITEM	FILE NAME	DESCRIPTION	MATERIAL	COLOR	QTY.

BILL OF MATERIALS

THIRD ANGLE PROJECTION
DO NOT SCALE DRAWING

TOLERANCES: UNLESS OTHERWISE SPECIFIED
DIMENSIONS ARE IN U.S. INCHES.
X.XX = .015 X.XXXX = .001
X.XXX = .010 X.X" = 1°

NEW AGE ENCLOSURES
Customer's Part No: 555515

APPROVAL BY DATE

CHECK

ENG.

SCALE AS NOTED

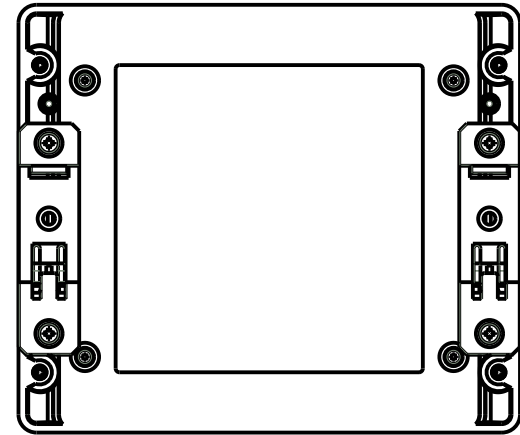
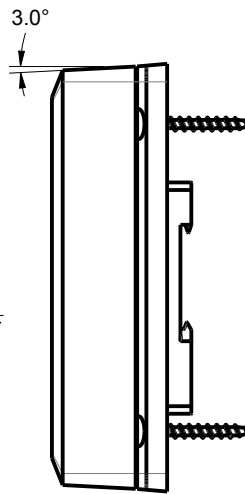
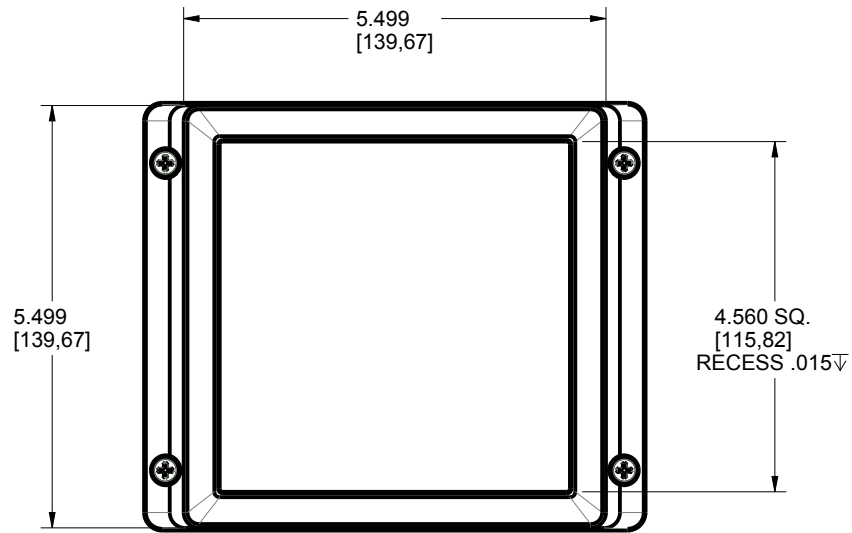
DRAWN BY M BOYER 2021-Jun-29

NEW AGE ENCLOSURES
2240 South Thornburg Street Santa Maria, CA, 93455
ph. (805) 595-1310 fax (805) 595-1024

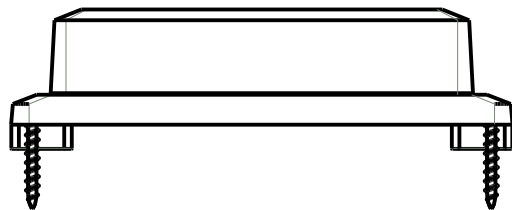
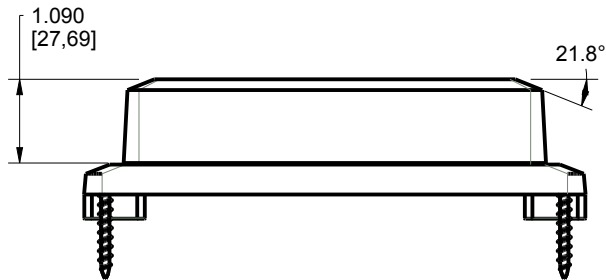
www.newageenclosures.com

5 1/2" SQUARE UTIL. - STANDARD
SXX-555515X-XXX

SIZE A DRAWING NAME 555515X_RF SHEET 1 OF 6 REV.DOC F



SCALE 0.400



TOLERANCES: UNLESS OTHERWISE SPECIFIED
DIMENSIONS ARE IN U.S. INCHES.
X.XX = .015 X.XXXX = .001
X.XXX = .010 X.X° = 1°

NEW AGE ENCLOSURES
2240 South Thornburg Street Santa Maria, CA. 93455
ph. (805) 595-1310 fax (805) 595-1024

Customer's Part No: 555515

www.newageenclosures.com

APPROVAL	BY	DATE
CHECK		
ENG.		
SCALE	AS NOTED	

5 1/2" SQUARE UTIL. - STANDARD
SXX-555515X-XXX

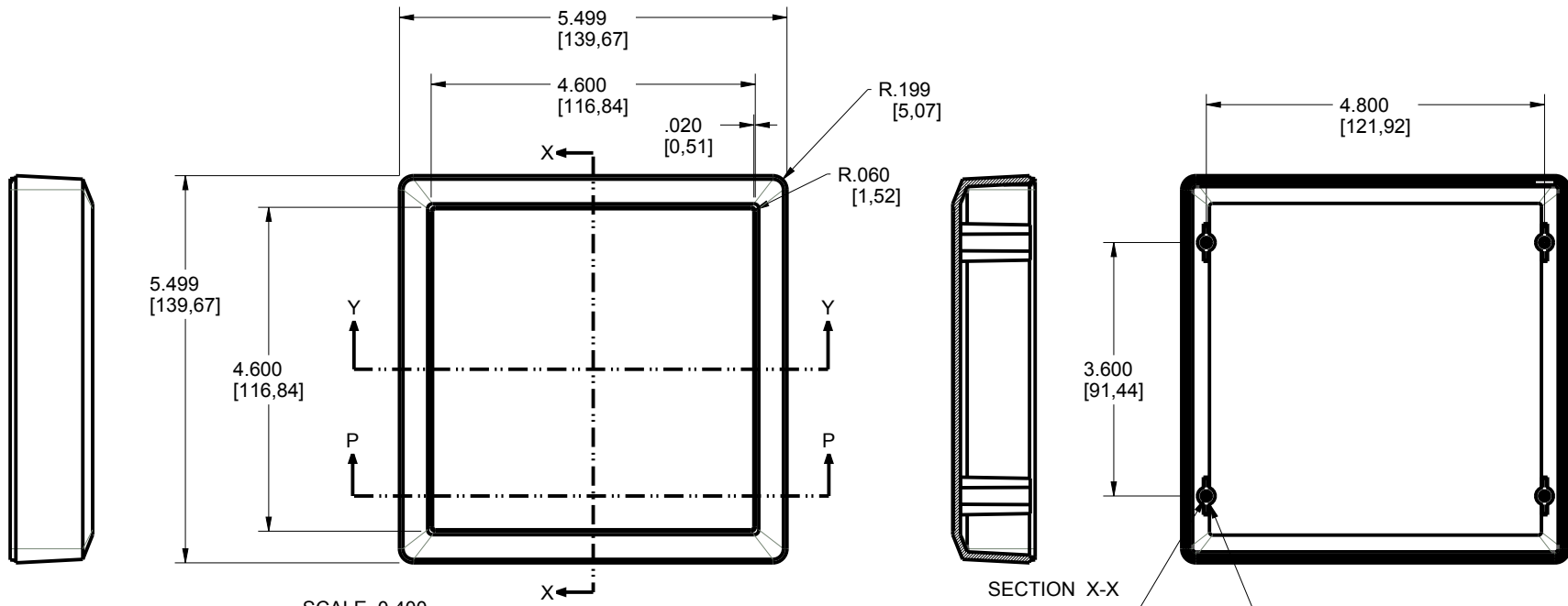
DRAWN BY
M BOYER 2021-Jun-29

SIZE
A 555515X_RF

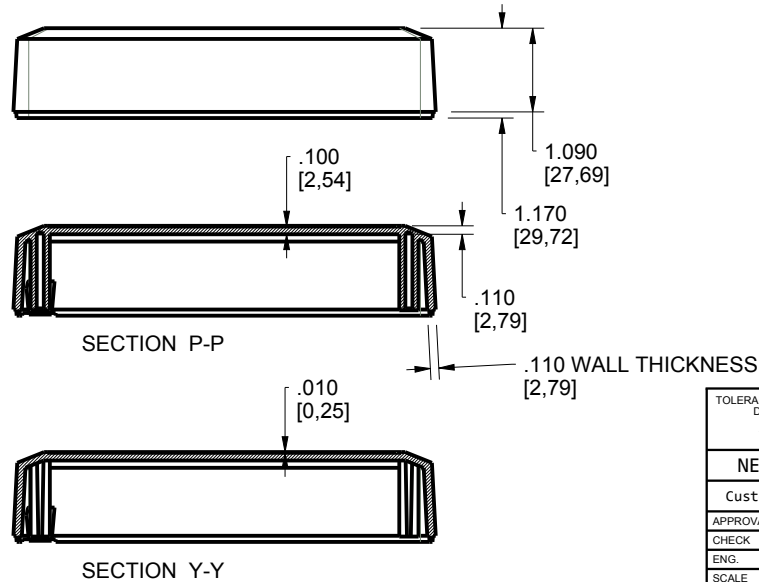
SHEET
2 OF 6

REV.DOC
F

55515 COVER



SCALE 0.400

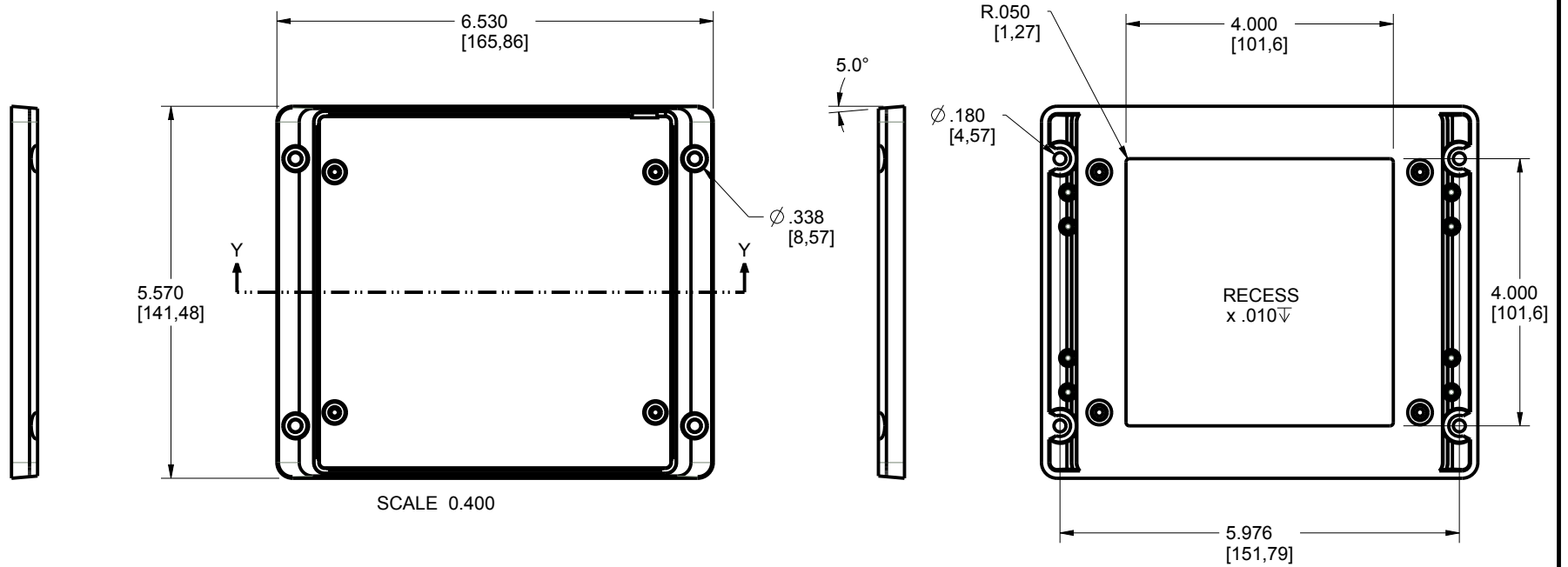


TOLERANCES: UNLESS OTHERWISE SPECIFIED DIMENSIONS ARE IN U.S. INCHES.	
X.XX = .015 X.XXXX = .001	
X.XXX = .010 X.X° = 1°	
NEW AGE ENCLOSURES	
Customer's Part No: 555515	
APPROVAL	BY DATE
CHECK	
ENG.	
SCALE	AS NOTED
DRAWN BY	SIZE
M BOYER	2021-Jun-29

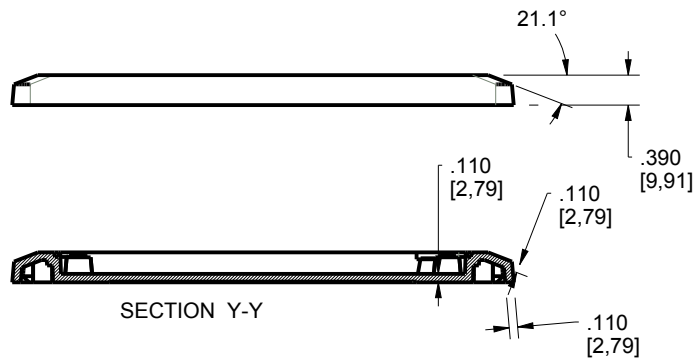
NEW AGE ENCLOSURES
 2240 South Thornburg Street Santa Maria, CA. 93455
 ph. (805) 595-1310 fax (805) 595-1024
www.newageenclosures.com

5½" SQUARE UTIL. - STANDARD		SHEET	REV.DOC
SXX-555515X-XXX		3 OF 6	F
DRAWING NAME			
555515X_RF			

555515 WALL



SCALE 0.400



SECTION Y-Y

TOLERANCES: UNLESS OTHERWISE SPECIFIED
DIMENSIONS ARE IN U.S. INCHES.
X.XX = .015 X.XXXX = .001
X.XXX = .010 X.X° = 1°

NEW AGE ENCLOSURES
Customer's Part No: 555515

APPROVAL	BY	DATE
CHECK		
ENG.		
SCALE	AS NOTED	

DRAWN BY
M BOYER 2021-Jun-29

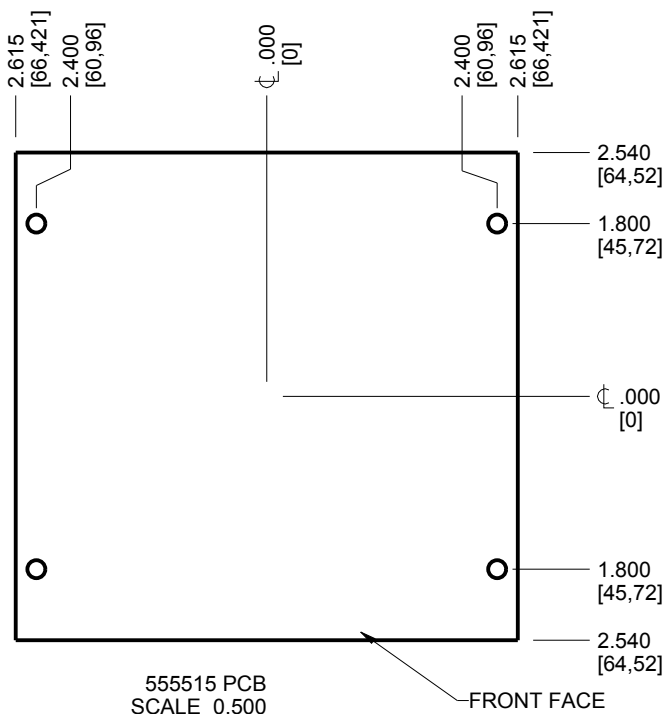
NEW AGE ENCLOSURES
2240 South Thornburg Street Santa Maria, CA. 93455
ph. (805) 595-1310 fax (805) 595-1024
www.newageenclosures.com

5½" SQUARE UTIL. - STANDARD
SXX-555515X-XXX

SIZE A	DRAWING NAME 555515X_RF	SHEET 4 OF 6	REV.DOC F
-----------	----------------------------	-----------------	--------------

555515 PCB - CUSTOMER SUPPLIED

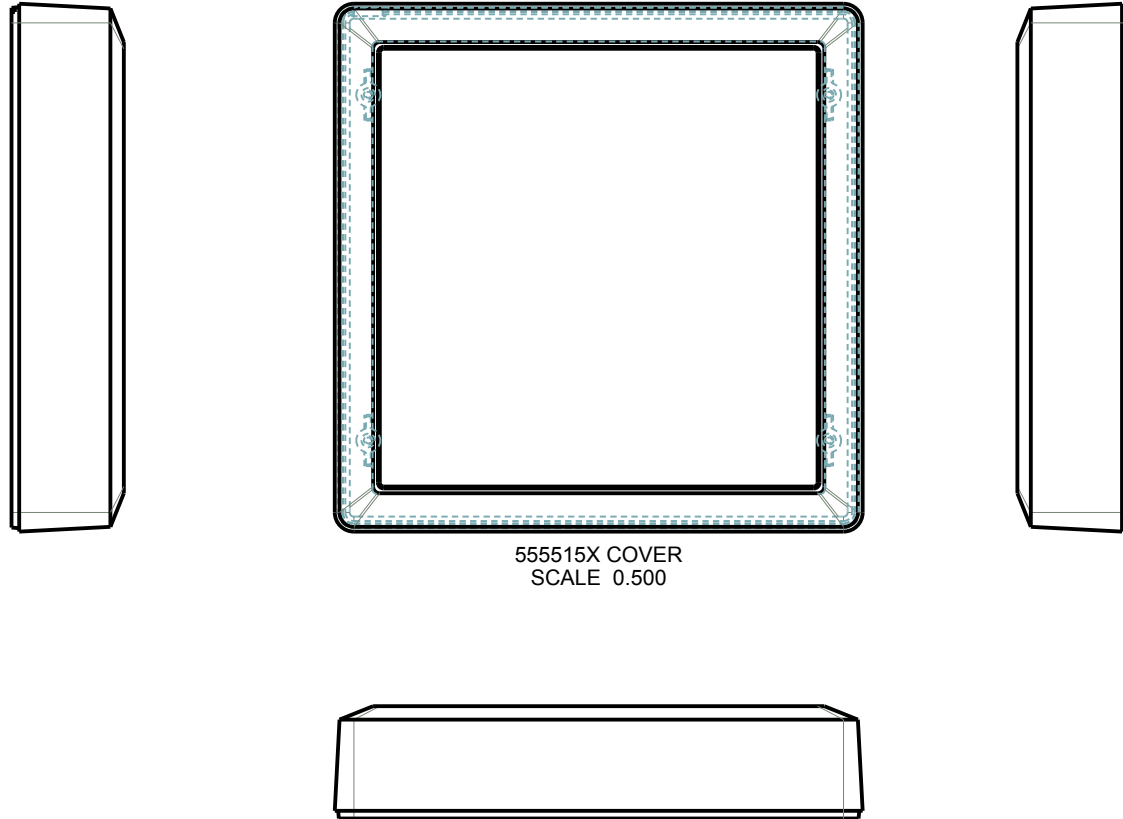
PCB SIZES ARE RECOMMENDATIONS ONLY. FINAL SIZES AND VERIFICATION OF ITS FIT ARE THE SOLE RESPONSIBILITY OF THE OEM.



TOLERANCES: UNLESS OTHERWISE SPECIFIED DIMENSIONS ARE IN U.S. INCHES. X.XX = .015 X.XXXX = .001 X.XXX = .010 X.X° = 1°		NEW AGE ENCLOSURES 2240 South Thornburg Street Santa Maria, CA. 93455 ph. (805) 595-1310 fax (805) 595-1024 www.newageenclosures.com	
Customer's Part No: 555515			
APPROVAL	BY	DATE	5½" SQUARE UTIL. - STANDARD SXX-555515X-XXX
CHECK			
ENG.			
SCALE	AS NOTED		
DRAWN BY	2021-Jun-29	SIZE	DRAWING NAME A 555515X_RF
M BOYER		SHEET	REV.DOC 5 OF 6 F

2nd OPERATION DETAILS

NEW AGE ENCLOSURES DELIVERS YOUR ENCLOSURE MARKET-READY WITH IN-HOUSE
CNC MACHINING, PAD PRINTING, ASSEMBLY, AND FULFILLMENT.
ALL SURFACES AND AREAS ARE AVAILABLE FOR CNC ALTERATION BY NEW AGE ENCLOSURES
CALL (805) 595-1310 FOR PRICING AND SCHEDULE.
THE INSIDE RADIUS OF ANY MACHINED FEATURES SHOULD BE NO SMALLER THAN .031"



555515X COVER
SCALE 0.500

TOLERANCES: UNLESS OTHERWISE SPECIFIED
DIMENSIONS ARE IN U.S. INCHES.
X.XX = .015 X.XXXX = .001
X.XXX = .010 X.X° = 1°

NEW AGE ENCLOSURES
2240 South Thornburg Street Santa Maria, CA. 93455
ph. (805) 595-1310 fax (805) 595-1024

Customer's Part No: 555515

**5 1/2" SQUARE UTIL. - STANDARD
SXX-555515X-XXX**

SXX-555515X-XXX COVER - ABS, BLACK

STEP NO	DESCRIPTION	CUTTER	FIXTURE	ORIENTATION	PROGRAM
1-C-C1	-	T2 = .062" EM	326	-	o1000
2-C-C2	-	T2 = .062" EM	326	-	o1000
3-C-C3	-	T2 = .062" EM	326	-	o1000

APPROVAL	BY	DATE
CHECK		
ENG.		
SCALE	AS NOTED	
DRAWN BY	M BOYER	
	2021-Jun-29	

SIZE	DRAWING NAME	SHEET	REV.DOC
A	555515X_RF	6 OF 6	F