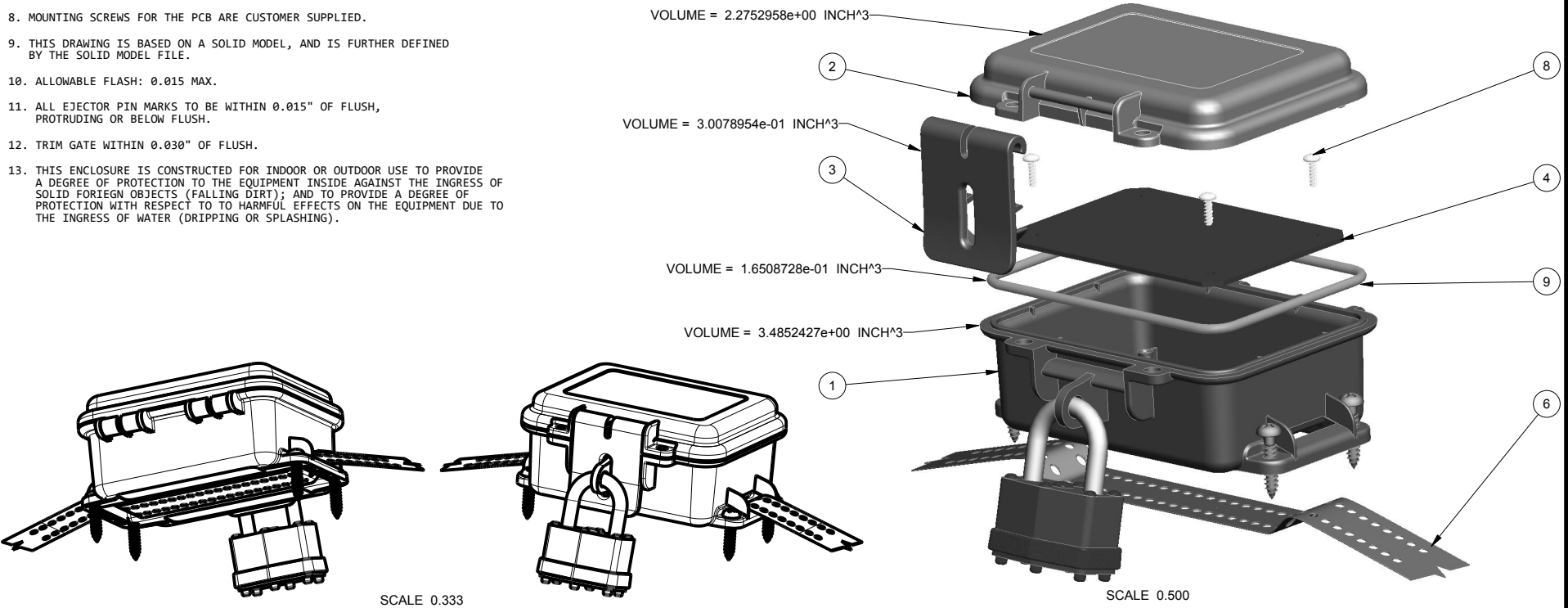


NOTES: UNLESS OTHERWISE SPECIFIED

1. CORNERS DRAWN SHARP TO BE R.010 MAXIMUM.
2. EXTERIOR SURFACE TEXTURE TO BE MT-11020, UNLESS SPECIFIED OTHERWISE
3. ALL INSIDE RADII .020R. UNLESS OTHERWISE SPECIFIED.
4. ALL EXTERNAL DIMENSIONS AFFECTED BY THE DRAFT APPLY AT THE LARGE END OF THE FEATURE, AND ALL INTERNAL FEATURES AFFECTED BY THE DRAFT APPLY AT THE SMALL END OF THE FEATURE UNLESS OTHERWISE SPECIFIED.
5. 1 DEGREE DRAFT IN THE DIRECTION OF PULL IS PERMISSIBLE UNLESS OTHERWISE SPECIFIED.
6. MATERIAL / COLOR: ASA PLASTIC IS STANDARD IN BLACK OR GREY. CUSTOM MATERIALS AND COLORS (INCLUDING CLEAR ACRYLIC) ARE AVAILABLE UPON REQUEST FOR QUOTE.
7. PCB SIZES ARE RECOMMENDATIONS ONLY. FINAL SIZES AND VERIFICATION OF IT'S FIT ARE THE SOLE RESPONSIBILITY OF EACH CUSTOMER.
8. MOUNTING SCREWS FOR THE PCB ARE CUSTOMER SUPPLIED.
9. THIS DRAWING IS BASED ON A SOLID MODEL, AND IS FURTHER DEFINED BY THE SOLID MODEL FILE.
10. ALLOWABLE FLASH: 0.015 MAX.
11. ALL EJECTOR PIN MARKS TO BE WITHIN 0.015" OF FLUSH, PROTRUDING OR BELOW FLUSH.
12. TRIM GATE WITHIN 0.030" OF FLUSH.
13. THIS ENCLOSURE IS CONSTRUCTED FOR INDOOR OR OUTDOOR USE TO PROVIDE A DEGREE OF PROTECTION TO THE EQUIPMENT INSIDE AGAINST THE INGRESS OF SOLID FOREIGN OBJECTS (FALLING DIRT); AND TO PROVIDE A DEGREE OF PROTECTION WITH RESPECT TO TO HARMFUL EFFECTS ON THE EQUIPMENT DUE TO THE INGRESS OF WATER (DRIPPING OR SPLASHING).

R E V I S I O N					
REV.	DRAWN BY	ECO No	DESCRIPTION	DATE	APPROVED
A	R CRUZ	DR XXX	PRELIMINARY RELEASE	02-Dec-13	D.C.
B	R CRUZ		MOVE LATCH FEATURE TO CENTER	14-Feb-14	D.C.
C	R CRUZ		REVISE PER MEETING 17-Feb-14	17-Feb-14	D.C.
D	M BOYER		REVISE PER MEETING 13-May-14	15-May-14	



ITEM	FILE NAME	DESCRIPTION	MATERIAL	COLOR	QTY.
9	403020_ORING	403020 ORING - STANDARD	TPE G7930	INCLUDED	1
8	SCREW_HILO-NO4X375	#4 HILO SCREW x .375"	ZINK PLATED	CUSTOMER SUPPLIED	4
7	PADLOCK	PADLOCK	REFERENCE ONLY	CUSTOMER SUPPLIED	1
6	403020_STRAP	MOUNTING STRAP x 1.000" WIDE	REFERENCE ONLY	CUSTOMER SUPPLIED	1
5	SCREW-WOOD-ROUNDHEADX750	#9-14 x 2" WOOD SCREW	FASTENAL #0152161	CUSTOMER SUPPLIED	4
4	403020_PCB	403020 PCB - REFERENCE	.062" THICK	CUSTOMER SUPPLIED	1
3	403020_HASP	403020 HASP - STANDARD	ASA	BLACK or GREY	1
2	403020_COVER	403020 COVER - STANDARD	ASA	BLACK or GREY	1
1	403020_BASE	403020 BASE - STANDARD	ASA	BLACK or GREY	1

BILL OF MATERIALS

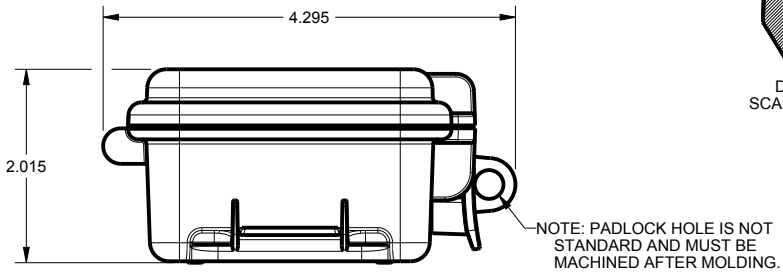
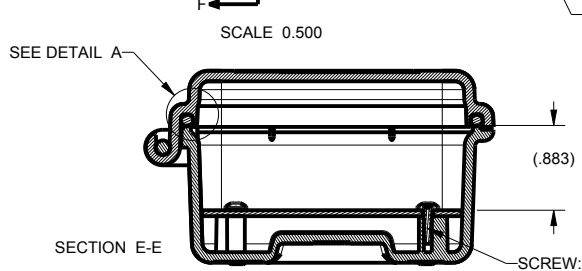
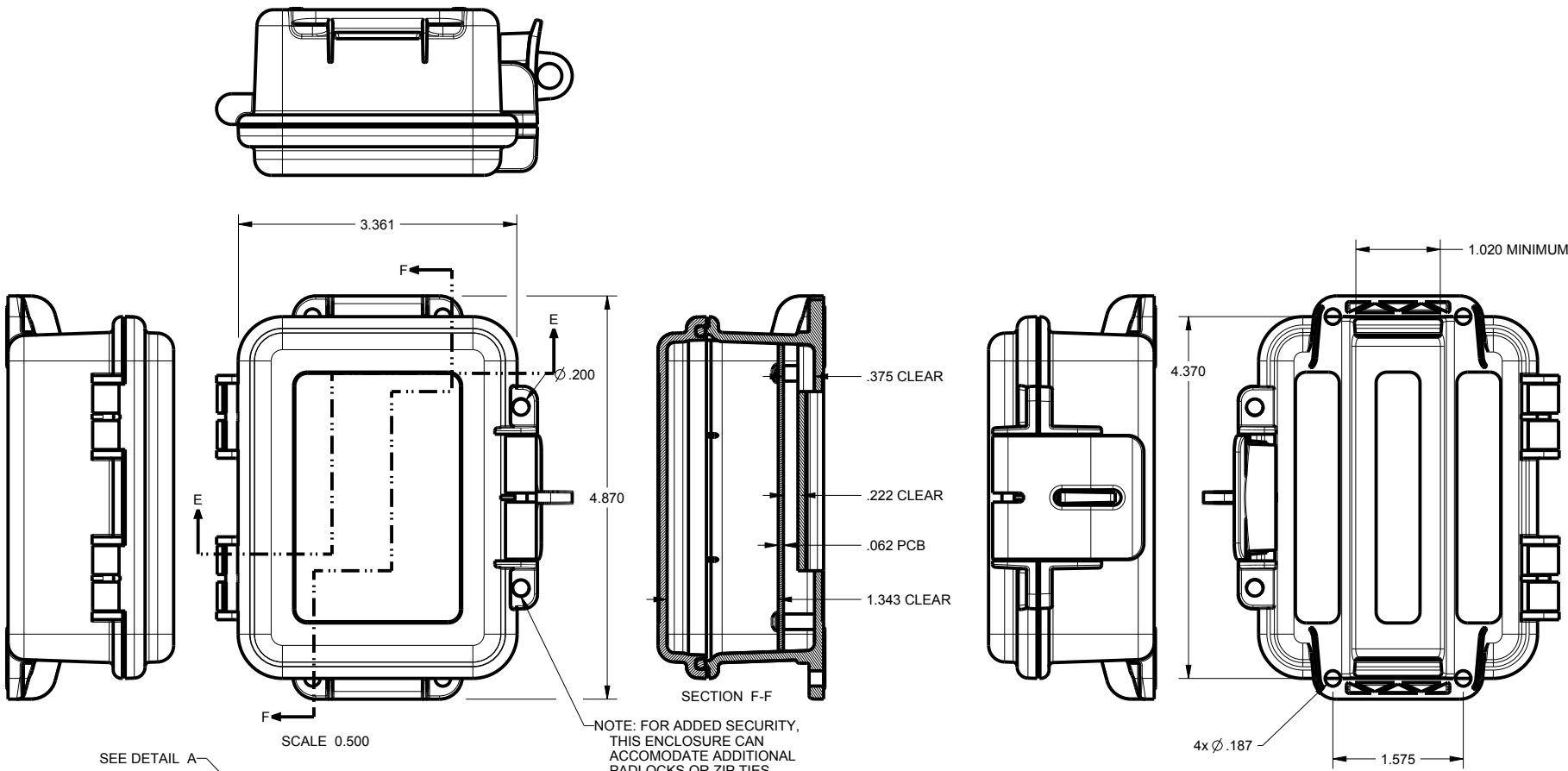
THIRD ANGLE PROJECTION	TOLERANCES: UNLESS OTHERWISE SPECIFIED DIMENSIONS ARE IN U.S. INCHES. X.XX = .015 X.XXXX = .001 X.XXX = .010 X.X" = 1°
DO NOT SCALE DRAWING	NEW AGE ENCLOSURES
NOTICE: THE INFORMATION AND DATA CONTAINED HEREIN IS CONSIDERED PROPRIETARY TO ALLTEC INTEGRATED MFG INC & SHALL REMAIN THE EXCLUSIVE PROPERTY OF ALLTEC INTEGRATED MFG INC. THE HOLDER WILL ASSUME CUSTODY AND CONTROL THAT THIS DOCUMENT WILL NOT BE COPIED, REPRODUCED, OR DISCLOSED WITHOUT THE EXPRESS WRITTEN CONSENT OF ALLTEC INTEGRATED MFG INC. POSSESSION OF THIS DOCUMENT DOES NOT CONSTITUTE A GRANT TO MANUFACTURE ANY ITEMS. © 2014	Customer's Part No: 403020
APPROVAL	BY DATE
CHECK	
ENG.	
SCALE	AS NOTED
DRAWN BY	02-Dec-13
R CRUZ	

NEW AGE ENCLOSURES
 4330 Santa Fe Road San Luis Obispo, CA. 93401
 ph. (805) 595-1310 fax (805) 595-1024
www.newageenclosures.com

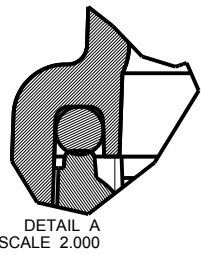
STANDARD - LATCH-n-LOCK
LXX-403020-XXX

SIZE	DRAWING NAME	SHEET	REV.DOC
A	403020_RD	1 OF 8	D

403020 ASSEMBLY



NOTE: FOR ADDED SECURITY, THIS ENCLOSURE CAN ACCOMMODATE ADDITIONAL PADLOCKS OR ZIP TIES.



TOLERANCES: UNLESS OTHERWISE SPECIFIED DIMENSIONS ARE IN U.S. INCHES.
 X.XX = .015 X.XXXX = .001
 X.XXX = .010 X.X° = 1°

NEW AGE ENCLOSURES
 Customer's Part No: 403020

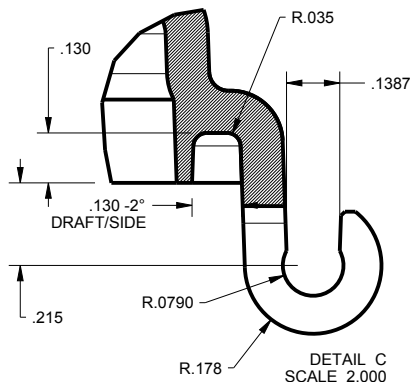
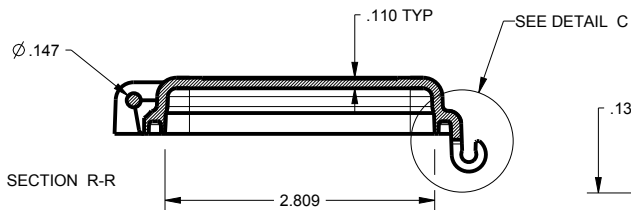
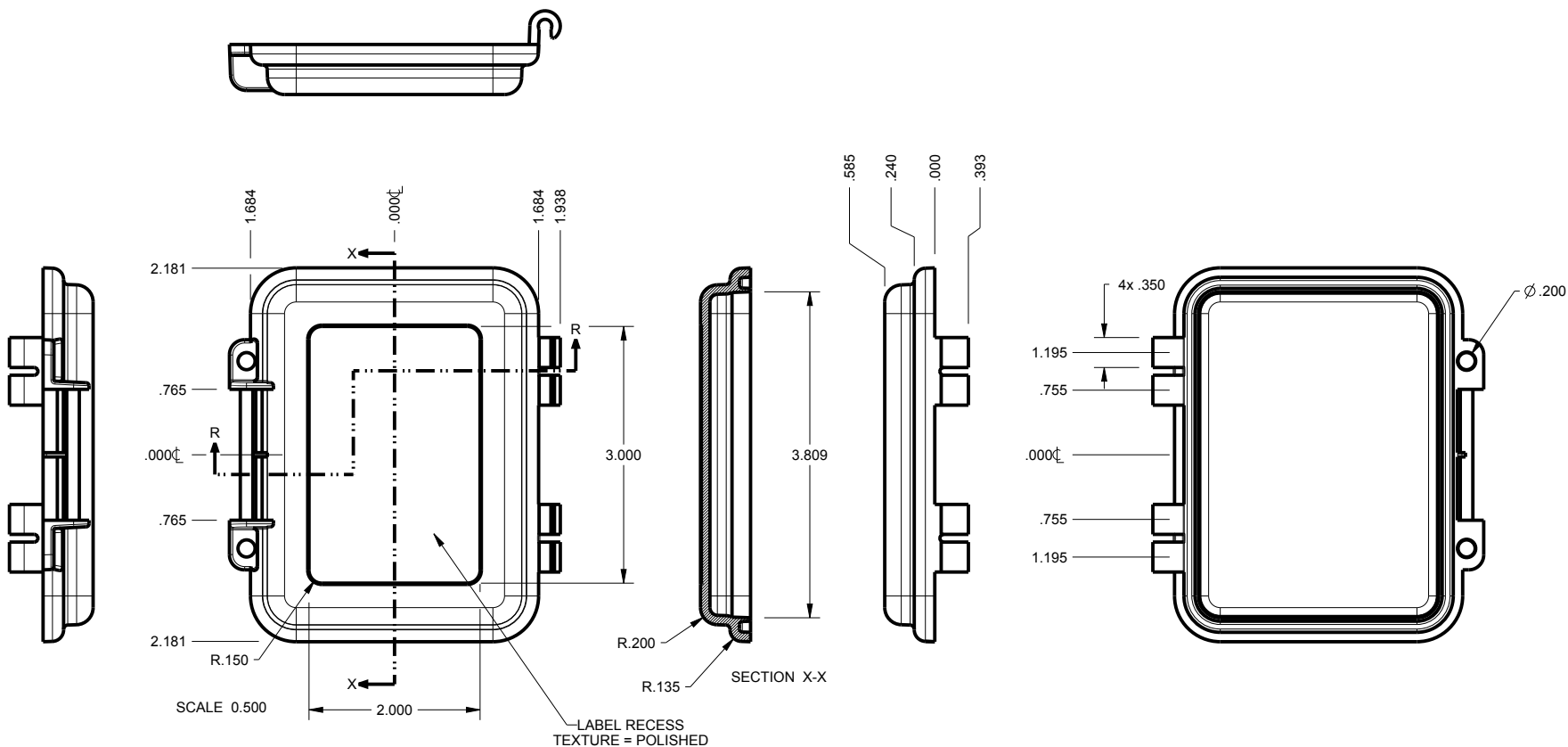
APPROVAL	BY	DATE
CHECK		
ENG.		
SCALE	AS NOTED	
DRAWN BY	R CRUZ	
	02-Dec-13	

NEW AGE ENCLOSURES
 4330 Santa Fe Road San Luis Obispo, CA. 93401
 ph. (805) 595-1310 fax (805) 595-1024
www.newageenclosures.com

STANDARD - LATCH-n-LOCK
LXX-403020-XXX

SIZE	DRAWING NAME	SHEET	REV.DOC
A	403020_RD	2 OF 8	D

403020 COVER



TOLERANCES: UNLESS OTHERWISE SPECIFIED DIMENSIONS ARE IN U.S. INCHES.
 X.XX = .015 X.XXXX = .001
 X.XXX = .010 X.X° = 1°

APPROVAL		BY	DATE
CHECK			
ENG.			
SCALE		AS NOTED	
DRAWN BY		R CRUZ	
		02-Dec-13	

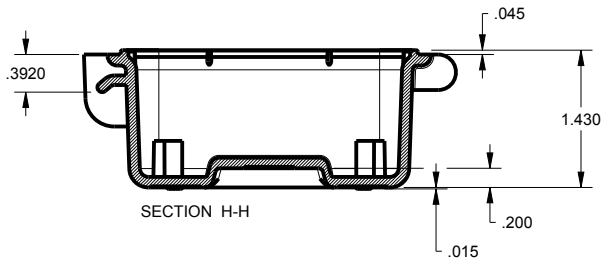
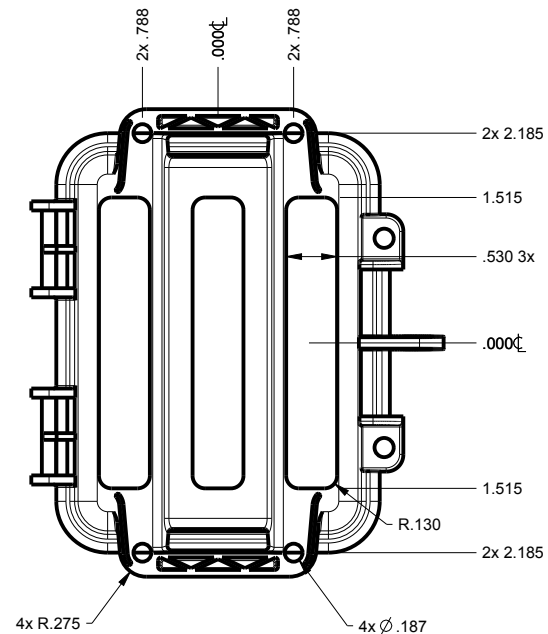
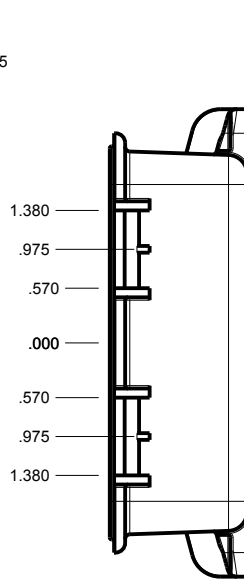
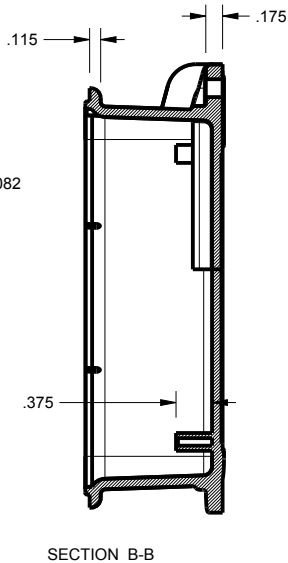
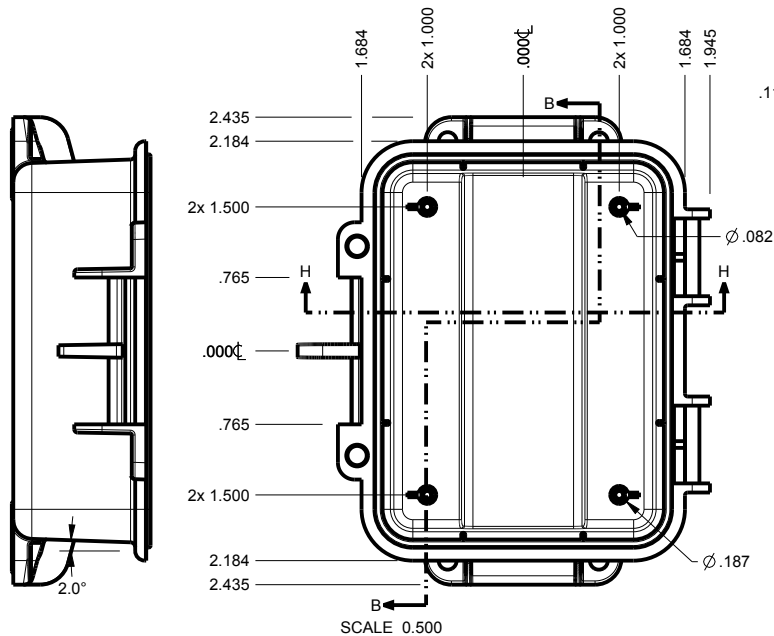
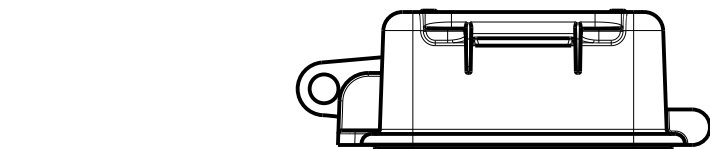
NEW AGE ENCLOSURES
 4330 Santa Fe Road San Luis Obispo, CA. 93401
 ph. (805) 595-1310 fax (805) 595-1024
www.newageenclosures.com

Customer's Part No: 403020

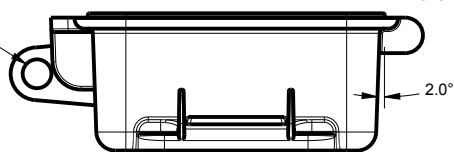
STANDARD - LATCH-n-LOCK
LXX-403020-XXX

SIZE	DRAWING NAME	SHEET	REV.DOC
A	403020_RD	3 OF 8	D

403020 BASE



NOTE: PADLOCK HOLE IS NOT STANDARD AND MUST BE MACHINED AFTER MOLDING.



SCALE 0.500

SECTION B-B

SECTION H-H

TOLERANCES: UNLESS OTHERWISE SPECIFIED DIMENSIONS ARE IN U.S. INCHES.
 X.XX = .015 X.XXXX = .001
 X.XXX = .010 X.X° = 1°

NEW AGE ENCLOSURES
 Customer's Part No: 403020

APPROVAL	BY	DATE
CHECK		
ENG.		
SCALE	AS NOTED	

DRAWN BY
 R CRUZ 02-Dec-13

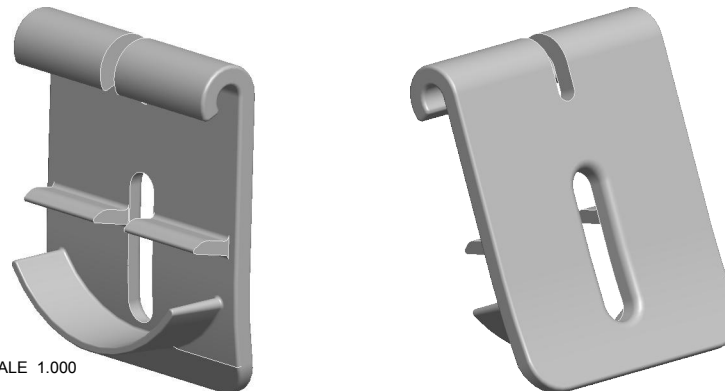
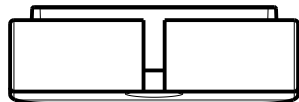
NEW AGE ENCLOSURES

4330 Santa Fe Road San Luis Obispo, CA. 93401
 ph. (805) 595-1310 fax (805) 595-1024
www.newageenclosures.com

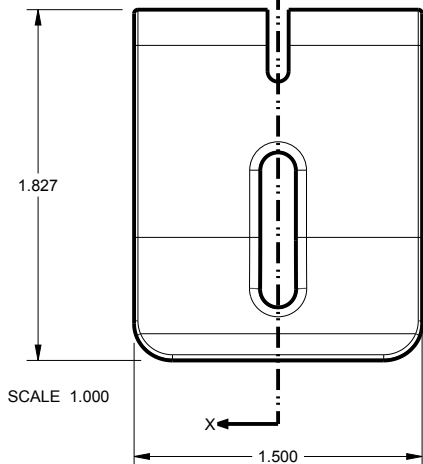
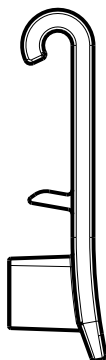
STANDARD - LATCH-n-LOCK
 LXX-403020-XXX

SIZE A	DRAWING NAME 403020_RD	SHEET 4 OF 8	REV.DOC D
-----------	---------------------------	-----------------	--------------

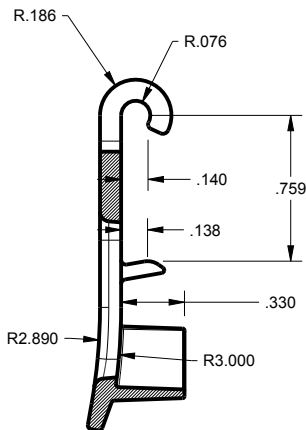
403020 HASP



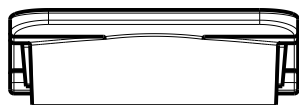
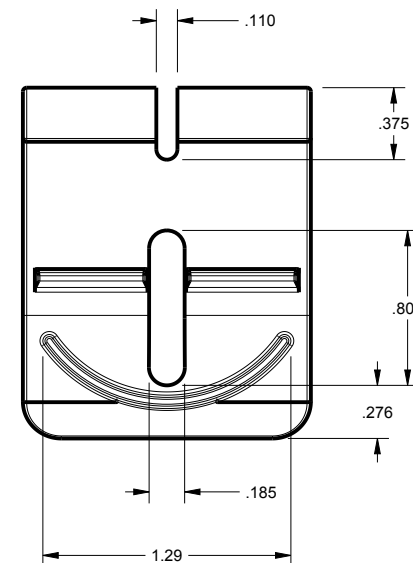
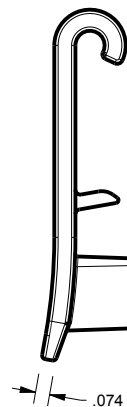
SCALE 1.000



SCALE 1.000

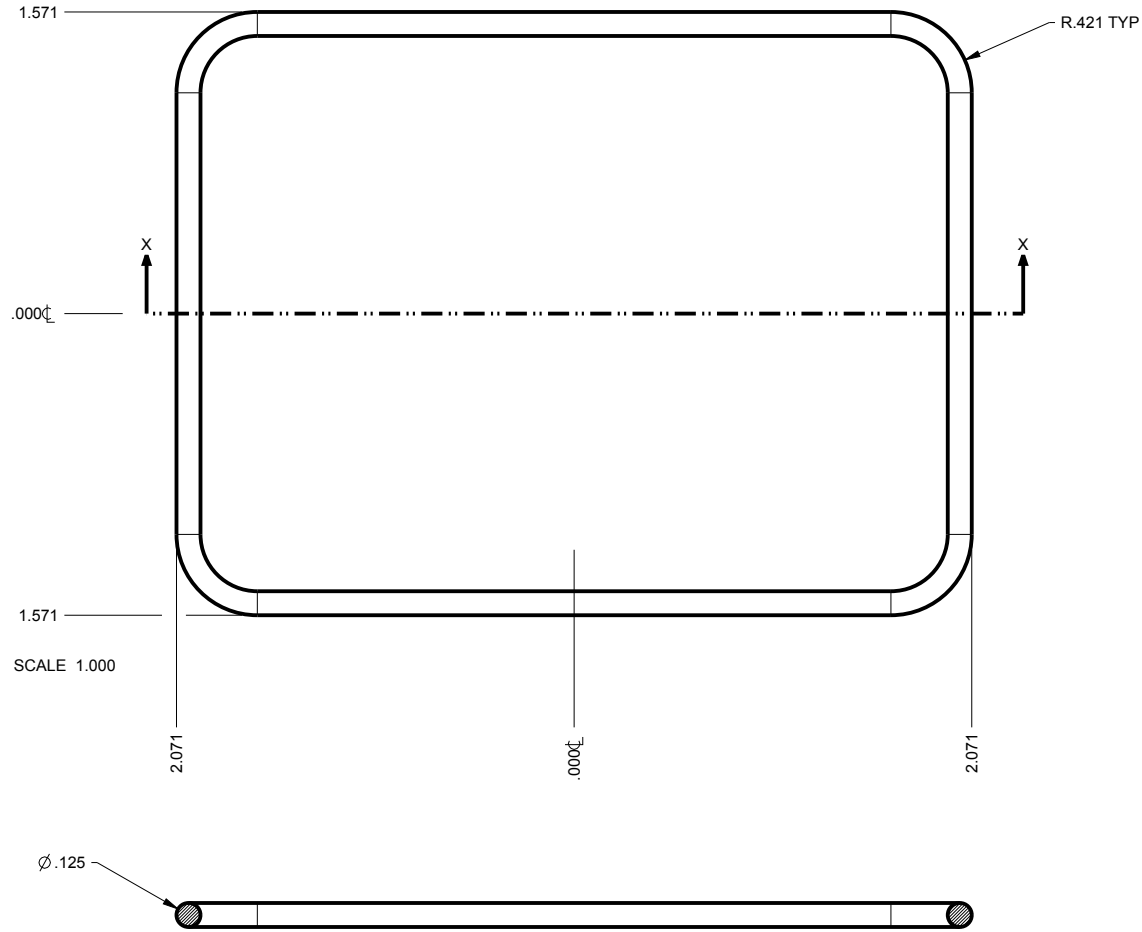


SECTION X-X



TOLERANCES: UNLESS OTHERWISE SPECIFIED DIMENSIONS ARE IN U.S. INCHES. X.XX = .015 X.XXXX = .001 X.XXX = .010 X.X° = 1°		NEW AGE ENCLOSURES		
Customer's Part No: 403020		4330 Santa Fe Road San Luis Obispo, CA. 93401 ph. (805) 595-1310 fax (805) 595-1024 www.newageenclosures.com		
APPROVAL	BY	DATE	STANDARD - LATCH-n-LOCK LXX-403020-XXX	
CHECK				
ENG.				
SCALE	AS NOTED			
DRAWN BY	SIZE	DRAWING NAME	SHEET	REV.DOC
R CRUZ	A	403020_RD	5 OF 8	D
	02-Dec-13			

403020 O-RING



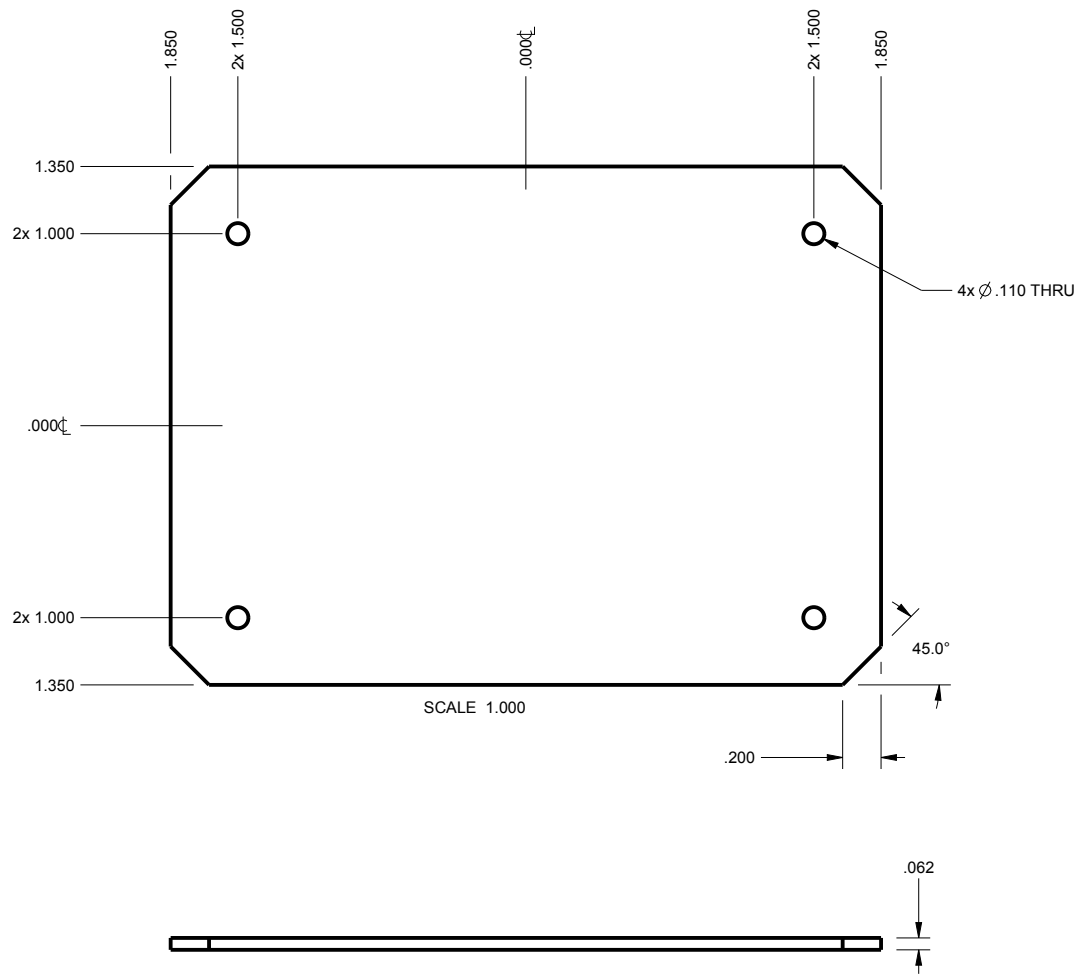
SCALE 1.000

SECTION X-X

TOLERANCES: UNLESS OTHERWISE SPECIFIED DIMENSIONS ARE IN U.S. INCHES. X.XX = .015 X.XXXX = .001 X.XXX = .010 X.X° = 1°		NEW AGE ENCLOSURES 4330 Santa Fe Road San Luis Obispo, CA. 93401 ph. (805) 595-1310 fax (805) 595-1024 www.newageenclosures.com	
NEW AGE ENCLOSURES Customer's Part No: 403020			
APPROVAL	BY	DATE	STANDARD - LATCH-n-LOCK LXX-403020-XXX
CHECK			
ENG.			
SCALE	AS NOTED		
DRAWN BY	02-Dec-13	SIZE	DRAWING NAME A 403020_RD
R CRUZ			SHEET 6 OF 8
			REV.DOC D

403020 PCB - CUSTOMER SUPPLIED

PCB SIZES ARE RECOMMENDATIONS ONLY. FINAL SIZES AND VERIFICATION OF ITS FIT ARE THE SOLE RESPONSIBILITY OF THE OEM.



TOLERANCES - UNLESS OTHERWISE SPECIFIED DIMENSIONS ARE IN U.S. INCHES.	
X.XX = .015 X.XXXX = .001	
X.XXX = .010 X.X° = 1°	
NEW AGE ENCLOSURES	
Customer's Part No: 403020	
APPROVAL	BY DATE
CHECK	
ENG.	
SCALE	AS NOTED
DRAWN BY	02-Dec-13
R CRUZ	

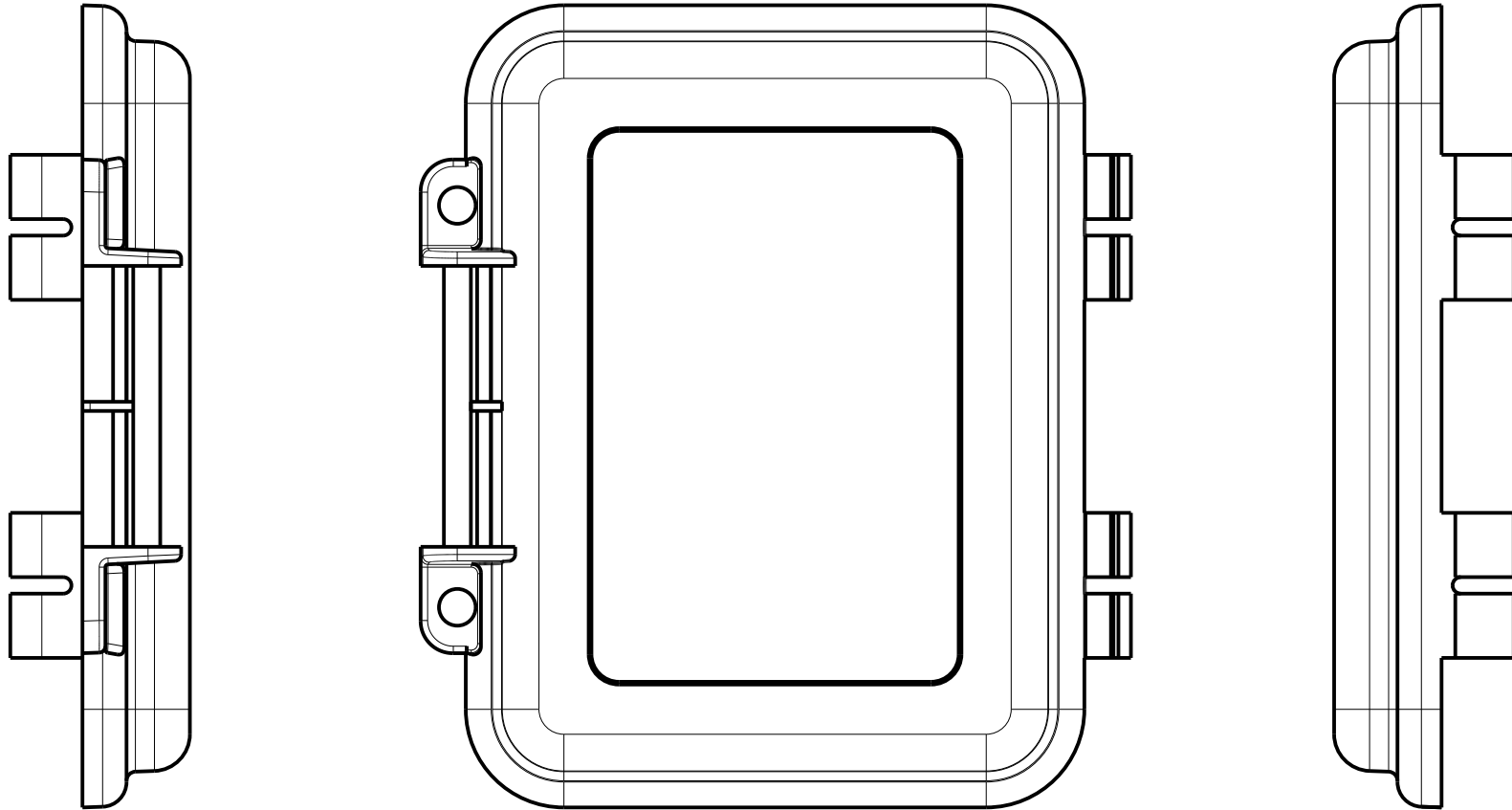
NEW AGE ENCLOSURES
 4330 Santa Fe Road San Luis Obispo, CA. 93401
 ph. (805) 595-1310 fax (805) 595-1024
www.newageenclosures.com

STANDARD - LATCH-n-LOCK
LXX-403020-XXX

SIZE	DRAWING NAME	SHEET	REV.DOC
A	403020_RD	7 OF 8	D

403020 - 2nd OPERATION DETAILS

NEW AGE ENCLOSURES DELIVERS YOUR ENCLOSURE MARKET-READY WITH IN-HOUSE
CNC MACHINING, PAD PRINTING, ASSEMBLY, AND FULFILLMENT.
ALL SURFACES AND AREAS ARE AVAILABLE FOR CNC ALTERATION BY NEW AGE ENCLOSURES
CALL (805)595-1310 FOR PRICING AND SCHEDULE.
THE INSIDE RADIUS OF ANY MACHINED FEATURES SHOULD BE NO SMALLER THAN .031"



403020 COVER
SCALE 1.000

LXX-403020-XXX COVER - ASA, BLACK

STEP NO	DESCRIPTION	CUTTER	FIXTURE	ORIENTATION	PROGRAM
1-C-C1	END CUT	T2 = .062" EM	-	SINGLE	-

LXX-403020-XXX COVER - ASA, BLACK

STEP NO	TYPE	FIXTURE	INK COLOR	CLICHE DESCRIPTION	CLICHE No.
2-C-P1	PAD PRINT	XXX	WHITE	-	CLXXXX or CLXXXXn

TOLERANCES: UNLESS OTHERWISE SPECIFIED
DIMENSIONS ARE IN U.S. INCHES.

X.XX = .015 X.XXXX = .001
X.XXX = .010 X.X° = 1°

NEW AGE ENCLOSURES
Customer's Part No: 403020

APPROVAL BY DATE

CHECK ENG.

SCALE AS NOTED

DRAWN BY R CRUZ

02-Dec-13

NEW AGE ENCLOSURES

4330 Santa Fe Road San Luis Obispo, CA. 93401
ph. (805) 595-1310 fax (805) 595-1024

www.newageenclosures.com

STANDARD - LATCH-n-LOCK LXX-403020-XXX

SIZE A DRAWING NAME 403020_RD SHEET 8 OF 8 REV.DOC D