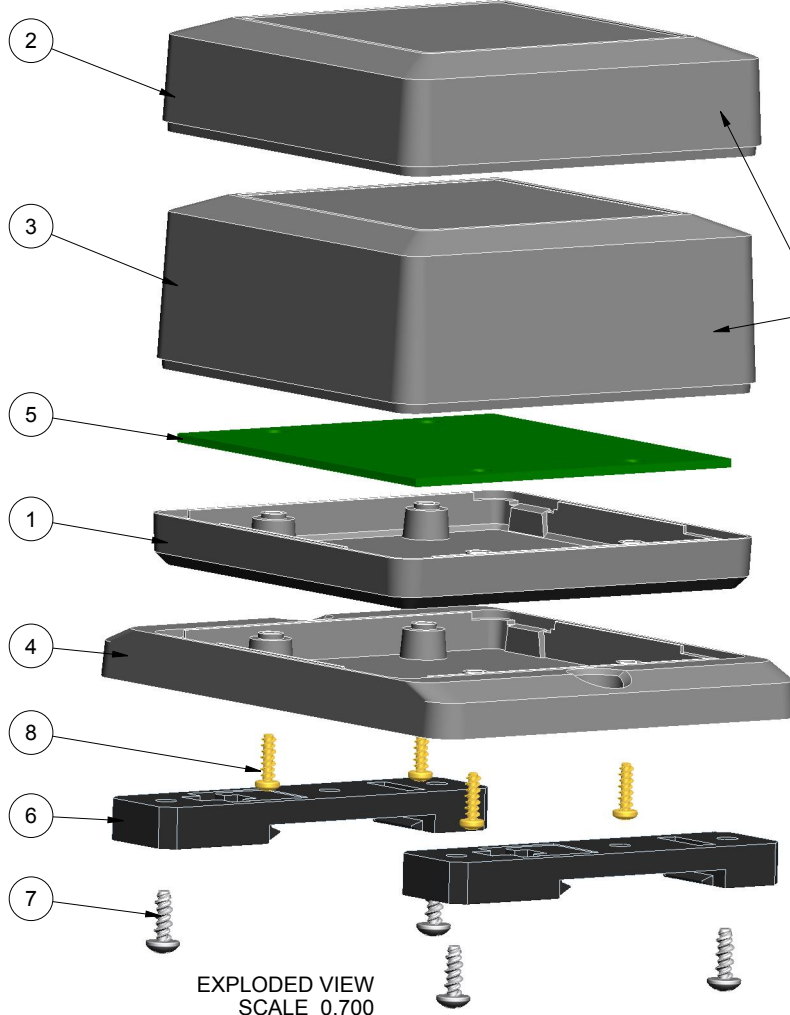


R E V I S I O N

| REV. | DRAWN BY | ECO No | DESCRIPTION | DATE | APPROVE |
|------|----------|--------|--|-------------|---------|
| A | M BOYER | DR1622 | PRELIMINARY DESIGN BASED ON 333314 THROUGH REV D | 2021-Nov-09 | J.T. |
| B | M BOYER | | REVISE PER 211109 REVIEW | 2021-Nov-10 | J.T. |
| C | M BOYER | | REMOVE FACEPLATE | 2022-Dec-06 | J.T. |
| D | M BOYER | | REMOVE STANDARD BASE VERSION | 2023-May-02 | D.C. |
| E | M BOYER | | ADD STANDARD BASE AND ALTERNATE HEIGHT COVER | 2024-Jan-30 | D.C. |
| F | M BOYER | | ADJUST WIDTH OF WALL BASE | 2024-Feb-19 | D.C. |
| G | M BOYER | | DETAIL TEXTURE INFO AND T1 REVIEW | 2024-Apr-08 | |



EXPLODED VIEW
SCALE 0.700

TALL VS SHORT
COVER EQUATES TO
1.200" VS 1.650"
ENCLOSURE HEIGHT

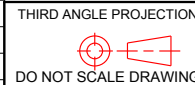
| 333315(x) CONFIGURATIONS | | | | |
|--------------------------|----|----|-----|-----|
| | -T | -S | -TW | -SW |
| 333315 TALL COVER | 1 | | 1 | |
| 333315 SHORT COVER | | 1 | | 1 |
| 333315 STANDARD BASE | 1 | 1 | | |
| 333315 WALL BASE | | | 1 | 1 |
| #4 HILO SCREW .375" | 4 | 4 | 4 | 4 |

NOTES: UNLESS OTHERWISE SPECIFIED

- CORNERS DRAWN SHARP TO BE R.005 MAXIMUM.
- EXTERIOR SURFACE TEXTURE TO MT-11020 EXCEPT WHERE NOTED ON SHEETS 2 AND 3.
- INTERIOR SURFACE TEXTURE TO BE: NONE.
- ALL INSIDE RADII .010R. ALL OUTSIDE RADII .020R MAX, UNLESS OTHERWISE SPECIFIED.
- ALL EXTERNAL DIMENSIONS AFFECTED BY THE DRAFT APPLY AT THE LARGE END OF THE FEATURE, AND ALL INTERNAL FEATURES AFFECTED BY THE DRAFT APPLY AT THE SMALL END OF THE FEATURE UNLESS OTHERWISE SPECIFIED.
- 1 DEGREE DRAFT IN THE DIRECTION OF PULL IS PERMISSIBLE UNLESS OTHERWISE SPECIFIED.
- ASSEMBLY SCREWS FOR THE ENCLOSURE INCLUDED. MOUNTING SCREWS FOR THE PCB ARE SOLD SEPERATELY.
- MATERIAL / COLOR: ABS PLASTIC IS STANDARD IN BLACK OR WHITE. CUSTOM MATERIALS AND COLORS ARE AVAILABLE UPON REQUEST FOR QUOTE.
- PCB SIZES ARE RECOMMENDATIONS ONLY. FINAL SIZES AND VERIFICATION OF ITS FIT ARE THE SOLE RESPONSIBILITY OF THE CUSTOMER.

| ITEM | FILE NAME | DESCRIPTION | MATERIAL | COLOR | QTY. |
|------|--------------------|-----------------------------|----------------|-------------------|------|
| 8 | NO_4_375_SCREW | No4 HiLo x .375" - PCB | #4 HiLo x 3/8" | INCLUDED | 4 |
| 7 | NO6X375_HILO_SCREW | #6 HiLo X .375" - DIN MOUNT | REFERENCE ONLY | CUSTOMER SUPPLIED | 4 |
| 6 | DINM12-RC | UNIVERSAL DIN RAIL ADAPTER | REFERENCE ONLY | CUSTOMER SUPPLIED | 2 |
| 5 | 333315_PCB | 333315 PCB - REFERENCE | .062" THICK | CUSTOMER SUPPLIED | 1 |
| 4 | 333315_WALL-BASE | 333315 WALL - STANDARD | ABS | BLACK or WHITE | 1 |
| 3 | 333315_T-COVER | 333315 COVER - STANDARD | ABS | BLACK or WHITE | 1 |
| 2 | 333315_S-COVER | 333315 COVER - STANDARD | ABS | BLACK or WHITE | 1 |
| 1 | 333315_BASE | 333315 WALL - STANDARD | ABS | BLACK or WHITE | 1 |

BILL OF MATERIALS



TOLERANCES: UNLESS OTHERWISE SPECIFIED
DIMENSIONS ARE IN U.S. INCHES.
X.XX = .015 X.XXXX = .001
X.XXX = .010 X.X° = 1°

NEW AGE ENCLOSURES
Customer's Part No: 333315

| | | |
|----------|----------|------|
| APPROVAL | BY | DATE |
| CHECK | | |
| ENG. | | |
| SCALE | AS NOTED | |

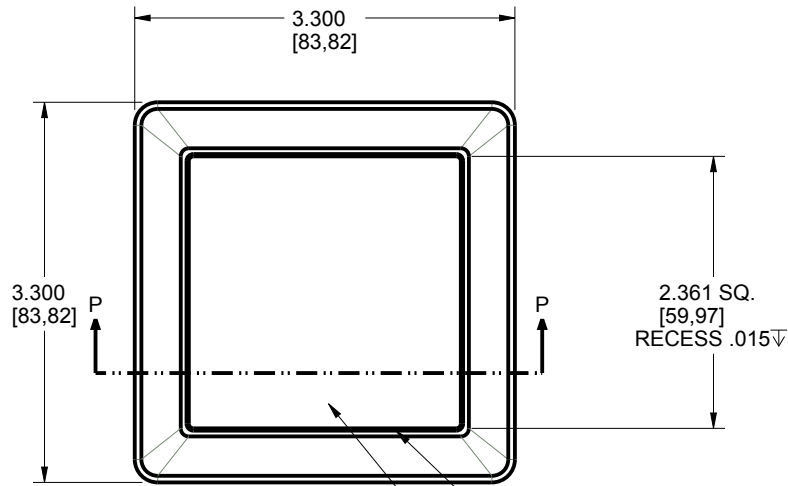
DRAWN BY
M BOYER
2021-Jun-29

NEW AGE ENCLOSURES
2240 South Thornburg Street
ph. (805) 595-1310
Santa Maria, CA, 93455
fax (805) 595-1024
www.newageenclosures.com

**3" SQUARE UTIL. - STANDARD
SXX-333315X-XXX**

| | | | |
|------|--------------|--------|---------|
| SIZE | DRAWING NAME | SHEET | REV.DOC |
| A | 333315X_RG | 1 OF 9 | G |

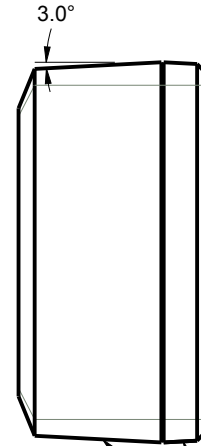
333315 "T" ASSEMBLY
TALL COVER + STANDARD BASE



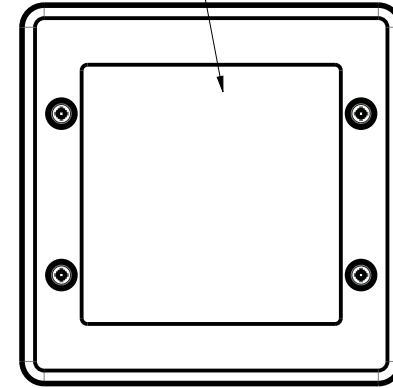
SCALE 0.600

BEAUTY RING TEXTURE
TO BE B3 POLISH

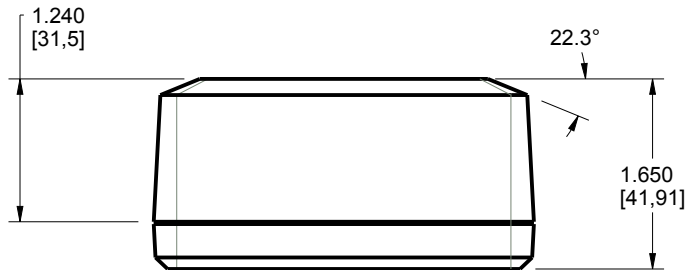
RECESS AREA TEXTURE
TO BE MT-11010



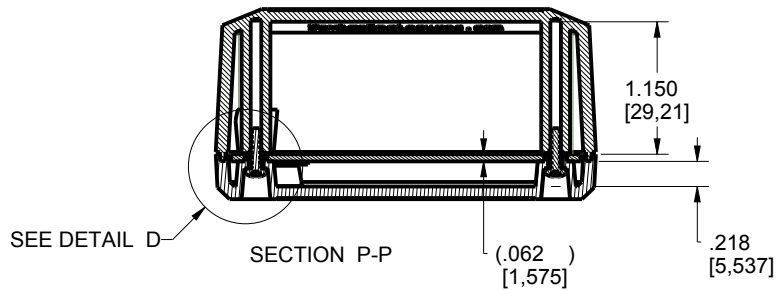
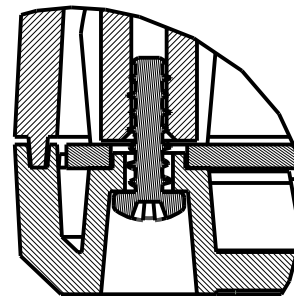
LABEL RECESS TEXTURE
TO BE B3 POLISH



ALL 3° WALLS TO BE MT-11020 x 50%



DETAIL D
SCALE 2.000



TOLERANCES: UNLESS OTHERWISE SPECIFIED
DIMENSIONS ARE IN U.S. INCHES.
X.XX = .015 X.XXXX = .001
X.XXX = .010 X.X° = 1°

NEW AGE ENCLOSURES

Customer's Part No: 333315

APPROVAL BY DATE

CHECK

ENG.

SCALE AS NOTED

DRAWN BY M BOYER 2021-Jun-29

NEW AGE ENCLOSURES

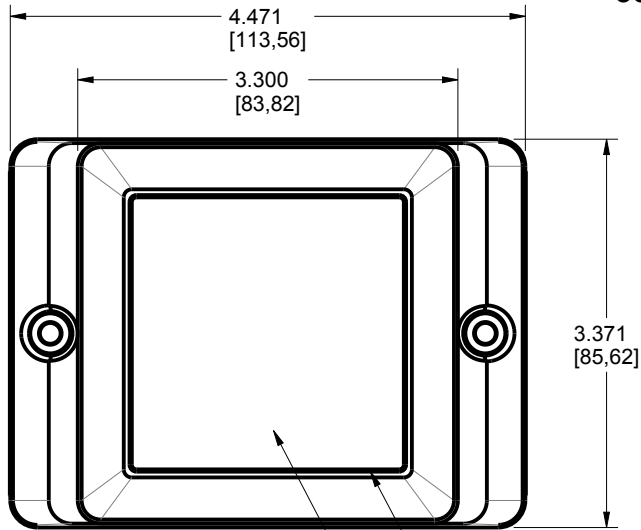
2240 South Thornburg Street Santa Maria, CA. 93455
ph. (805) 595-1310 fax (805) 595-1024
www.newageenclosures.com

3" SQUARE UTIL. - STANDARD
SXX-333315X-XXX

SIZE A DRAWING NAME 333315X_RG

SHEET 2 OF 9 REV.DOC G

333315 "SW" ASSEMBLY
SHORT COVER + WALL BASE

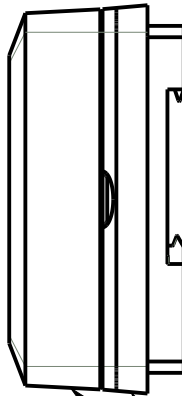


SCALE 0.600

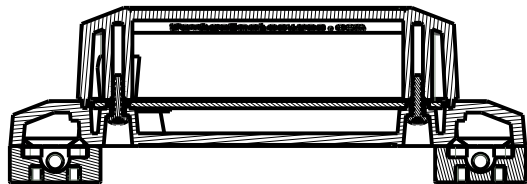
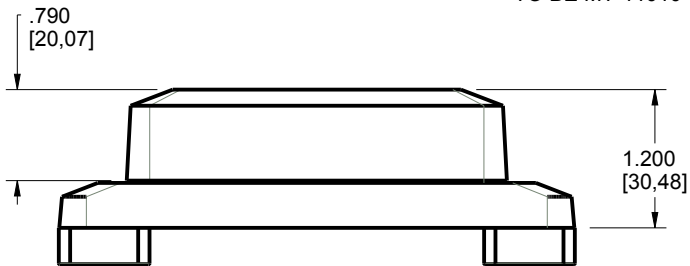
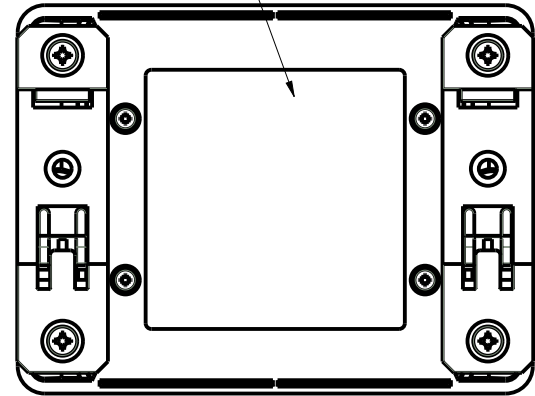
BEAUTY RING TEXTURE
TO BE B3 POLISH

RECESS AREA TEXTURE
TO BE MT-11010

LABEL RECESS TEXTURE
TO BE B3 POLISH



ALL 3° WALLS TO BE MT-11020 x 50% ▽



SECTION P-P

TOLERANCES: UNLESS OTHERWISE SPECIFIED
DIMENSIONS ARE IN U.S. INCHES.
X.XX = .015 X.XXXX = .001
X.XXX = .010 X.X° = 1°

NEW AGE ENCLOSURES
2240 South Thornburg Street Santa Maria, CA. 93455
ph. (855) 462-3625 fax (805) 595-1024

Customer's Part No: 333315

www.newageenclosures.com

| | | |
|----------|----------|------|
| APPROVAL | BY | DATE |
| CHECK | | |
| ENG. | | |
| SCALE | AS NOTED | |

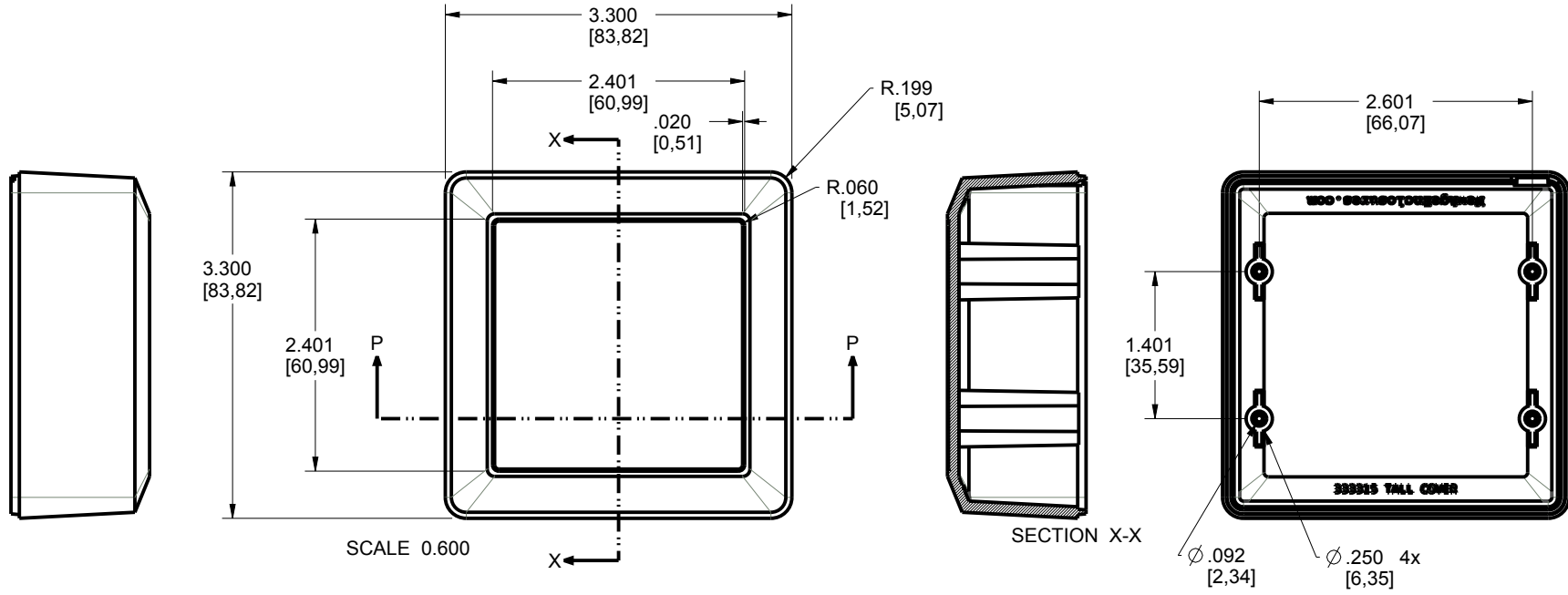
3" SQUARE UTIL. - STANDARD
SXX-333315X-XXX

DRAWN BY
M BOYER 2021-Jun-29

SIZE A DRAWING NAME
333315X_RG

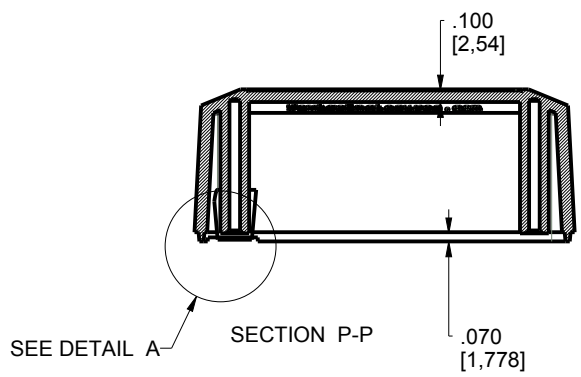
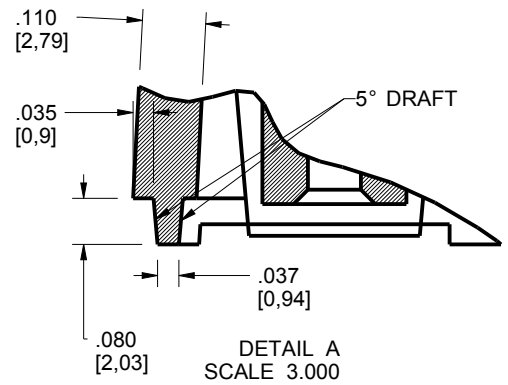
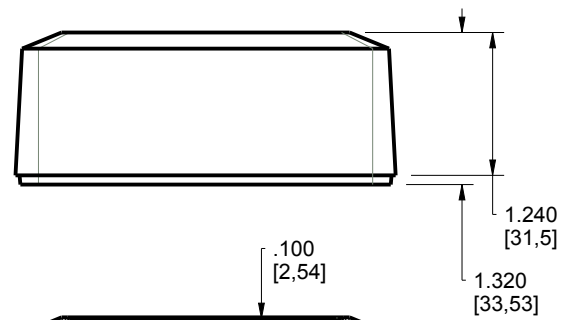
SHEET 3 OF 9 REV.DOC G

333315 TALL COVER



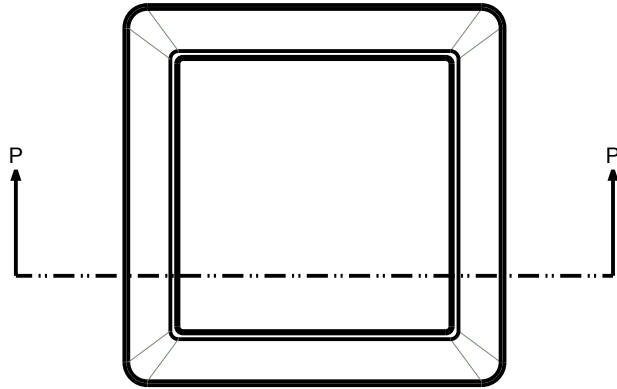
SCALE 0.600

SECTION X-X

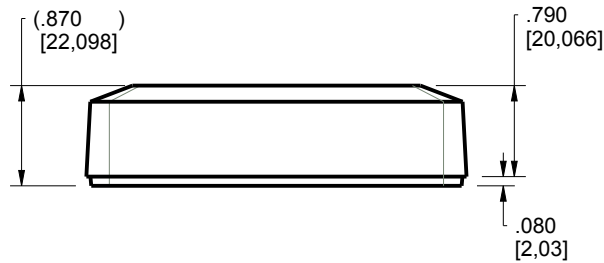
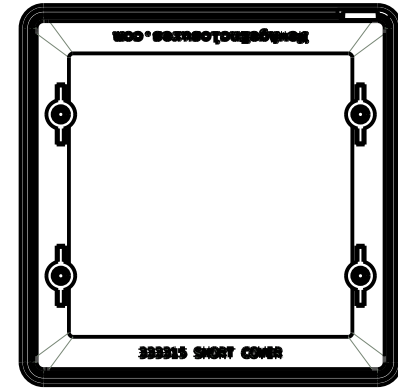
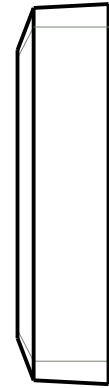
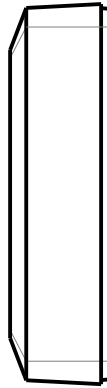


| | | | |
|---|-------------|---|---|
| TOLERANCES: UNLESS OTHERWISE SPECIFIED DIMENSIONS ARE IN U.S. INCHES. X.XX = .015 X.XXXX = .001 X.XXX = .010 X.X° = 1° | | NEW AGE ENCLOSURES | |
| NEW AGE ENCLOSURES | | 2240 South Thornburg Street Santa Maria, CA. 93455 ph. (805) 595-1310 fax (805) 595-1024 www.newageenclosures.com | |
| Customer's Part No: 333315 | | | |
| APPROVAL | BY | DATE | 3" SQUARE UTIL. - STANDARD SXX-333315X-XXX |
| CHECK | | | |
| ENG. | | | |
| SCALE | AS NOTED | | |
| DRAWN BY | M BOYER | | SIZE A |
| | 2021-Jun-29 | | DRAWING NAME 333315X_RG |
| | | | SHEET 4 OF 9 |
| | | | REV.DOC G |

333315 SHORT COVER



SCALE 0.600



SECTION P-P

TOLERANCES: UNLESS OTHERWISE SPECIFIED
DIMENSIONS ARE IN U.S. INCHES.
X.XX = .015 X.XXXX = .001
X.XXX = .010 X.X° = 1°

NEW AGE ENCLOSURES
Customer's Part No: 333315

| | | |
|----------|----------|------|
| APPROVAL | BY | DATE |
| CHECK | | |
| ENG. | | |
| SCALE | AS NOTED | |

DRAWN BY
M BOYER

2021-Jun-29

SIZE
A

DRAWING NAME
333315X_RG

NEW AGE ENCLOSURES

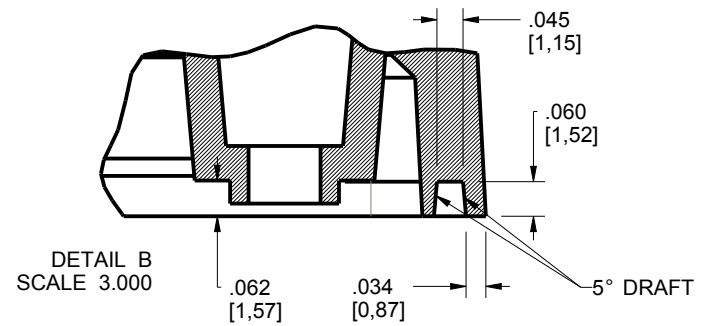
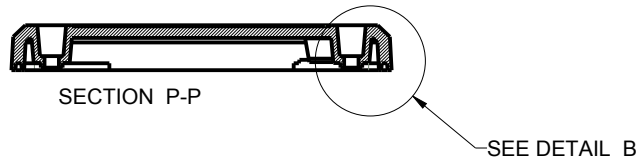
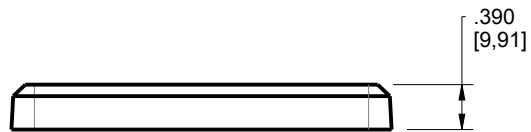
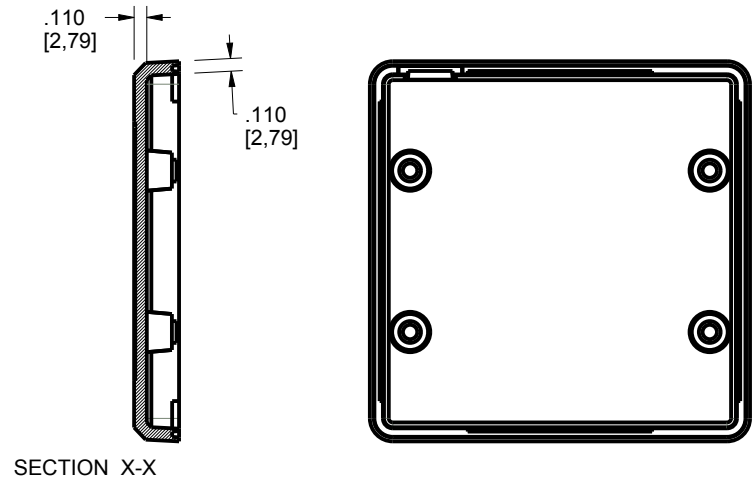
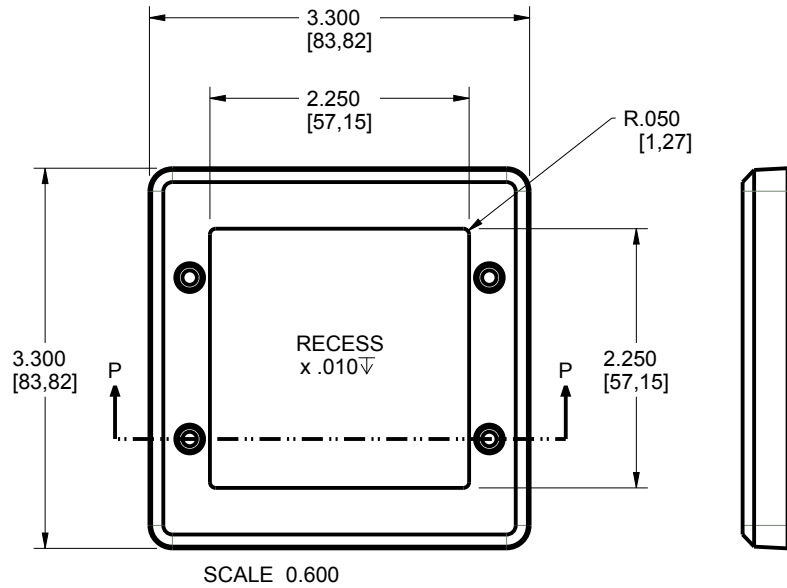
2240 South Thornburg Street Santa Maria, CA. 93455
ph. (855) 462-3625 fax (805) 595-1024
www.newageenclosures.com

3" SQUARE UTIL. - STANDARD
SXX-333315X-XXX

SHEET 5 OF 9

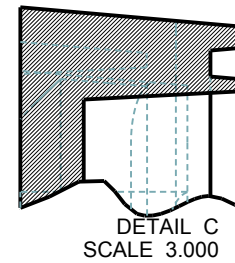
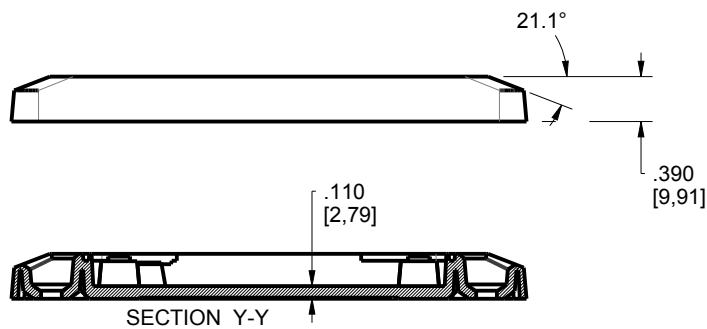
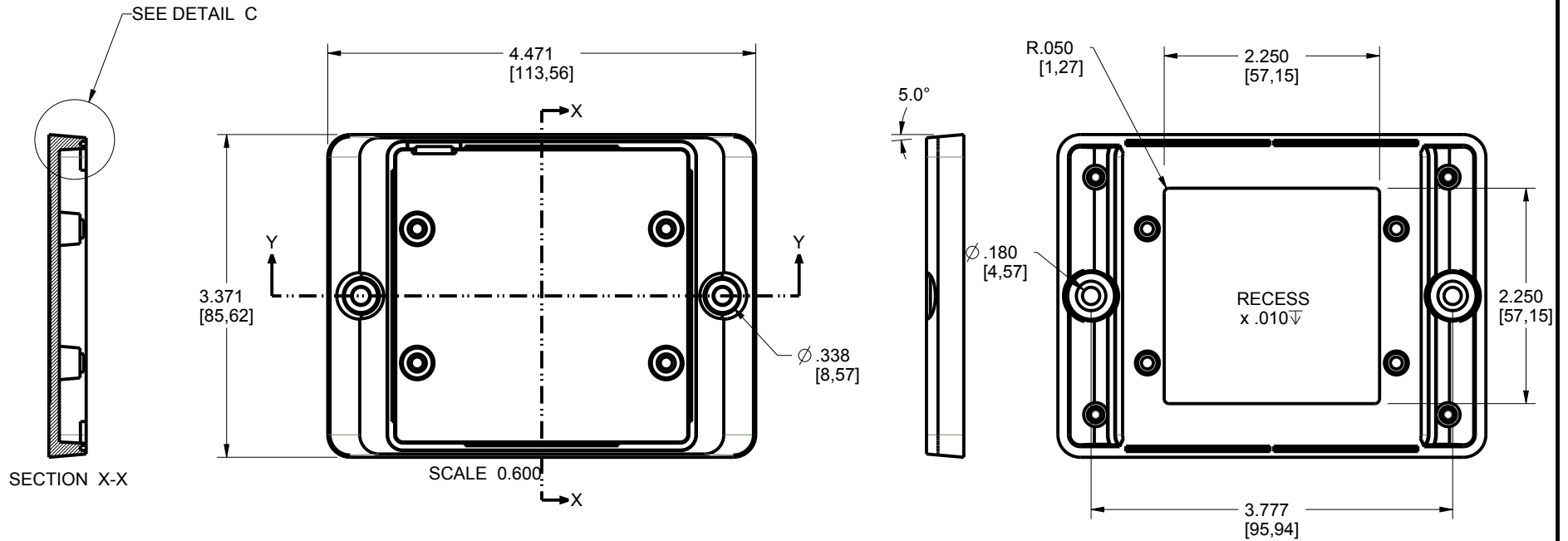
REV.DOC G

333315 STANDARD BASE



| | | | |
|--|----------|---|---|
| TOLERANCES - UNLESS OTHERWISE SPECIFIED DIMENSIONS ARE IN U.S. INCHES. X.XX = .015 X.XXXX = .001 X.XXX = .010 X.X° = 1° | | NEW AGE ENCLOSURES | |
| NEW AGE ENCLOSURES | | 2240 South Thornburg Street Santa Maria, CA. 93455 ph. (855) 462-3625 fax (805) 595-1024 www.newageenclosures.com | |
| Customer's Part No: 333315 | | | |
| APPROVAL | BY | DATE | 3" SQUARE UTIL. - STANDARD SXX-333315X-XXX |
| CHECK | | | |
| ENG. | | | |
| SCALE | AS NOTED | | |
| DRAWN BY | M BOYER | 2021-Jun-29 | SIZE A |
| | | | DRAWING NAME 333315X_RG |
| | | | SHEET 6 OF 9 |
| | | | REV.DOC G |

333315 WALL BASE



TOLERANCES: UNLESS OTHERWISE SPECIFIED
DIMENSIONS ARE IN U.S. INCHES.
X.XX = .015 X.XXXX = .001
X.XXX = .010 X.X° = 1°

NEW AGE ENCLOSURES
Customer's Part No: 333315

| | | |
|----------|----------|------|
| APPROVAL | BY | DATE |
| CHECK | | |
| ENG. | | |
| SCALE | AS NOTED | |

DRAWN BY
M BOYER 2021-Jun-29

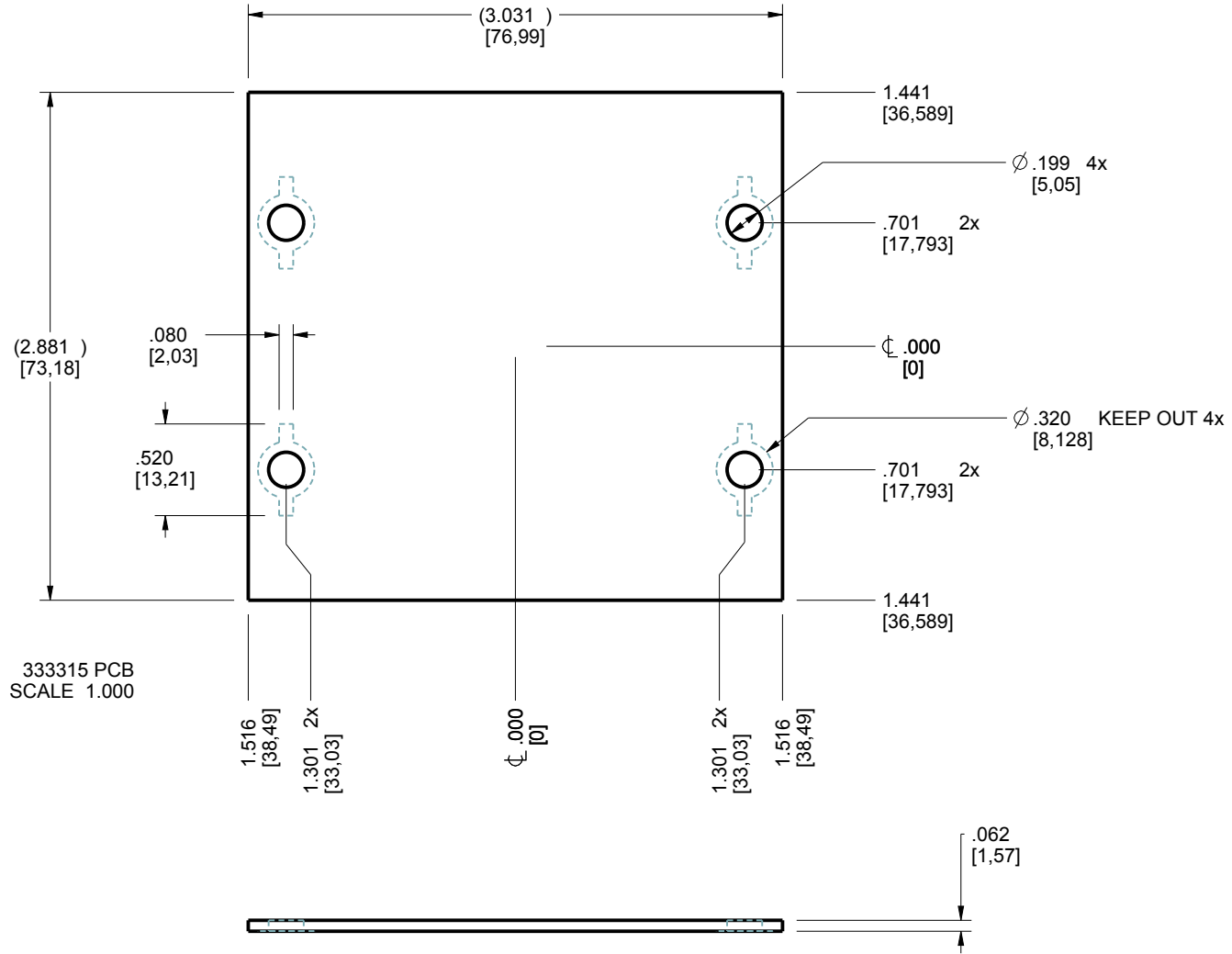
NEW AGE ENCLOSURES
2240 South Thornburg Street Santa Maria, CA. 93455
ph. (805) 595-1310 fax (805) 595-1024
www.newageenclosures.com

3" SQUARE UTIL. - STANDARD
SXX-333315X-XXX

| | | | |
|-----------|----------------------------|-----------------|--------------|
| SIZE A | DRAWING NAME 333315X_RG | SHEET 7 OF 9 | REV.DOC G |
|-----------|----------------------------|-----------------|--------------|

333315 PCB - CUSTOMER SUPPLIED

PCB SIZES ARE RECOMMENDATIONS ONLY. FINAL SIZES AND VERIFICATION OF ITS FIT ARE THE SOLE RESPONSIBILITY OF THE OEM.



TOLERANCES: UNLESS OTHERWISE SPECIFIED
DIMENSIONS ARE IN U.S. INCHES.
X.XX = .015 X.XXXX = .001
X.XXX = .010 X.X° = 1°

NEW AGE ENCLOSURES

Customer's Part No: 333315

| | | |
|----------|----------|------|
| APPROVAL | BY | DATE |
| CHECK | | |
| ENG. | | |
| SCALE | AS NOTED | |

DRAWN BY
M BOYER 2021-Jun-29

NEW AGE ENCLOSURES

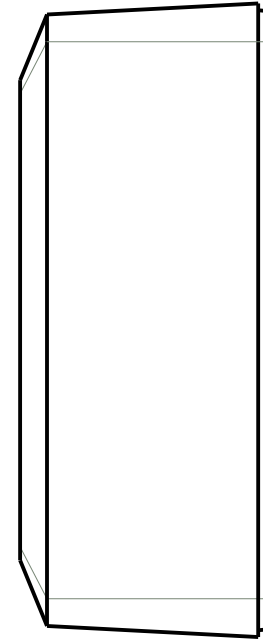
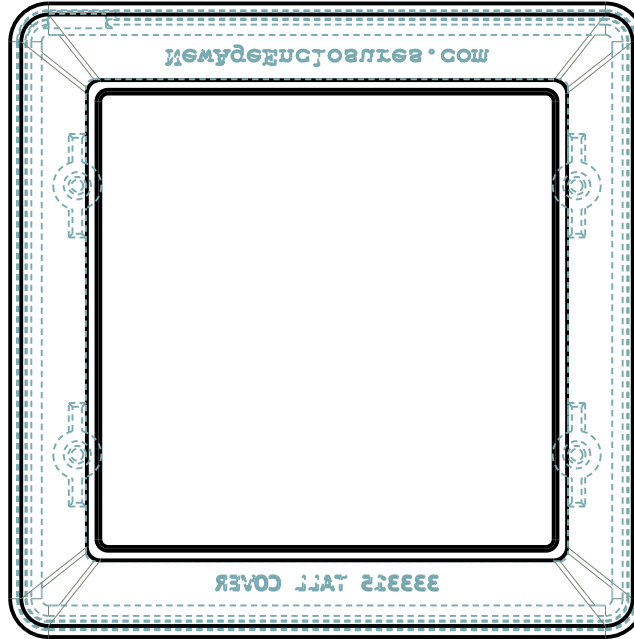
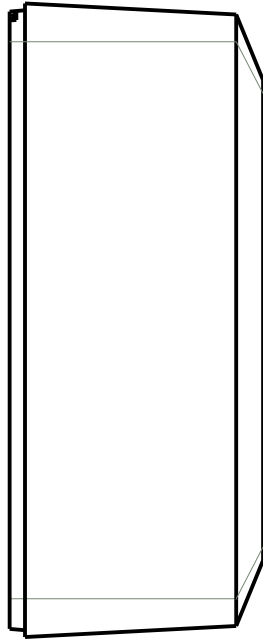
2240 South Thornburg Street Santa Maria, CA. 93455
ph. (805) 595-1310 fax (805) 595-1024
www.newageenclosures.com

3" SQUARE UTIL. - STANDARD
SXX-333315X-XXX

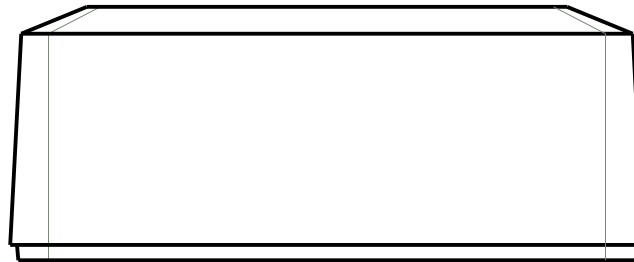
| | | | |
|-----------|----------------------------|-----------------|--------------|
| SIZE A | DRAWING NAME 333315X_RG | SHEET 8 OF 9 | REV.DOC G |
|-----------|----------------------------|-----------------|--------------|

2nd OPERATION DETAILS

NEW AGE ENCLOSURES DELIVERS YOUR ENCLOSURE MARKET-READY WITH IN-HOUSE
CNC MACHINING, PAD PRINTING, ASSEMBLY, AND FULFILLMENT.
ALL SURFACES AND AREAS ARE AVAILABLE FOR CNC ALTERATION BY NEW AGE ENCLOSURES
CALL (805) 595-1310 FOR PRICING AND SCHEDULE.
THE INSIDE RADIUS OF ANY MACHINED FEATURES SHOULD BE NO SMALLER THAN .031"



333315 TALL COVER
SCALE 1.000



| 333315(x) CONFIGURATIONS | | | | |
|--------------------------|----|----|-----|-----|
| | -T | -S | -TW | -SW |
| 333315 TALL COVER | 1 | | 1 | |
| 333315 SHORT COVER | | 1 | | 1 |
| 333315 STANDARD BASE | 1 | 1 | | |
| 333315 WALL BASE | | | 1 | 1 |
| #4 HiLo SCREW .375" | 4 | 4 | 4 | 4 |

TOLERANCES: UNLESS OTHERWISE SPECIFIED
DIMENSIONS ARE IN U.S. INCHES.
X.XX = .015 X.XXXX = .001
X.XXX = .010 X.X° = 1°

NEW AGE ENCLOSURES

Customer's Part No: 333315

| | | |
|----------|-------------|------|
| APPROVAL | BY | DATE |
| CHECK | | |
| ENG. | | |
| SCALE | AS NOTED | |
| DRAWN BY | M BOYER | |
| | 2021-Jun-29 | |

NEW AGE ENCLOSURES

2240 South Thornburg Street Santa Maria, CA. 93455
ph. (805) 595-1310 fax (805) 595-1024
www.newageenclosures.com

3" SQUARE UTIL. - STANDARD
SXX-333315X-XXX

| | | | |
|------|--------------|--------|---------|
| SIZE | DRAWING NAME | SHEET | REV.DOC |
| A | 333315X_RG | 9 OF 9 | G |

SXX-333315-XXX COVER - ABS, BLACK

| STEP NO | DESCRIPTION | CUTTER | FIXTURE | ORIENTATION | PROGRAM |
|---------|-------------|---------------|---------|-------------|---------|
| 1-C-C1 | - | T2 = .062" EM | 326 | - | o1000 |