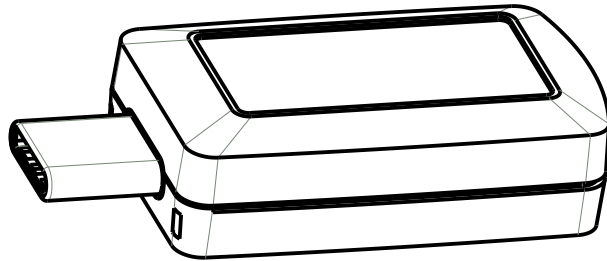


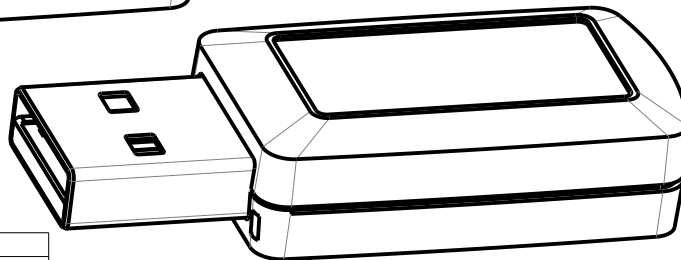
NOTES: UNLESS OTHERWISE SPECIFIED

1. CORNERS DRAWN SHARP TO BE R.005 MAXIMUM.
2. EXTERIOR SURFACE TEXTURE TO BE LIGHT EDM FINISH. EQUIVELANT TO MT-11010.
3. INTERIOR SURFACE TEXTURE TO BE: NONE.
4. ALL INSIDE RADII .010R. ALL OUTSIDE RADII .020R MAX, UNLESS OTHERWISE SPECIFIED.
5. ALL EXTERNAL DIMENSIONS AFFECTED BY THE DRAFT APPLY AT THE LARGE END OF THE FEATURE, AND ALL INTERNAL FEATURES AFFECTED BY THE DRAFT APPLY AT THE SMALL END OF THE FEATURE UNLESS OTHERWISE SPECIFIED.
6. 1 DEGREE DRAFT IN THE DIRECTION OF PULL IS PERMISSIBLE UNLESS OTHERWISE SPECIFIED.
7. THIS ENCLOSURE IS A SNAP FIT ASSEMBLY. FOR PERMANENT CLOSURE: A DROP OF ADHESIVE IS REQUIRED.
8. MATERIAL / COLOR: ABS PLASTIC IS STANDARD IN BLACK OR WHITE. CUSTOM MATERIALS AND COLORS ARE AVAILABLE UPON REQUEST FOR QUOTE.
9. PCB SIZES ARE RECOMMENDATIONS ONLY. FINAL SIZES AND VERIFICATION OF IT'S FIT ARE THE SOLE RESPONSIBILITY OF OEM.
10. THIS DRAWING IS BASED ON A SOLID MODEL, AND IS FURTHER DEFINED BY THE SOLID MODEL FILE.
11. TRIM GATE WITHIN 0.030" OF FLUSH.
12. STANDARD OR CUSTOM LABEL RECESSES ARE AVAILABLE UPON REQUEST FOR QUOTE.

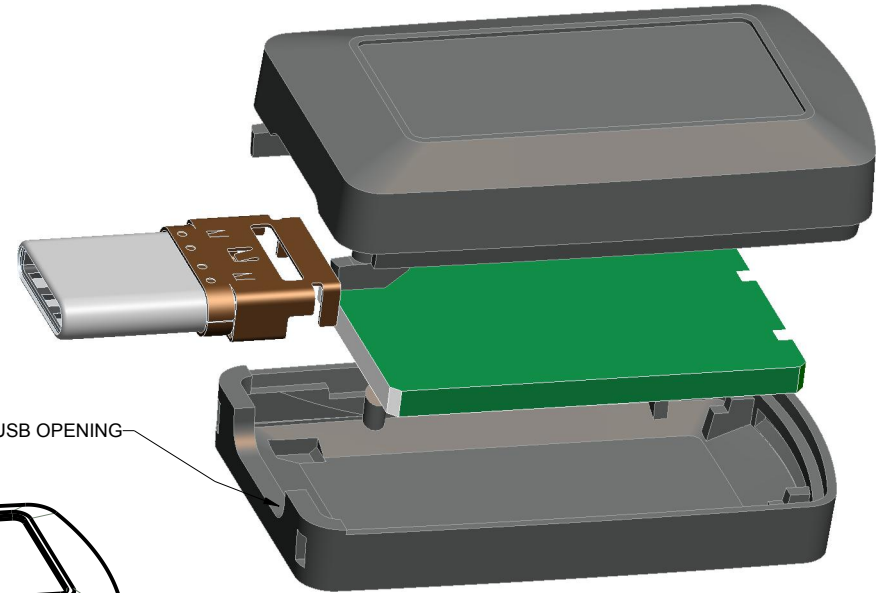
R E V I S I O N					
REV.	DRAWN BY	ECO No	DESCRIPTION	DATE	APPROVED
1	M BOYER		PRELIMINARY RELEASE	28-Jan-09	D.C.
1.1	M BOYER	0710	UPDATE FORMAT	20-Mar-10	D.C.
1.2	M BOYER	0911	ADD CONFIG TREE AND UPDATE FORMAT	30-Mar-11	D.C.
2.0	M BOYER	6713	REVISE HOOK AREA	30-Sep-13	D.C.
3.0	M BOYER	1923	ADD CONFIGURATION FOR TYPE C USB	2024-May-22	



120704C ASSEMBLY
SCALE 2.000



120704U ASSEMBLY
SCALE 2.000




EXPLODED VIEW
SCALE - 2.500

120704(x) CONFIGURATIONS

	-C	-U
120704 COVER w/ TYPE C USB OPENING	1	
120704 COVER w/ TYPE A USB OPENING		1
120704 BASE w/ TYPE C USB OPENING	1	
120704 BASE w/ TYPE A USB OPENING		1

ITEM	FILE NAME	DESCRIPTION	MATERIAL	COLOR	QTY.
4	USB-C_CONNECTOR	SMT USB-C			1
3	120704_PCB	120704 PCB - REFERENCE	.062" THICK	CUSTOMER SUPPLIED	1
2	120704_COVER	120704X COVER - STANDARD	ABS	BLACK or WHITE	1
1	120704_BASE	120704X BASE - STANDARD	ABS	BLACK or WHITE	1

BILL OF MATERIALS

THIRD ANGLE PROJECTION

 DO NOT SCALE DRAWING

TOLERANCES: UNLESS OTHERWISE SPECIFIED
 DIMENSIONS ARE IN U.S. INCHES.
 X.XX = .015 X.XXXX = .001
 X.XXX = .010 X.X" = 1"

NEW AGE ENCLOSURES
 Customer's Part No: 120704X

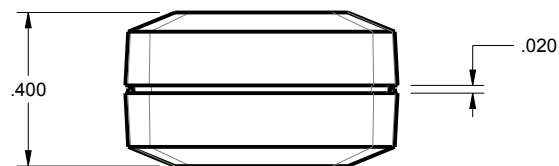
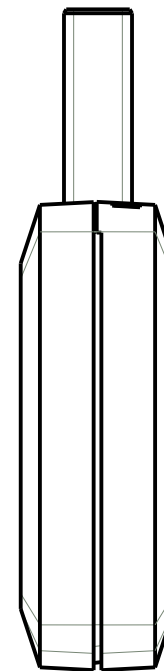
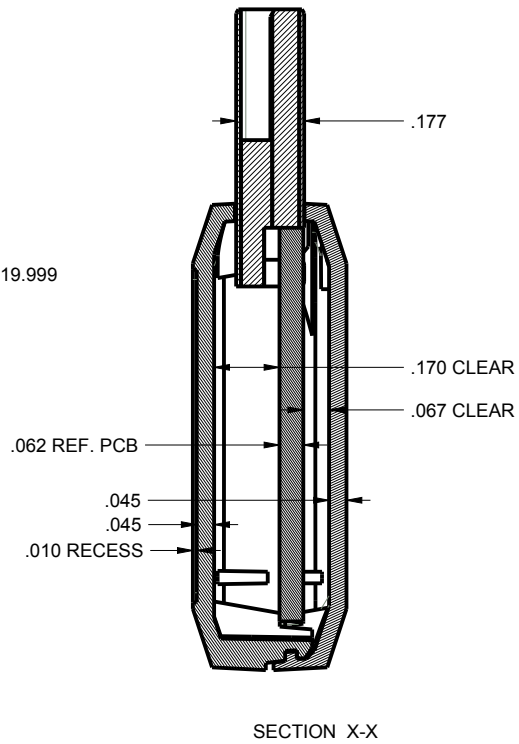
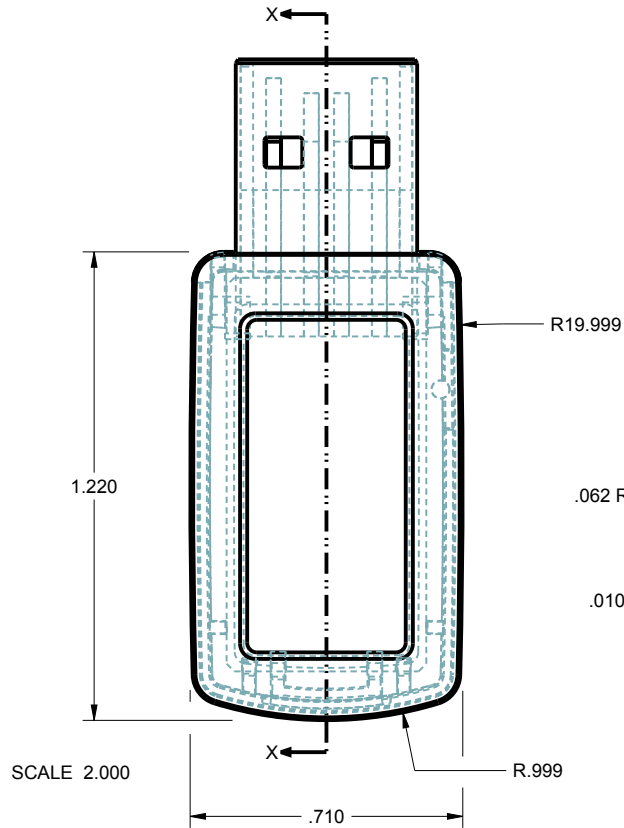
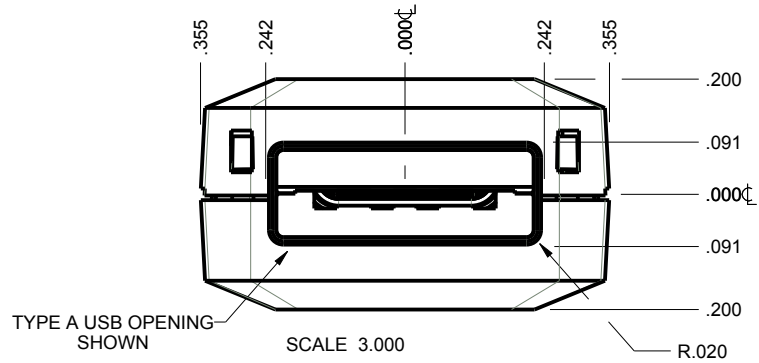
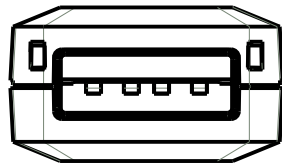
APPROVAL	BY	DATE
CHECK		
ENG.		
SCALE	AS NOTED	
DRAWN BY	M BOYER	
	2009-Jan-28	

NEW AGE ENCLOSURES

2240 South Thornburg Street Santa Maria, CA. 93455
 ph. (805) 595-1310 fax (805) 595-1024
www.newageenclosures.com

USB KEY - STANDARD
 PXX-120704X-XXX

SIZE	DRAWING NAME	SHEET	REV.DOC
A	120704X_R3_0	1 OF 6	3.0

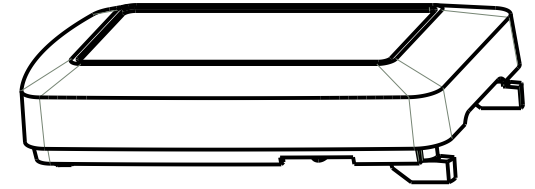
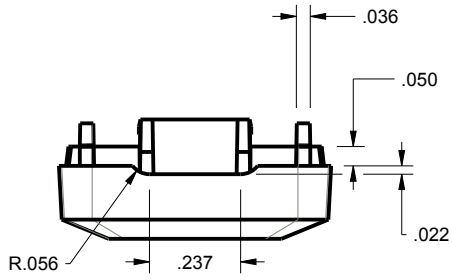


P120704U SHOWN WITH (CUSTOMER SUPPLIED) PCB

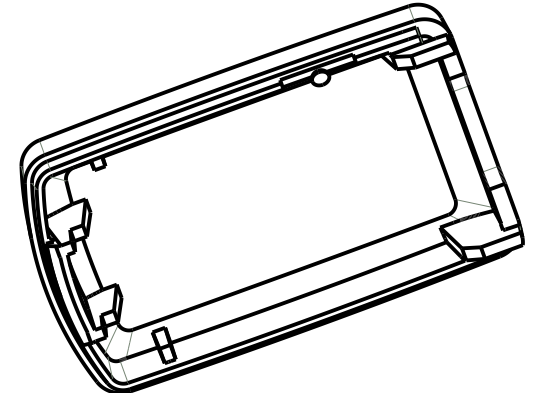
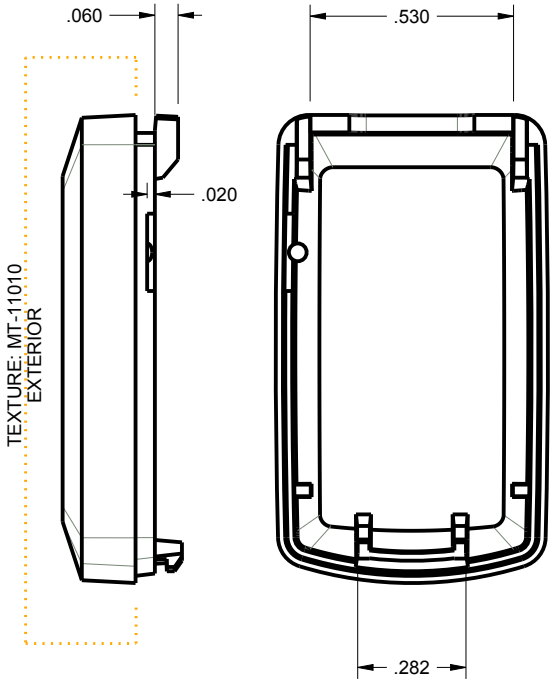
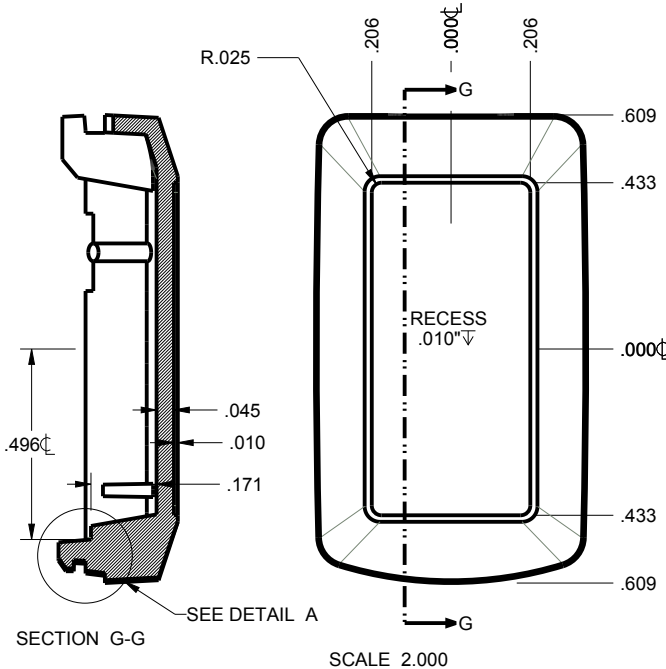
TOLERANCES: UNLESS OTHERWISE SPECIFIED DIMENSIONS ARE IN U.S. INCHES. X.XX = .015 X.XXXX = .001 X.XXX = .010 X.X° = 1°		NEW AGE ENCLOSURES	
NEW AGE ENCLOSURES		2240 South Thornburg Street Santa Maria, CA. 93455 ph. (805) 595-1310 fax (805) 595-1024 www.newageenclosures.com	
Customer's Part No: 120704X			
APPROVAL	BY	DATE	
CHECK			
ENG.			
SCALE	AS NOTED		
DRAWN BY	2009-Jan-28	SIZE	DRAWING NAME
M BOYER		A	120704X_R3_0
		SHEET	REV.DOC
		2 OF 6	3.0

USB KEY - STANDARD
PXX-120704X-XXX

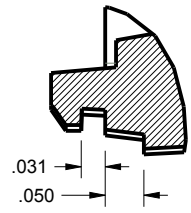
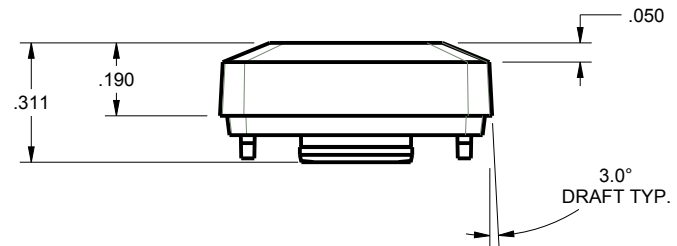
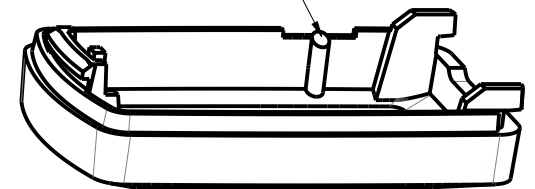
P120704X COVER



SCALE 2.000



CLIP GATE BELOW INTERIOR INTERLOCK SHELF



DETAIL A SCALE 4.000

TOLERANCES: UNLESS OTHERWISE SPECIFIED DIMENSIONS ARE IN U.S. INCHES.
 X.XX = .015 X.XXXX = .001
 X.XXX = .010 X.X° = 1°

NEW AGE ENCLOSURES
 Customer's Part No: 120704X

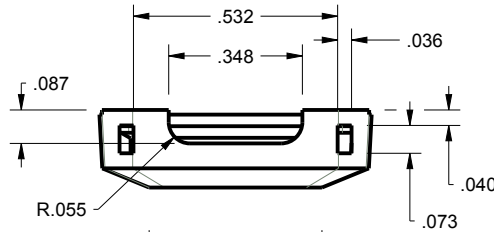
APPROVAL	BY	DATE
CHECK		
ENG.		
SCALE	AS NOTED	
DRAWN BY	M BOYER	
	2009-Jan-28	

NEW AGE ENCLOSURES
 2240 South Thornburg Street Santa Maria, CA. 93455
 ph. (805) 595-1310 fax (805) 595-1024
www.newageenclosures.com

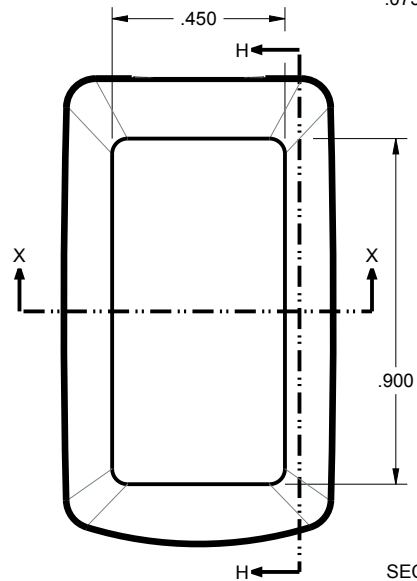
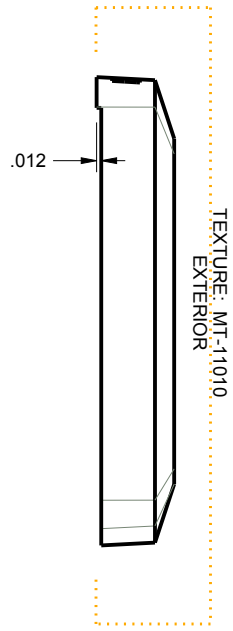
USB KEY - STANDARD
PXX-120704X-XXX

SIZE	DRAWING NAME	SHEET	REV.DOC
A	120704X_R3_0	3 OF 6	3.0

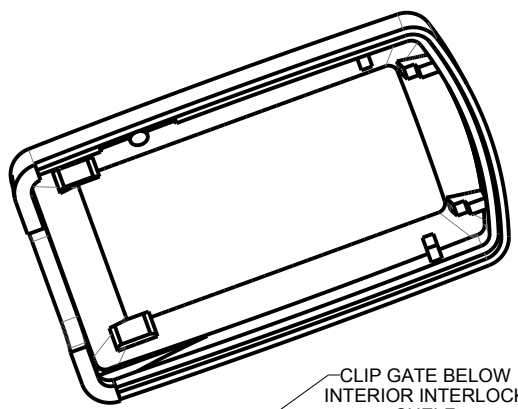
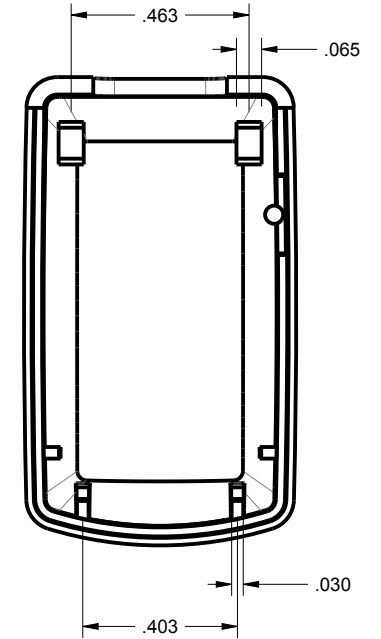
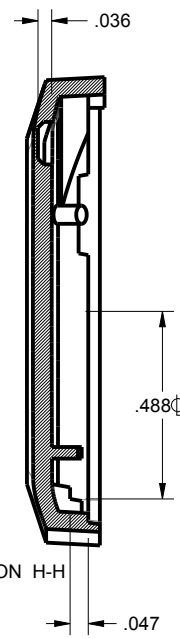
P120704X BASE



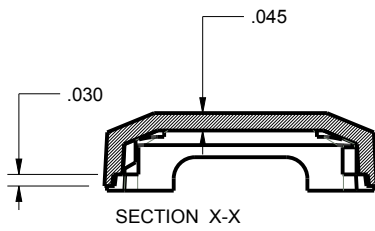
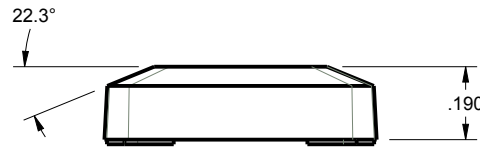
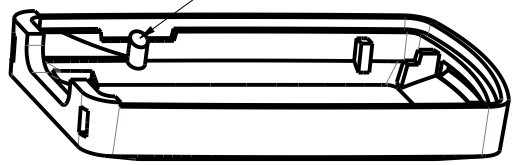
SCALE 2.000



SCALE 2.000



CLIP GATE BELOW INTERIOR INTERLOCK SHELF



SECTION X-X

TOLERANCES: UNLESS OTHERWISE SPECIFIED DIMENSIONS ARE IN U.S. INCHES.
 X.XX = .015 X.XXXX = .001
 X.XXX = .010 X.X° = 1°

NEW AGE ENCLOSURES
 Customer's Part No: 120704X

APPROVAL	BY	DATE
CHECK		
ENG.		
SCALE	AS NOTED	
DRAWN BY	M BOYER	
	2009-Jan-28	

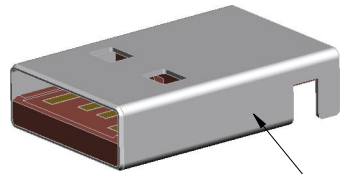
NEW AGE ENCLOSURES
 2240 South Thornburg Street Santa Maria, CA. 93455
 ph. (805) 595-1310 fax (805) 595-1024
www.newageenclosures.com

USB KEY - STANDARD
PXX-120704X-XXX

SIZE	DRAWING NAME	SHEET	REV.DOC
A	120704X_R3_0	4 OF 6	3.0

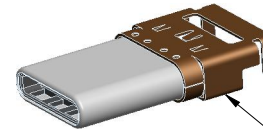
P120704X PCB - CUSTOMER SUPPLIED

PCB SIZES ARE RECOMMENDATIONS ONLY. FINAL SIZES AND VERIFICATION OF IT'S FIT ARE THE SOLE RESPONSIBILITY OF THE OEM.



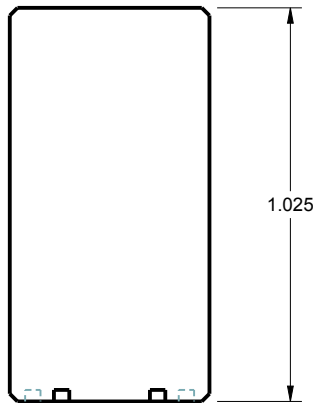
SCALE 2.000

SUGGESTED (Reference)
TYPE A USB PLUG CONNECTOR
ACON, ADVANCED CONNECTEK INC.
PN. C-UAR70-00-00
www.acon/en-global/product/detail/378

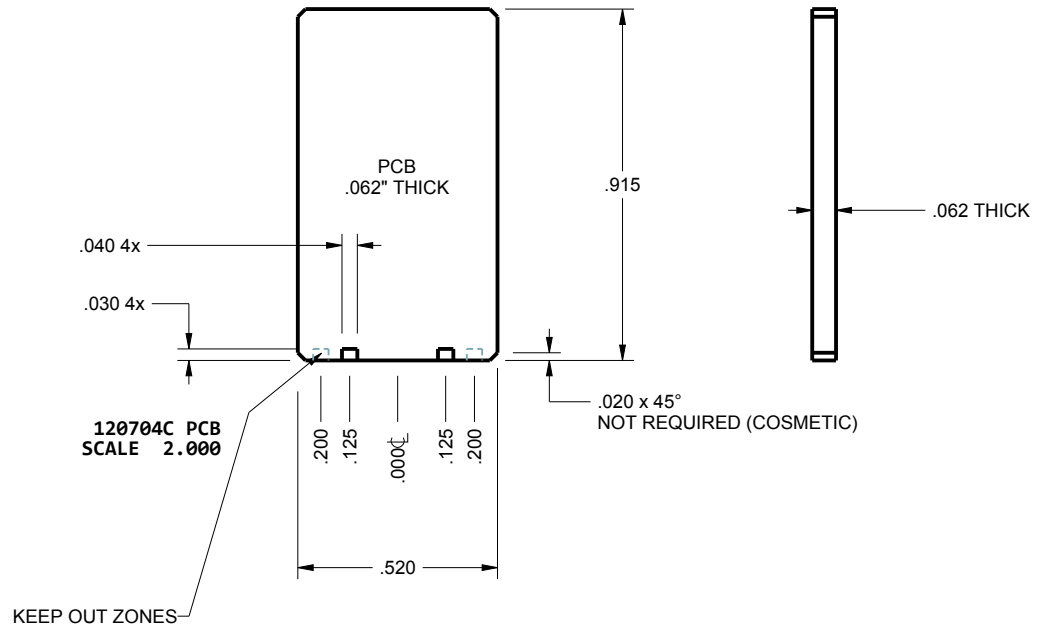


SCALE 2.000

SUGGESTED (Reference)
USB 3.2 Gen2 TYPE C PLUG CONNECTOR, HORIZONTAL, SMT
GLOBAL CONNECTOR TECHNOLOGY, LTD
www.gtc.co PN. USB4155



120704U PCB
SCALE 2.000



TOLERANCES: UNLESS OTHERWISE SPECIFIED
DIMENSIONS ARE IN U.S. INCHES.
X.XX = .015 X.XXXX = .001
X.XXX = .010 X.X° = 1°

NEW AGE ENCLOSURES
2240 South Thornburg Street Santa Maria, CA. 93455
ph. (805) 595-1310 fax (805) 595-1024

Customer's Part No: 120704X

USB KEY - STANDARD
PXX-120704X-XXX

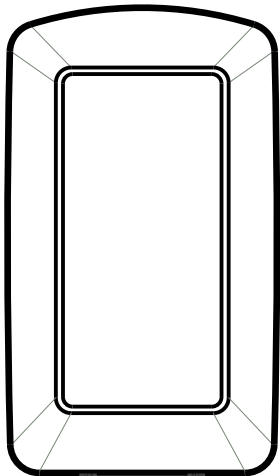
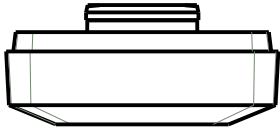
APPROVAL	BY	DATE
CHECK		
ENG.		
SCALE	AS NOTED	
DRAWN BY	2009-Jan-28	
M BOYER		

SIZE A DRAWING NAME 120704X_R3_0

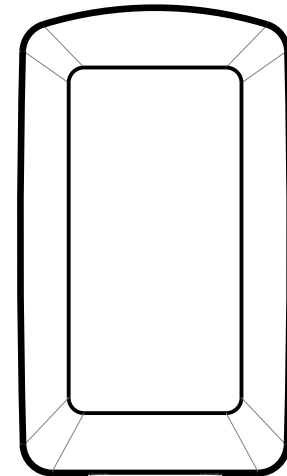
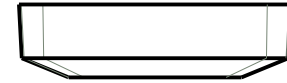
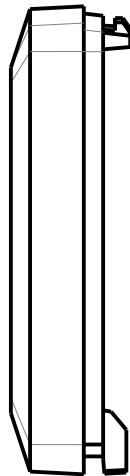
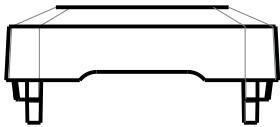
SHEET 5 OF 6 REV.DOC 3.0

120704 2nd OPERATION - SHEET 1 of 1

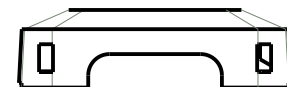
NEW AGE ENCLOSURES DELIVERS OUR OFF THE SHELF ENCLOSURES MARKET-READY TO YOUR SPECIFICATIONS WITH IN-HOUSE CNC MACHINING AND PART PRINTING. ALL SURFACES AND INTERNAL AREAS ARE AVAILABLE FOR CNC ALTERATIONS. THE INSIDE RADIUS OF MACHINED FEATURES CAN BE NO SMALLER THAN .031" AND PART DECORATING POSSIBILITIES ARE ENDLESS WITH OUR PAD-PRINTING AND DIRECT-TO-PART CAPABILITIES. REACH A NAE REPRESENTATIVE AT 855-4NA-ENCL FOR ALL OPTIONS, PRICING, AND SCHEDULING.



P120704X COVER
SCALE 2.000



P120704X BASE
SCALE 2.000



PXX-120704X-XXX COVER - ABS, BLACK

STEP	DESCRIPTION	CUTTER	FIXTURE	ORIENTATION	PROGRAM
1-C-C1	-	T2 = .062" EM	242	-	o1001
2-C-C2	-	T2 = .062" EM	242	-	o1002

TOLERANCES: UNLESS OTHERWISE SPECIFIED
DIMENSIONS ARE IN U.S. INCHES.
X.XX = .015 X.XXXX = .001
X.XXX = .010 X.X° = 1°

NEW AGE ENCLOSURES

Customer's Part No: 120704X

APPROVAL	BY	DATE
CHECK		
ENG.		
SCALE	AS NOTED	
DRAWN BY	M BOYER	
	2009-Jan-28	

NEW AGE ENCLOSURES

2240 South Thornburg Street Santa Maria, CA. 93455
ph. (805) 595-1310 fax (805) 595-1024

www.newageenclosures.com

**USB KEY - STANDARD
PXX-120704X-XXX**

SIZE	DRAWING NAME	SHEET	REV.DOC
A	120704X_R3_0	6 OF 6	3.0