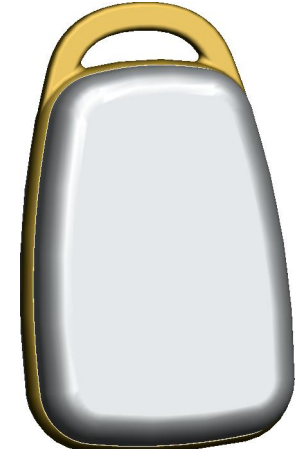
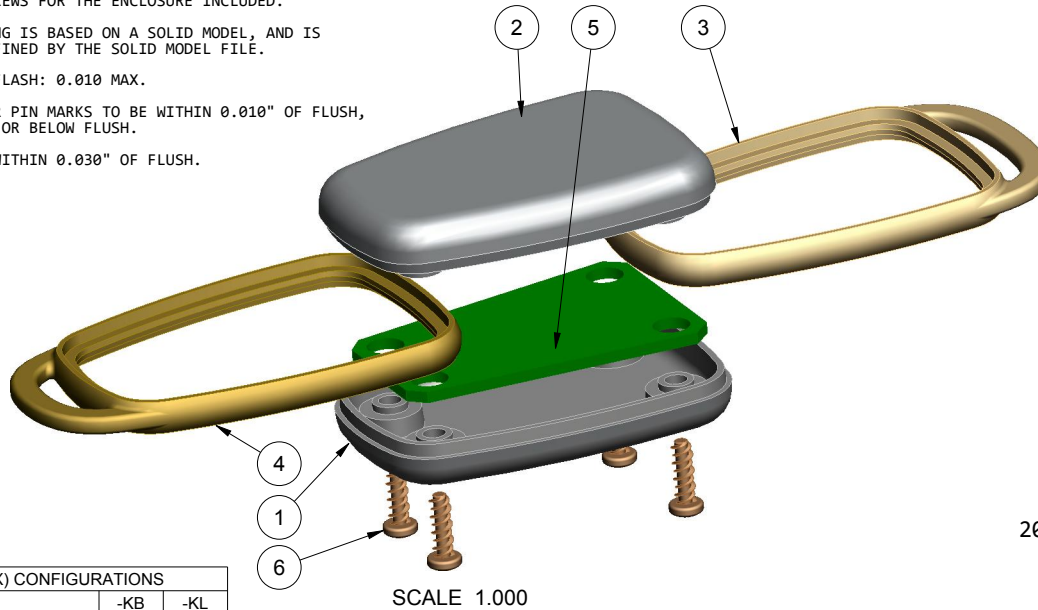


NOTES: UNLESS OTHERWISE SPECIFIED

- CORNERS DRAWN SHARP TO BE R.005 MAXIMUM.
- EXTERIOR SURFACE TEXTURE TO BE EQUIVALENT TO MT-11010. TEXTURE ON ENCLOSURE WILL VARY FROM TIME TO TIME AS THE TOOL WEARS AND IT BECOMES NECESSARY TO REAPPLY.
- INTERIOR SURFACE TEXTURE TO BE: NONE.
- ALL INSIDE RADII .010R. UNLESS OTHERWISE SPECIFIED.
- ALL EXTERNAL DIMENSIONS AFFECTED BY THE DRAFT APPLY AT THE LARGE END OF THE FEATURE, AND ALL INTERNAL FEATURES AFFECTED BY THE DRAFT APPLY AT THE SMALL END OF THE FEATURE UNLESS OTHERWISE SPECIFIED.
- ONE DEGREE DRAFT IN THE DIRECTION OF PULL IS PERMISSIBLE UNLESS OTHERWISE SPECIFIED.
- MATERIAL / COLOR: ABS PLASTIC IS STANDARD IN BLACK OR WHITE. CUSTOM MATERIALS AND COLORS ARE AVAILABLE UPON REQUEST FOR QUOTE. ALTERNATE RESINS HAVE DIFFERENT SHRINK RATES, AND WILL EFFECT DIMENSIONS.
- PCB SIZES ARE RECOMMENDATIONS ONLY. FINAL SIZES AND VERIFICATION OF ITS FIT ARE THE SOLE RESPONSIBILITY OF EACH CUSTOMER.
- ASSEMBLY SCREWS FOR THE ENCLOSURE INCLUDED.
- THIS DRAWING IS BASED ON A SOLID MODEL, AND IS FURTHER DEFINED BY THE SOLID MODEL FILE.
- ALLOWABLE FLASH: 0.010 MAX.
- ALL EJECTOR PIN MARKS TO BE WITHIN 0.010" OF FLUSH, PROTRUDING OR BELOW FLUSH.
- TRIM GATE WITHIN 0.030" OF FLUSH.

R E V I S I O N					
REV.	DRAWN BY	ECO No	DESCRIPTION	DATE	APPROVE
A	M BOYER	DR2401	PRELIMINARY RELEASE	2024-Apr-17	J.T.
B	M BOYER		ADD SHOULDER FOR PCB LOCATION	2024-Apr-23	J.T.
C	M BOYER		CHAMFER STYLE	2024-Apr-24	J.T.
D	M BOYER		BACK TO TEARDROP STYLE	2024-Apr-30	J.T.
E	M BOYER		INCLUDE OPTIONAL KEY RING ENDS	2024-Jun-05	



201406 (XX) CONFIGURATIONS		
	-KB	-KL
201406 COVER	1	1
201406 BIG RING	1	
201406 LITTLE RING		1
201406 BASE	1	1
#4 HiLo SCREW .375"	4	4

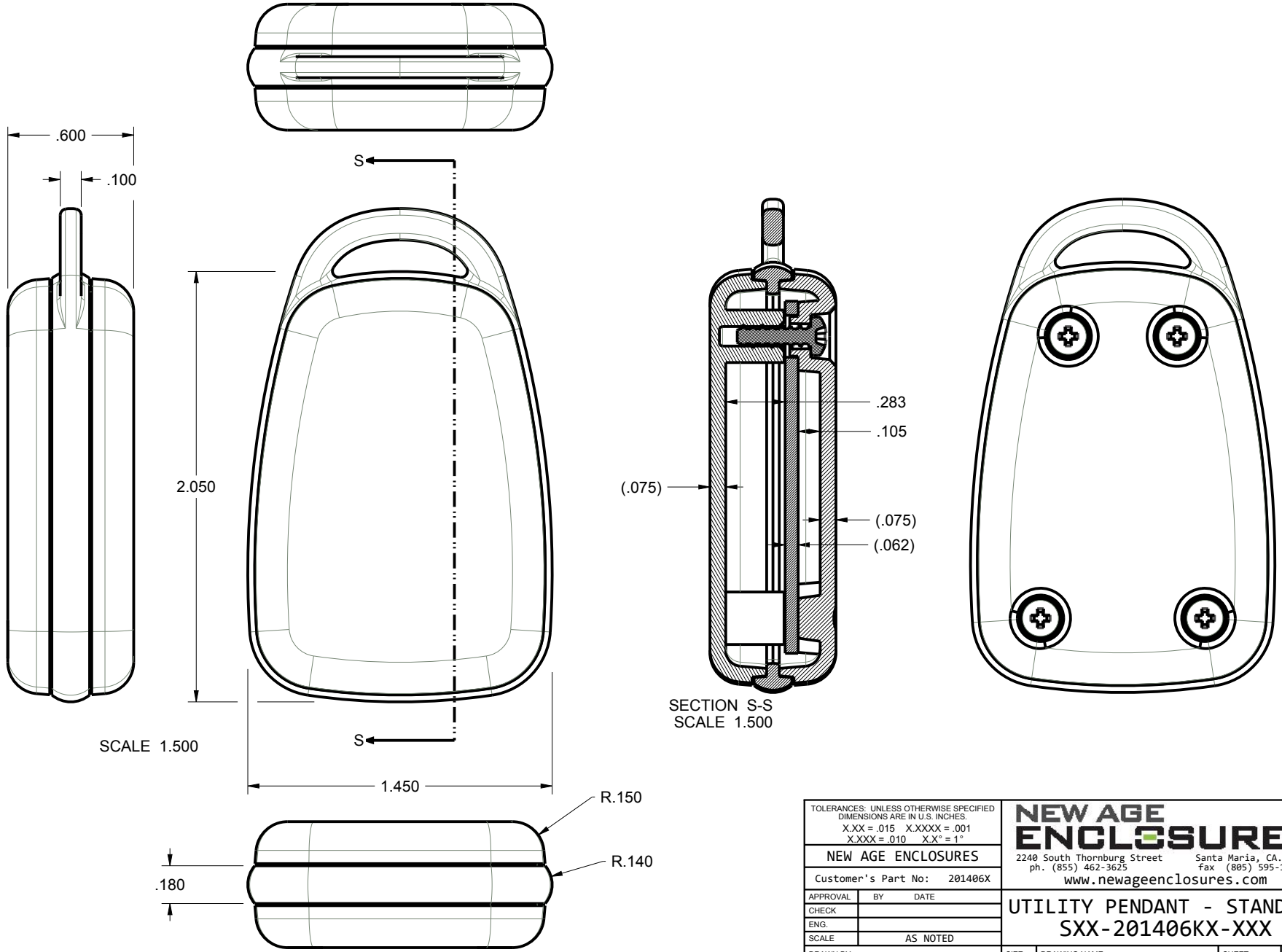
ITEM	FILE NAME	DESCRIPTION	MATERIAL	COLOR	QTY.
6	SCREW_HILO-NO4X375	#4 HiLo x .375" SCREW	ZINC PLATED	INCLUDED	4
5	201406-PCB	201406 PCB - REFERENCE ONLY	.062" THICK	CUSTOMER SUPPLIED	1
4	201406-MIDDLE-SMALL	201406KS MIDDLE RING - STANDARD	ABS	BLACK or WHITE	1
3	201406-MIDDLE-BIG	201406KB MIDDLE RING - STANDARD	ABS	BLACK or WHITE	1
2	201406-COVER	201406 COVER - STANDARD	ABS	BLACK or WHITE	1
1	201406-BASE	201406 BASE - STANDARD	ABS	BLACK or WHITE	1

BILL OF MATERIALS

THIRD ANGLE PROJECTION DO NOT SCALE DRAWING	TOLERANCES: UNLESS OTHERWISE SPECIFIED DIMENSIONS ARE IN U.S. INCHES. X.XX = .015 X.XXXX = .001 X.XXX = .010 X.X" = 1°	NEW AGE ENCLOSURES 2240 South Thornburg Street Santa Maria, CA. 93455 ph. (855) 462-3625 fax (805) 595-1024 www.newageenclosures.com
	Customer's Part No: 201406X	
APPROVAL BY DATE CHECK _____ ENG. _____ SCALE AS NOTED	DRAWN BY M BOYER DATE 2024-Jun-05 SIZE A DRAWING NAME 201406_RE	SHEET 1 OF 7 REV.DOC E

9	201406-SKELETON	-	ABS	-
---	-----------------	---	-----	---

201406 ASSEMBLY

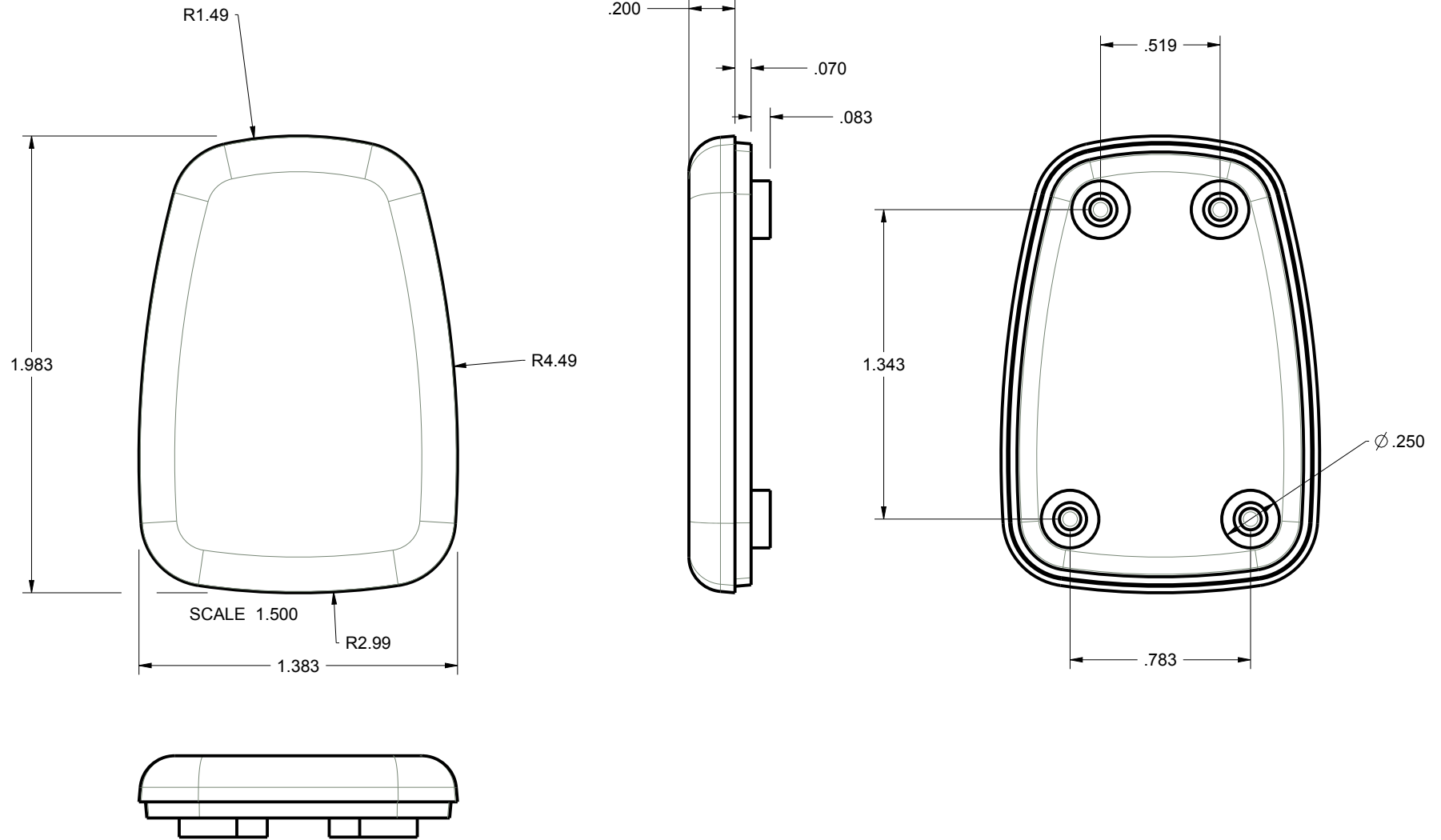


SECTION S-S
SCALE 1.500

SCALE 1.500

TOLERANCES: UNLESS OTHERWISE SPECIFIED DIMENSIONS ARE IN U.S. INCHES. X.XX = .015 X.XXXX = .001 X.XXX = .010 X.X° = 1°		NEW AGE ENCLOSURES	
NEW AGE ENCLOSURES		2240 South Thornburg Street Santa Maria, CA. 93455 ph. (855) 462-3625 fax (805) 595-1024 www.newageenclosures.com	
Customer's Part No: 201406X			
APPROVAL	BY	DATE	
CHECK			
ENG.			
SCALE	AS NOTED		
DRAWN BY	SIZE	DRAWING NAME	SHEET
M BOYER	2024-Jun-05	A 201406_RE	2 OF 7
UTILTY PENDANT - STANDARD SXX-201406KX-XXX			REV.DOC E

201406 COVER



TOLERANCES: UNLESS OTHERWISE SPECIFIED
DIMENSIONS ARE IN U.S. INCHES.
X.XX = .015 X.XXXX = .001
X.XXX = .010 X.X° = 1°

NEW AGE ENCLOSURES
Customer's Part No: 201406X

APPROVAL	BY	DATE
CHECK		
ENG.		
SCALE	AS NOTED	

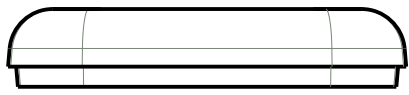
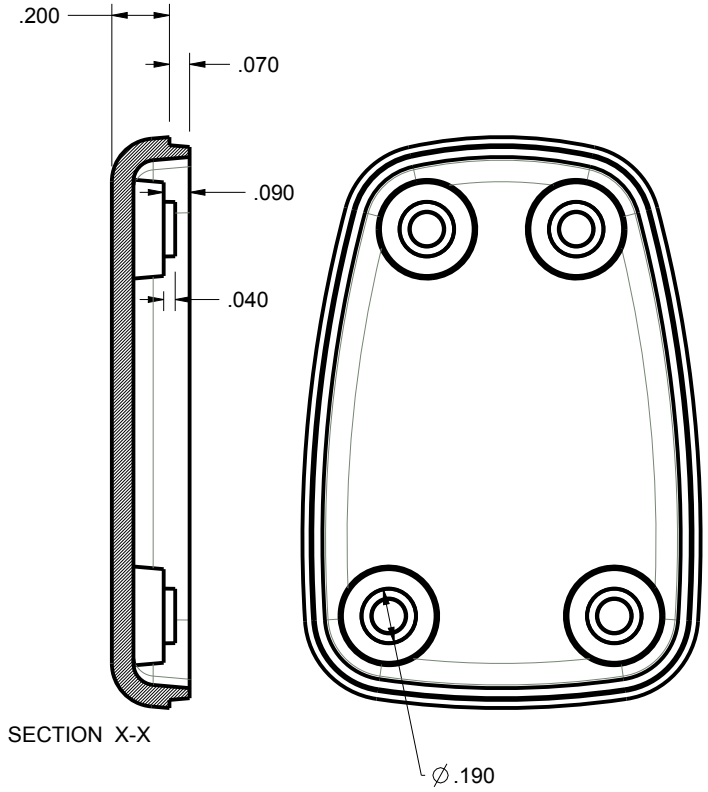
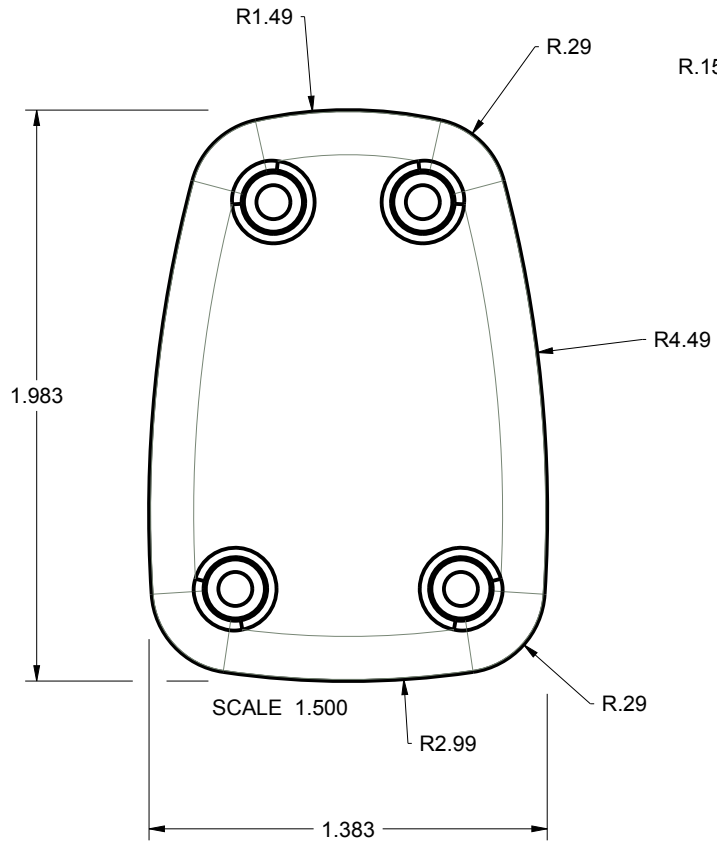
DRAWN BY
M BOYER 2024-Jun-05

NEW AGE ENCLOSURES
2240 South Thornburg Street Santa Maria, CA. 93455
ph. (855) 462-3625 fax (805) 595-1024
www.newageenclosures.com

**UTILITY PENDANT - STANDARD
SXX-201406KX-XXX**

SIZE A	DRAWING NAME 201406_RE	SHEET 3 OF 7	REV.DOC E
-----------	---------------------------	-----------------	--------------

201406 BASE



TOLERANCES: UNLESS OTHERWISE SPECIFIED
DIMENSIONS ARE IN U.S. INCHES.
X.XX = .015 X.XXXX = .001
X.XXX = .010 X.X° = 1°

NEW AGE ENCLOSURES
Customer's Part No: 201406X

APPROVAL	BY	DATE
CHECK		
ENG.		
SCALE	AS NOTED	

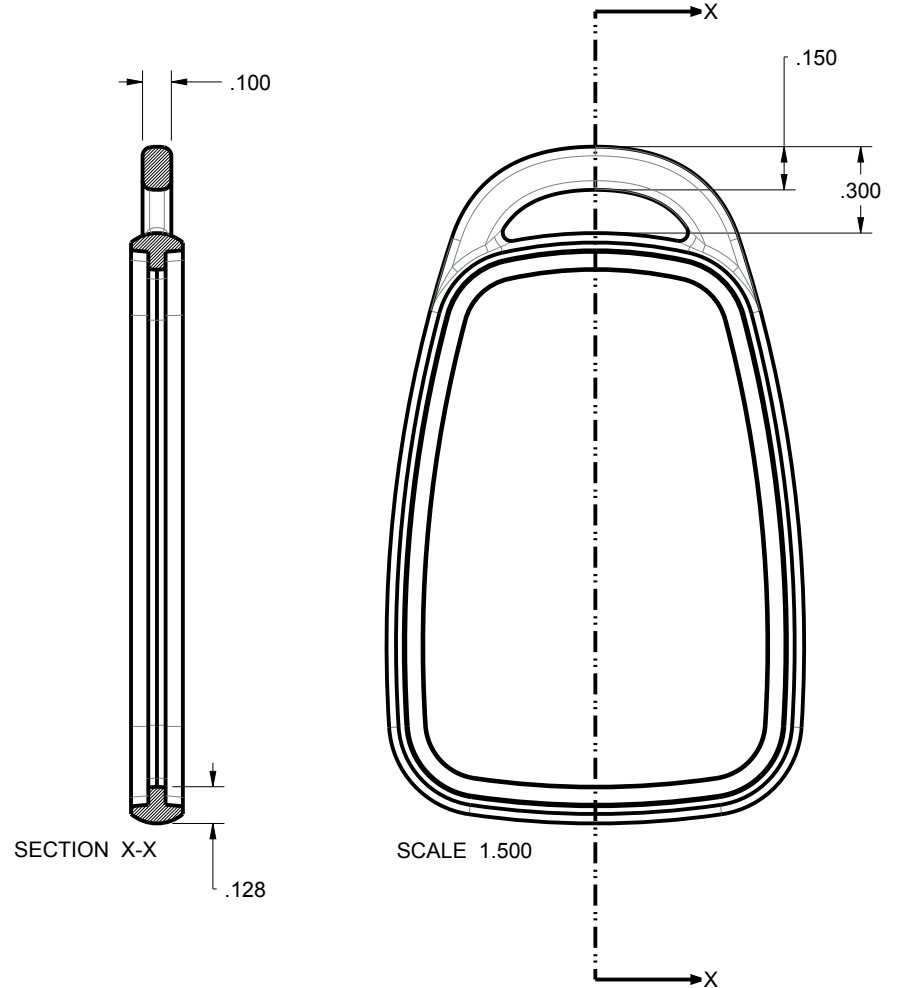
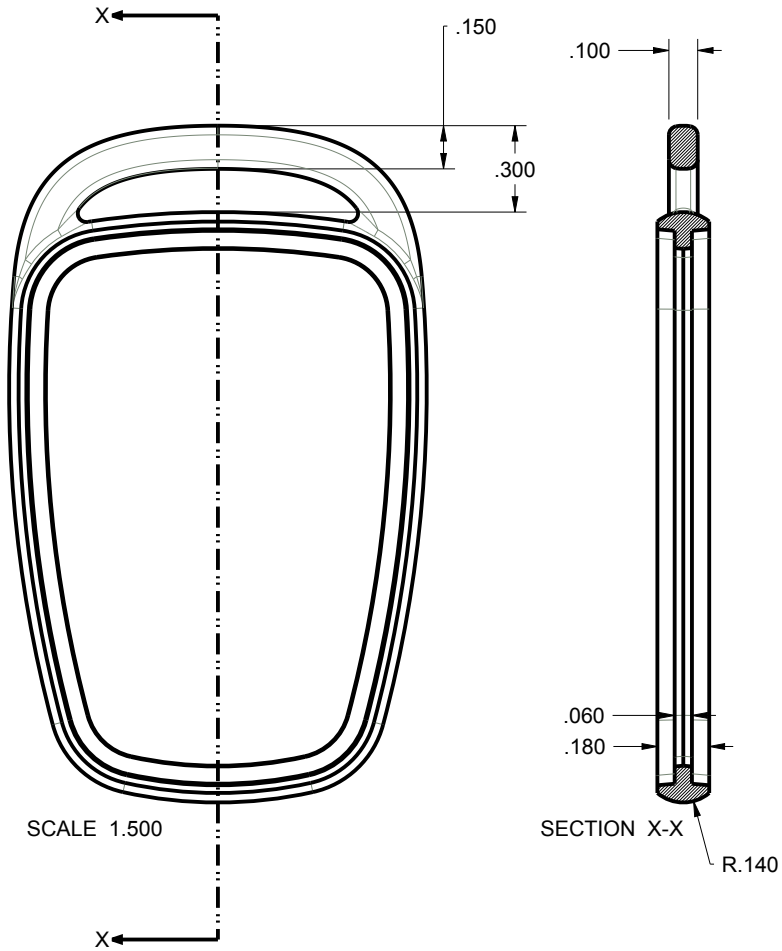
DRAWN BY
M BOYER 2024-Jun-05

NEW AGE ENCLOSURES
2240 South Thornburg Street Santa Maria, CA. 93455
ph. (855) 462-3625 fax (805) 595-1024
www.newageenclosures.com

UTILITY PENDANT - STANDARD
SXX-201406KX-XXX

SIZE A	DRAWING NAME 201406_RE	SHEET 4 OF 7	REV.DOC E
-----------	---------------------------	-----------------	--------------

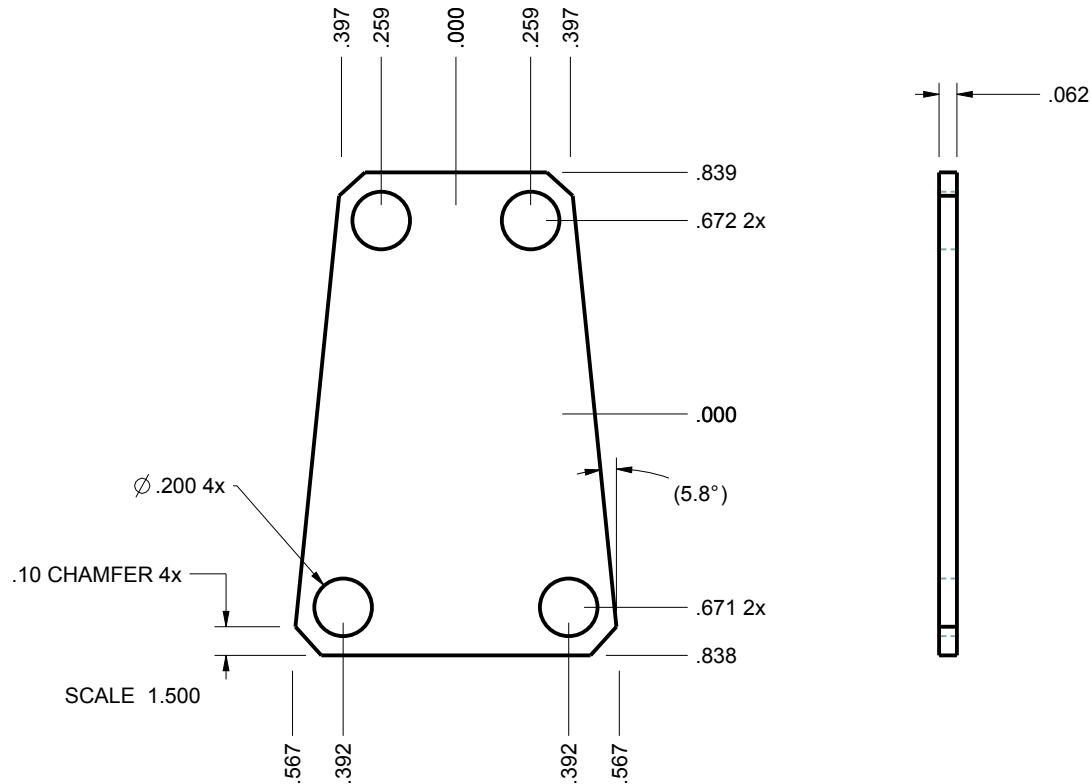
201406 KEY RINGS



TOLERANCES: UNLESS OTHERWISE SPECIFIED DIMENSIONS ARE IN U.S. INCHES.		NEW AGE ENCLOSURES	
X.XX = .015 X.XXXX = .001		2240 South Thornburg Street Santa Maria, CA. 93455	
X.XXX = .010 X.X° = 1°		ph. (855) 462-3625 fax (805) 595-1024	
Customer's Part No: 201406X		www.newageenclosures.com	
APPROVAL	BY	DATE	UTILITY PENDANT - STANDARD SXX-201406KX-XXX
CHECK			
ENG.			
SCALE	AS NOTED		
DRAWN BY	2024-Jun-05	SIZE	DRAWING NAME
M BOYER		A	201406_RE
		SHEET	REV.DOC
		5 OF 7	E

201406 PCB - CUSTOMER SUPPLIED

PCB SIZES ARE RECOMMENDATIONS ONLY. FINAL SIZES AND VERIFICATION OF ITS FIT ARE THE SOLE RESPONSIBILITY OF THE OEM.



TOLERANCES: UNLESS OTHERWISE SPECIFIED DIMENSIONS ARE IN U.S. INCHES.	
X.XX = .015 X.XXXX = .001	
X.XXX = .010 X.X° = 1°	
NEW AGE ENCLOSURES	
Customer's Part No: 201406X	
APPROVAL	BY DATE
CHECK	
ENG.	
SCALE	AS NOTED
DRAWN BY	2024-Jun-05
M BOYER	

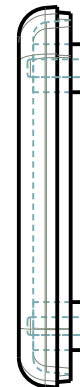
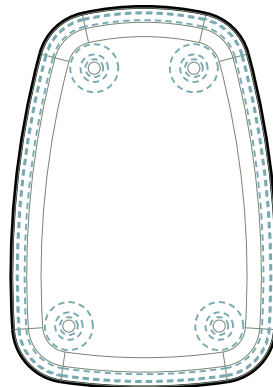
NEW AGE ENCLOSURES
 2240 South Thornburg Street Santa Maria, CA. 93455
 ph. (855) 462-3625 fax (805) 595-1024
www.newageenclosures.com

**UTILITY PENDANT - STANDARD
 SXX-201406KX-XXX**

SIZE	DRAWING NAME	SHEET	REV.DOC
A	201406_RE	6 OF 7	E

201406 2nd OPERATION DETAILS - SHEET 1 of 1

NEW AGE ENCLOSURES DELIVERS OUR OFF THE SHELF ENCLOSURES MARKET-READY TO YOUR SPECIFICATIONS WITH IN-HOUSE CNC MACHINING AND PART PRINTING. ALL SURFACES AND INTERNAL AREAS ARE AVAILABLE FOR CNC ALTERATIONS. THE INSIDE RADIUS OF MACHINED FEATURES CAN BE NO SMALLER THAN .031" AND PART DECORATING POSSIBILITIES ARE ENDLESS WITH OUR PAD-PRINTING AND DIRECT-TO-PART CAPABILITIES. REACH A NAE REPRESENTATIVE AT 855-4NA-ENCL FOR ALL OPTIONS, PRICING, AND SCHEDULING.



201406 COVER
SCALE 1.000

TOLERANCES: UNLESS OTHERWISE SPECIFIED
DIMENSIONS ARE IN U.S. INCHES.
X.XX = .015 X.XXXX = .001
X.XXX = .010 X.X° = 1°

NEW AGE ENCLOSURES

Customer's Part No: 201406X

APPROVAL	BY	DATE
CHECK		
ENG.		
SCALE	AS NOTED	
DRAWN BY	M BOYER	
	2024-Jun-05	

NEW AGE ENCLOSURES

2240 South Thornburg Street Santa Maria, CA. 93455
ph. (855) 462-3625 fax (805) 595-1024
www.newageenclosures.com

UTILITY PENDANT - STANDARD
SXX-201406KX-XXX

SXX-201406KX-XXX COVER - ABS, BLACK						SIZE	DRAWING NAME	SHEET	REV.DOC
STEP	DESCRIPTION	CUTTER	FIXTURE	ORIENTATION	PROGRAM				
1-C-C1	-	T2 = .062" EM	-	-	o1001	A	201406_RE	7 OF 7	E
2-C-C2	-	T2 = .062" EM	-	-	o1002				