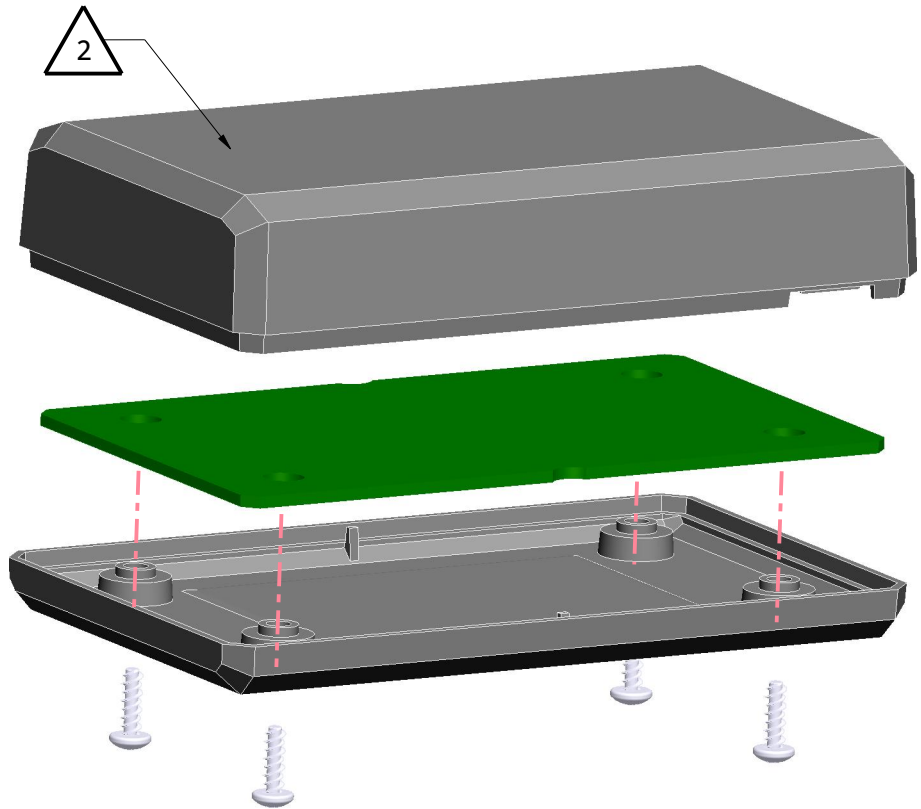


R E V I S I O N


NOTES: UNLESS OTHERWISE SPECIFIED

1. CORNERS DRAWN SHARP TO BE R.005 MAXIMUM.
2. EXTERIOR SURFACE TEXTURE TO BE EQUIVALENT TO MT-11020. TEXTURE ON ENCLOSURE WILL VARY FROM TIME TO TIME AS THE TOOL WEARS AND IT BECOMES NECESSARY TO REAPPLY.
3. INTERIOR SURFACE TEXTURE TO BE: NONE.
4. ALL INSIDE RADII .010R. UNLESS OTHERWISE SPECIFIED.
5. ALL EXTERNAL DIMENSIONS AFFECTED BY THE DRAFT APPLY AT THE LARGE END OF THE FEATURE, AND ALL INTERNAL FEATURES AFFECTED BY THE DRAFT APPLY AT THE SMALL END OF THE FEATURE UNLESS OTHERWISE SPECIFIED.
6. ONE DEGREE DRAFT IN THE DIRECTION OF PULL IS PERMISSIBLE UNLESS OTHERWISE SPECIFIED.
7. MATERIAL / COLOR: ASA PLASTIC IS STANDARD IN BLACK OR GRAY. CUSTOM MATERIALS AND COLORS ARE AVAILABLE UPON REQUEST FOR QUOTE. ALTERNATE RESINS HAVE DIFFERENT SHRINK RATES, AND WILL EFFECT DIMENSIONS.
8. PCB SIZES ARE RECOMMENDATIONS ONLY. FINAL SIZES AND VERIFICATION OF ITS FIT ARE THE SOLE RESPONSIBILITY OF EACH CUSTOMER.
9. ASSEMBLY SCREWS FOR THE ENCLOSURE INCLUDED.
10. THIS DRAWING IS BASED ON A SOLID MODEL, AND IS FURTHER DEFINED BY THE SOLID MODEL FILE.
11. ALLOWABLE FLASH: 0.010 MAX.
12. ALL EJECTOR PIN MARKS TO BE WITHIN 0.010" OF FLUSH, PROTRUDING OR BELOW FLUSH.
13. TRIM GATE WITHIN 0.030" OF FLUSH.

REV.	DRAWN BY	ECO No	DESCRIPTION	DATE	APPROVE
A	M BOYER	DR1622	PRELIMINARY RELEASE	2023-Nov-01	D.C.
B	M BOYER		SMALLER CHAMFER AND REMOVE LABEL RECESS	2023-Nov-08	D.C.
C	M BOYER		CHANGE NAME	2023-Nov-13	D.C.
D	M BOYER		ADJUST ASSY POSTS	2024-Jan-22	D.C.
E	M BOYER		ADD LABEL RECESS TO BASE	2024-Apr-08	D.C.
F	M BOYER		CLARIFY TEXTURE	2024-Jun-17	



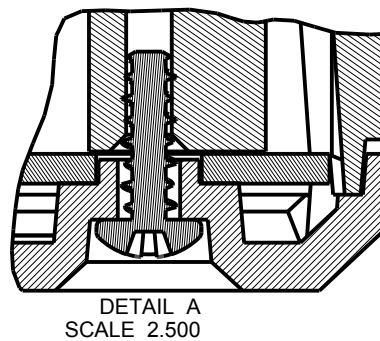
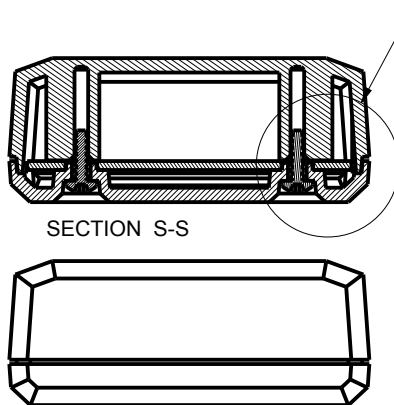
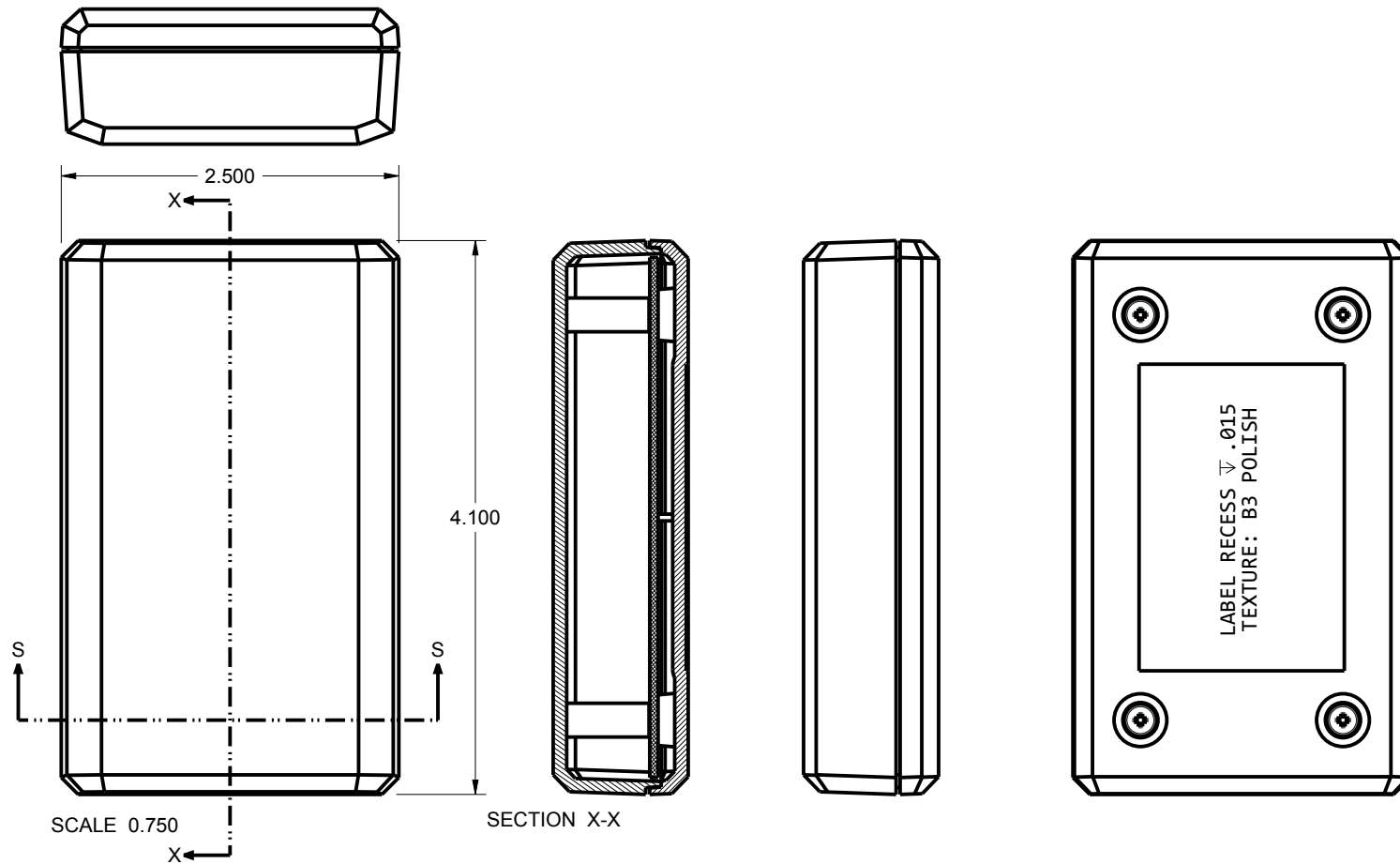
SCALE 1.000

THIRD ANGLE PROJECTION  DO NOT SCALE DRAWING	TOLERANCES: UNLESS OTHERWISE SPECIFIED DIMENSIONS ARE IN U.S. INCHES. X.XX = .015 X.XXXX = .001 X.XXX = .010 X.X° = 1°		NEW AGE ENCLOSURES 2240 South Thornburg Street Santa Maria, CA. 93455 ph. (855) 462-3625 fax (805) 595-1024 www.newageenclosures.com	
	NEW AGE ENCLOSURES Customer's Part No: 412510			
APPROVAL BY DATE CHECK _____ ENG. _____ SCALE AS NOTED		STANDARD - MEDIUM PROJECT SXX-412510-XXX		
DRAWN BY M BOYER 2023-Nov-01		SIZE A DRAWING NAME 412510_RF	SHEET 1 OF 6 REV.DOC F	

NOTICE: THE INFORMATION AND DATA CONTAINED HEREIN IS CONSIDERED PROPRIETARY TO ALLTEC INTEGRATED MFG INC & SHALL REMAIN THE EXCLUSIVE PROPERTY OF ALLTEC INTEGRATED MFG INC. THE HOLDER WILL ASSUME CUSTODY AND CONTROL THAT THIS DOCUMENT WILL NOT BE COPIED, REPRODUCED, OR DISCLOSED WITHOUT THE EXPRESS WRITTEN CONSENT OF ALLTEC INTEGRATED MFG INC. POSSESSION OF THIS DOCUMENT DOES NOT CONSTITUTE A GRANT TO MANUFACTURE ANY ITEMS.
© 2024

ITEM	FILE NAME	DESCRIPTION	MATERIAL	COLOR	QTY.
4	SCREW_HILO-N04	#4 HiLo SCREW x .375"	ZINK PLATED	CUSTOMER SUPPLIED	4
3	412510-PCB	412510 PCB - REFERENCE	.062" THICK	CUSTOMER SUPPLIED	1
2	412510-COVER	412510 COVER - STANDARD	ABS	BLACK or GRAY	1
1	412510-BASE	412510 BASE - STANDARD	ABS	BLACK or GRAY	1
BILL OF MATERIALS					

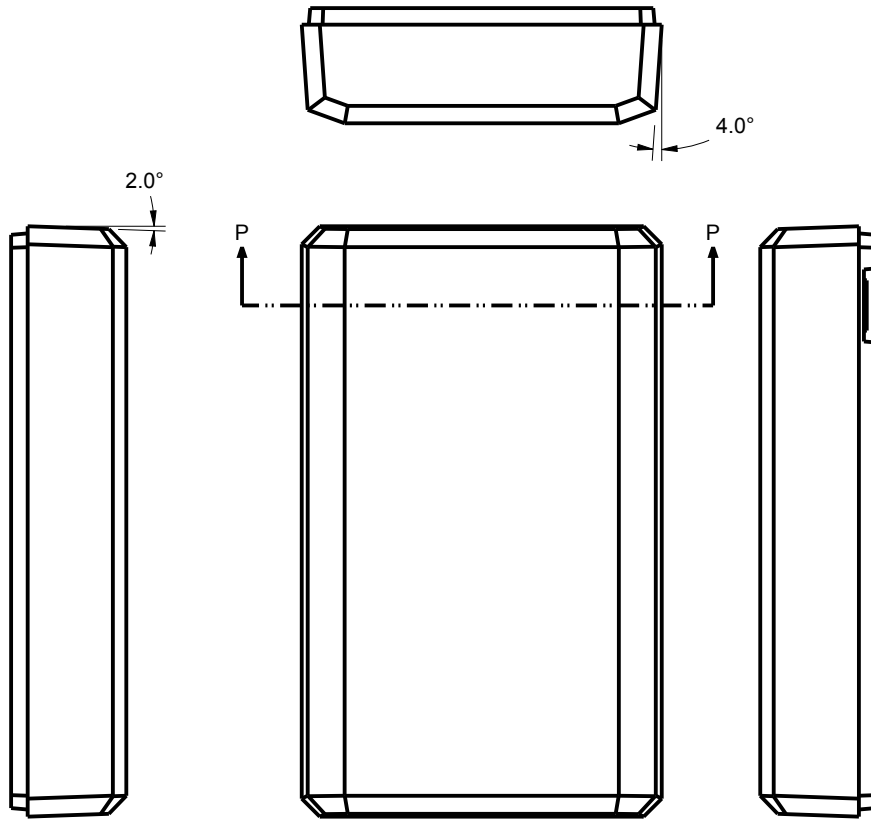
412510 ASSEMBLY



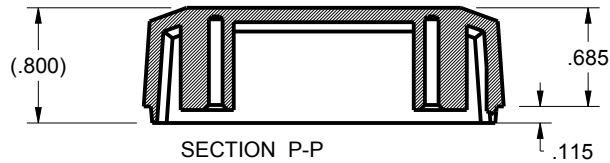
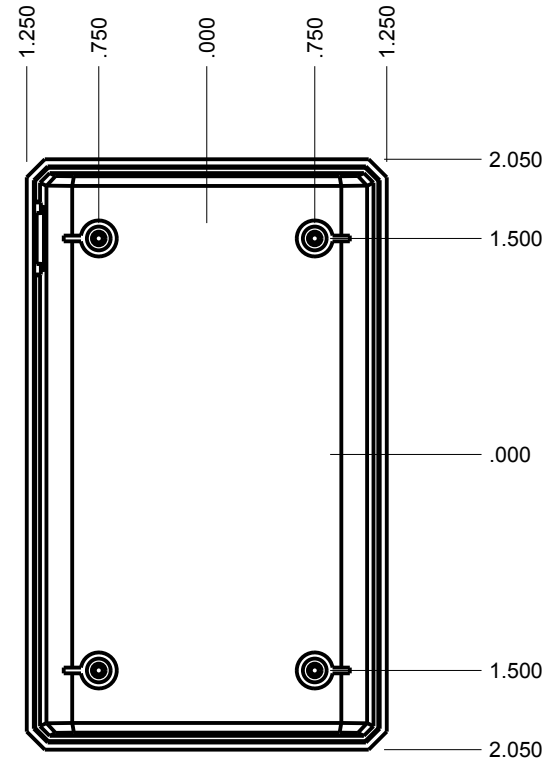
TOLERANCES: UNLESS OTHERWISE SPECIFIED DIMENSIONS ARE IN U.S. INCHES.	
X.XX = .015	X.XXXX = .001
X.XXX = .010	X.X° = 1°
NEW AGE ENCLOSURES	
Customer's Part No: 412510	
APPROVAL	BY DATE
CHECK	
ENG.	
SCALE	AS NOTED
DRAWN BY	SIZE
M BOYER	2023-Nov-01

NEW AGE ENCLOSURES	
2240 South Thornburg Street ph. (855) 462-3625	Santa Maria, CA. 93455 fax (805) 595-1024
www.newageenclosures.com	
STANDARD - MEDIUM PROJECT	
SXX-412510-XXX	
DRAWING NAME	SHEET
412510_RF	2 OF 6
REV.DOC	F

412510 COVER



SCALE 0.750



SECTION P-P

TOLERANCES - UNLESS OTHERWISE SPECIFIED
DIMENSIONS ARE IN U.S. INCHES.
X.XX = .015 X.XXXX = .001
X.XXX = .010 X.X° = 1°

NEW AGE ENCLOSURES
Customer's Part No: 412510

APPROVAL BY DATE

CHECK

ENG.

SCALE AS NOTED

DRAWN BY M BOYER 2023-Nov-01

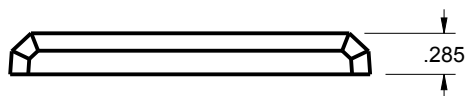
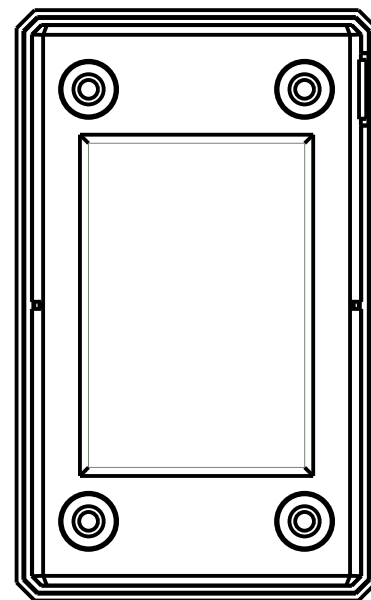
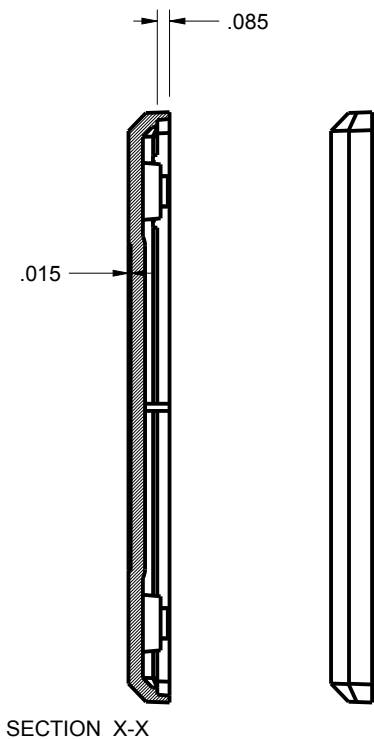
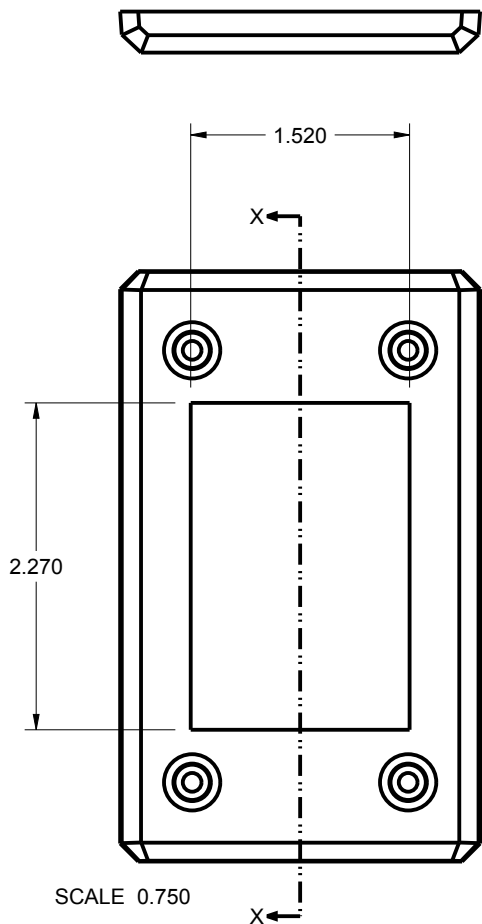
NEW AGE ENCLOSURES

2240 South Thornburg Street Santa Maria, CA. 93455
ph. (855) 462-3625 fax (805) 595-1024
www.newageenclosures.com

STANDARD - MEDIUM PROJECT
SXX-412510-XXX

SIZE A DRAWING NAME 412510_RF SHEET 3 OF 6 REV.DOC F

412510 BASE



TOLERANCES: UNLESS OTHERWISE SPECIFIED
DIMENSIONS ARE IN U.S. INCHES.
X.XX = .015 X.XXXX = .001
X.XXX = .010 X.X° = 1°

NEW AGE ENCLOSURES

Customer's Part No: 412510

APPROVAL	BY	DATE
CHECK		
ENG.		
SCALE	AS NOTED	
DRAWN BY	M BOYER	
	2023-Nov-01	

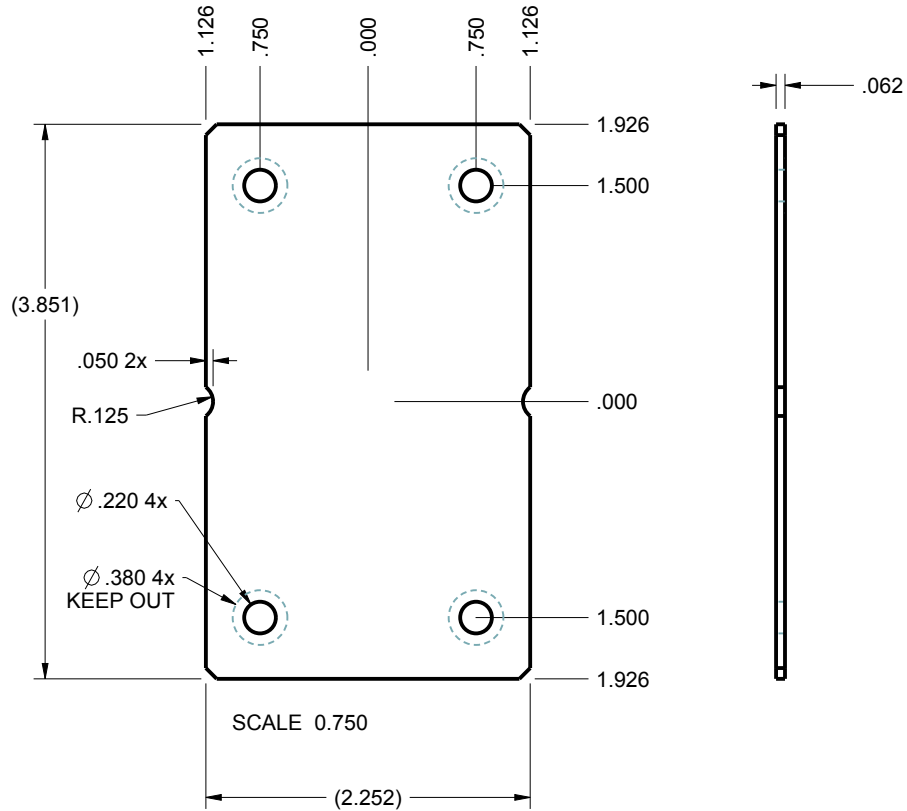
NEW AGE ENCLOSURES
 2240 South Thornburg Street Santa Maria, CA. 93455
 ph. (855) 462-3625 fax (805) 595-1024
www.newageenclosures.com

STANDARD - MEDIUM PROJECT
 SXX-412510-XXX

SIZE	DRAWING NAME	SHEET	REV.DOC
A	412510_RF	4 OF 6	F

412510 PCB - CUSTOMER SUPPLIED

PCB SIZES ARE RECOMMENDATIONS ONLY. FINAL SIZES AND VERIFICATION OF ITS FIT ARE THE SOLE RESPONSIBILITY OF THE OEM.



TOLERANCES: UNLESS OTHERWISE SPECIFIED DIMENSIONS ARE IN U.S. INCHES.	
X.XX = .015 X.XXXX = .001	
X.XXX = .010 X.X° = 1°	
NEW AGE ENCLOSURES	
Customer's Part No: 412510	
APPROVAL	BY DATE
CHECK	
ENG.	
SCALE	AS NOTED
DRAWN BY	SIZE DRAWING NAME
M BOYER	A 412510_RF

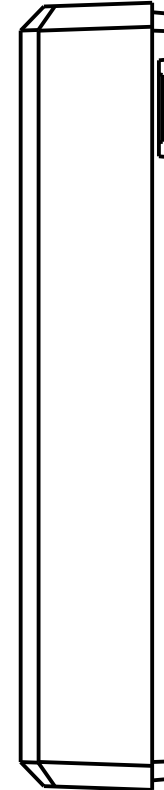
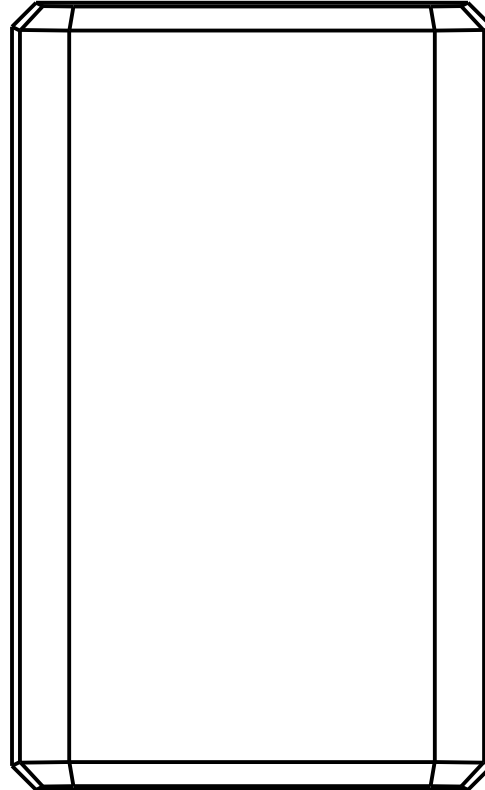
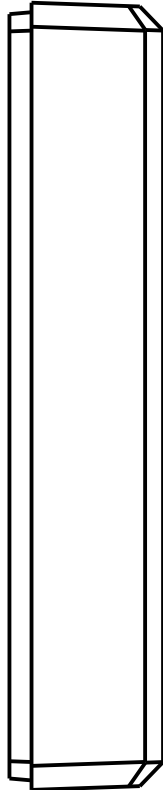
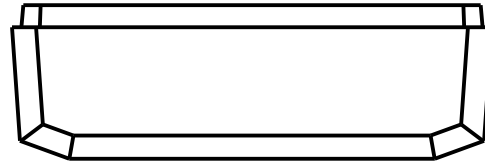
NEW AGE ENCLOSURES
 2240 South Thornburg Street Santa Maria, CA. 93455
 ph. (855) 462-3625 fax (805) 595-1024
www.newageenclosures.com

STANDARD - MEDIUM PROJECT
 SXX-412510-XXX

SHEET	REV.DOC
5 OF 6	F

412510 2nd OPERATION

NEW AGE ENCLOSURES DELIVERS YOUR ENCLOSURE MARKET-READY WITH IN-HOUSE CNC MACHINING, PAD PRINTING, ASSEMBLY, AND FULFILLMENT. ALL SURFACES AND AREAS ARE AVAILABLE FOR CNC ALTERATION BY NEW AGE ENCLOSURES CALL (855) 462-3625 FOR PRICING AND SCHEDULE. THE INSIDE RADIUS OF ANY MACHINED FEATURES SHOULD BE NO SMALLER THAN .031"



SCALE 1.000

TOLERANCES: UNLESS OTHERWISE SPECIFIED DIMENSIONS ARE IN U.S. INCHES.
 X.XX = .015 X.XXXX = .001
 X.XXX = .010 X.X° = 1°

NEW AGE ENCLOSURES

Customer's Part No: 412510

NEW AGE ENCLOSURES

2240 South Thornburg Street Santa Maria, CA. 93455
 ph. (855) 462-3625 fax (805) 595-1024

www.newageenclosures.com

STANDARD - MEDIUM PROJECT
 SXX-412510-XXX

SXX-412510-XXX COVER - ABS, BLACK					
STEP	DESCRIPTION	CUTTER	FIXTURE	ORIENTATION	PROGRAM
1-C-C1	-	T2 = .062" EM	-	-	o1001
2-C-C2	-	T2 = .062" EM	-	-	o1002

APPROVAL	BY	DATE
CHECK		
ENG.		
SCALE	AS NOTED	
DRAWN BY	M BOYER	
	2023-Nov-01	

SIZE	DRAWING NAME	SHEET	REV.DOC
A	412510_RF	6 OF 6	F