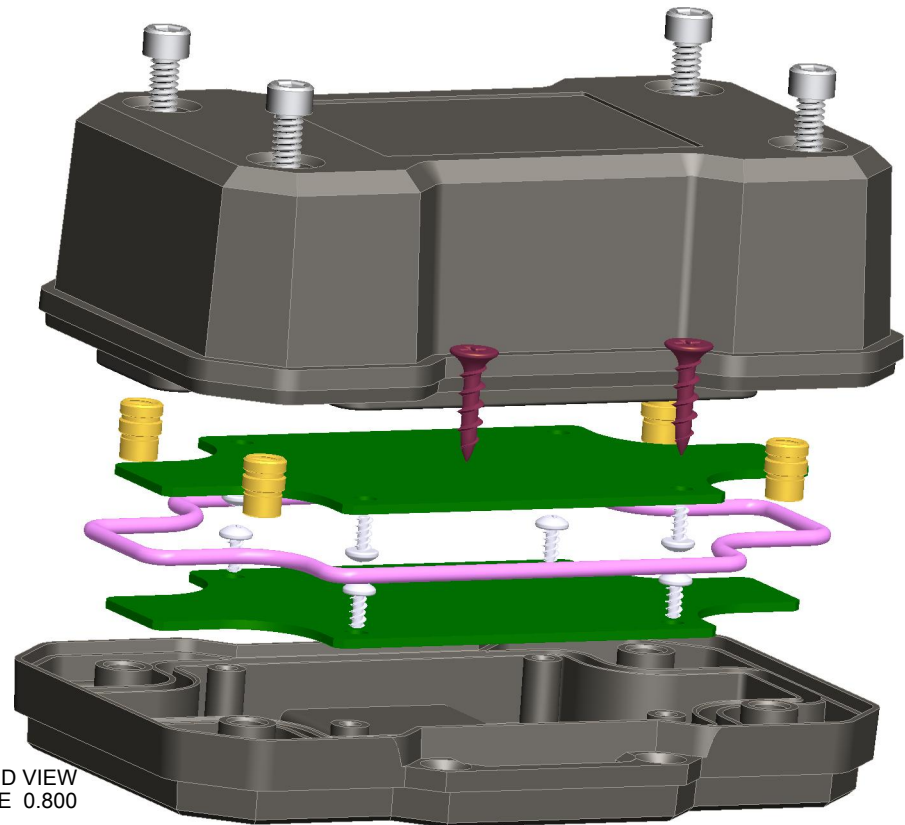
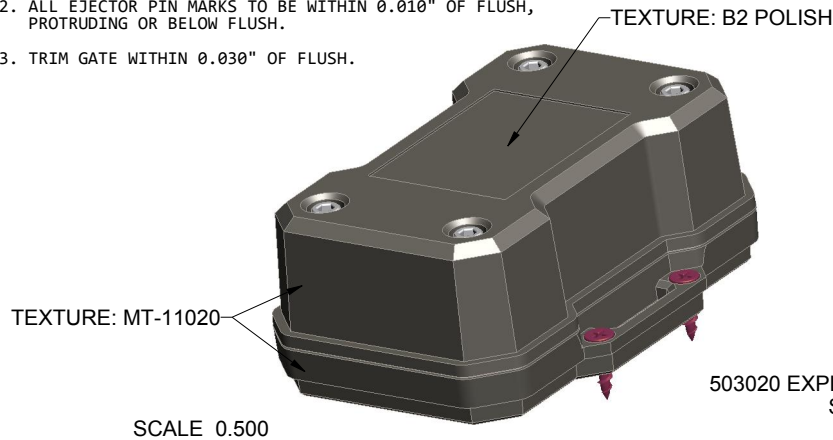


NOTES: UNLESS OTHERWISE SPECIFIED


- CORNERS DRAWN SHARP TO BE R.005 MAXIMUM.
- EXTERIOR SURFACE TEXTURE TO BE LIGHT EDM FINISH, EQUIVALENT TO MT-11020, EXCEPT WEHRE NOTED. TEXTURE ON ENCLOSURE WILL VARY FROM TIME TO TIME AS THE TOOL WEARS AND IT BECOMES NESSESARY TO REAPPLY.
- COVER INTERIOR SURFACE TEXTURE TO BE: B2 POLISH. BASE INTERIOR SURFACE TEXTURE TO BE: DRAW POLISH.
- ALL INSIDE RADII .010R. UNLESS OTHERWISE SPECIFIED.
- ALL EXTERNAL DIMENSIONS AFFECTED BY THE DRAFT APPLY AT THE LARGE END OF THE FEATURE, AND ALL INTERNAL FEATURES AFFECTED BY THE DRAFT APPLY AT THE SMALL END OF THE FEATURE UNLESS OTHERWISE SPECIFIED.
- ONE DEGREE DRAFT IN THE DIRECTION OF PULL IS PERMISSIBLE UNLESS OTHERWISE SPECIFIED.
- MATERIAL / COLOR: ENCLOSURE IN ASA PLASTIC IS STANDARD IN BLACK. SLIGHT COSMETIC SWIRLING, BLUSHING, AND/OR DISCOLORATION CAN OCCUR IN THIS ENCLOSURE DUE TO UV INHIBITORS IN THE RESIN. CUSTOM MATERIALS AND COLORS ARE AVAILABLE UPON REQUEST FOR QUOTE.
- PCB SIZES ARE RECOMMENDATIONS ONLY. FINAL SIZES AND VERIFICATION OF ITS FIT ARE THE SOLE RESPONSIBILITY OF EACH CUSTOMER.
- ASSEMBLY SCREWS FOR THE ENCLOSURE INCLUDED. MOUNTING SCREWS FOR THE PCB ARE SOLD SEPARATELY.
- THIS DRAWING IS BASED ON A SOLID MODEL, AND IS FURTHER DEFINED BY THE SOLID MODEL FILE.
- ALLOWABLE FLASH: 0.010 MAX.
- ALL EJECTOR PIN MARKS TO BE WITHIN 0.010" OF FLUSH, PROTRUDING OR BELOW FLUSH.
- TRIM GATE WITHIN 0.030" OF FLUSH.

R E V I S I O N					
REV.	DRAWN BY	ECO No	DESCRIPTION	DATE	APPROVE
A	M BOYER	PDCL NONE	PRELIMINARY RELEASE	2023-Nov-01	J.T.
B	M BOYER		MARKUP 240430	2024-Apr-30	



8	503020-ORING	OR-155 ORING - STANDARD	SILICONE - SHORE A	INCLUDED	1
7	SCREW_HILO-N04	#4 HiLo SCREW x .375"	ZINC PLATED	CUSTOMER SUPPLIED	8
6	SCREW-DRYWALLX750	DRYWALL SCREW	REFERENCE ONLY	CUSTOMER SUPPLIED	4
5	503020-PCB	503020 PCB - REFERENCE	.062" THICK	CUSTOMER SUPPLIED	2
4	503020-COVER	503020 COVER - STANDARD	ASA	BLACK	1
3	503020-BASE	503020 BASE - STANDARD	ASA	BLACK	1
2	SHCS_10-24	S.H.C.S. 10-24 UNC X 1-1/2	STEEL	-	4
1	TRISTAR_10-24_INSERT	PEM INSERT 10-24	BRASS	-	4
ITEM	FILE NAME	DESCRIPTION	MATERIAL	COLOR	QTY.

BILL OF MATERIALS

THIRD ANGLE PROJECTION

 DO NOT SCALE DRAWING

TOLERANCES: UNLESS OTHERWISE SPECIFIED DIMENSIONS ARE IN U.S. INCHES.
 X.XX = .015 X.XXXX = .001
 X.XXX = .010 X.X" = 1"

NEW AGE ENCLOSURES

Customer's Part No: 503020

APPROVAL BY DATE

CHECK

ENG.

SCALE AS NOTED

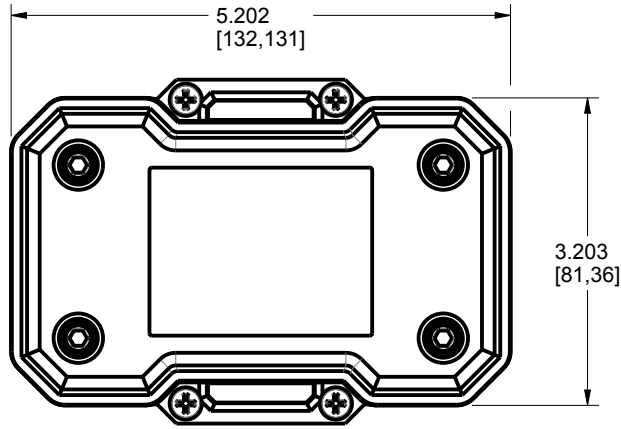
DRAWN BY M BOYER 2023-Nov-01

NEW AGE ENCLOSURES
 2240 South Thornburg Street Santa Maria, CA. 93455
 ph. (805) 595-1310 fax (805) 595-1024
www.newageenclosures.com

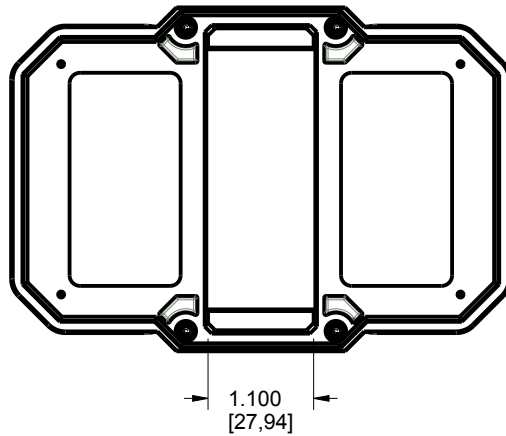
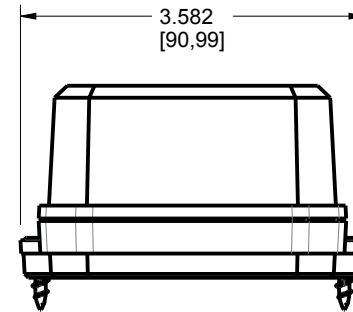
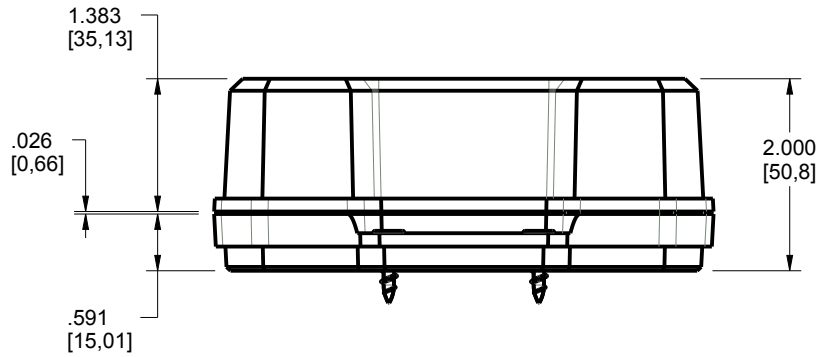
MEDIUM RUGGED - STANDARD
SXX-503020-XXX

SIZE A	DRAWING NAME 503020_RB	SHEET 1 OF 6	REV.DOC B
--------	------------------------	--------------	-----------

503020 ASSEMBLY



SCALE 0.500



TOLERANCES: UNLESS OTHERWISE SPECIFIED
DIMENSIONS ARE IN U.S. INCHES.
X.XX = .015 X.XXXX = .001
X.XXX = .010 X.X° = 1°

NEW AGE ENCLOSURES

Customer's Part No: 503020

APPROVAL	BY	DATE
CHECK		
ENG.		
SCALE	AS NOTED	

DRAWN BY
M BOYER 2023-Nov-01

NEW AGE ENCLOSURES

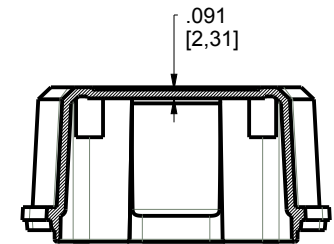
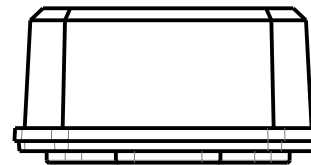
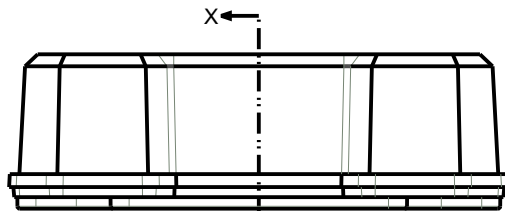
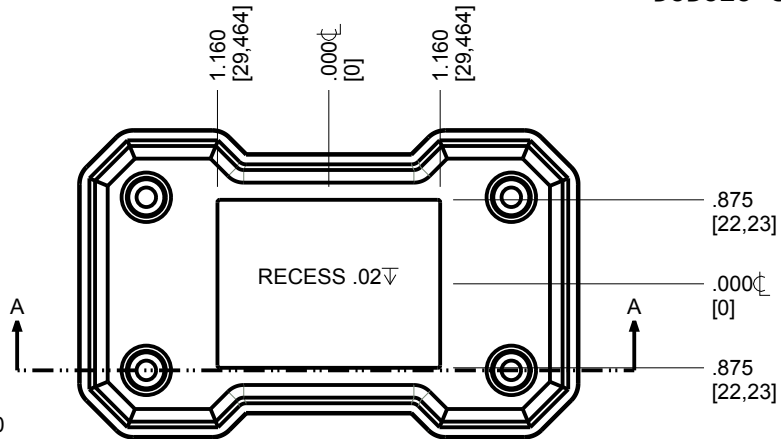
2240 South Thornburg Street Santa Maria, CA. 93455
ph. (805) 595-1310 fax (805) 595-1024
www.newageenclosures.com

MEDIUM RUGGED - STANDARD
SXX-503020-XXX

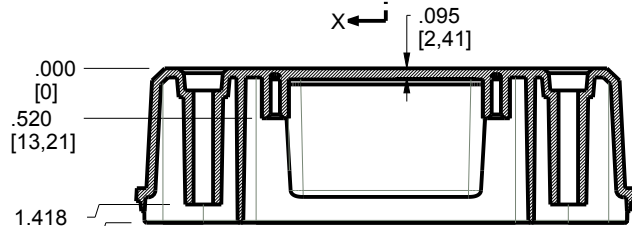
SIZE A	DRAWING NAME 503020_RB	SHEET 2 OF 6	REV.DOC B
-----------	---------------------------	-----------------	--------------

503020 COVER

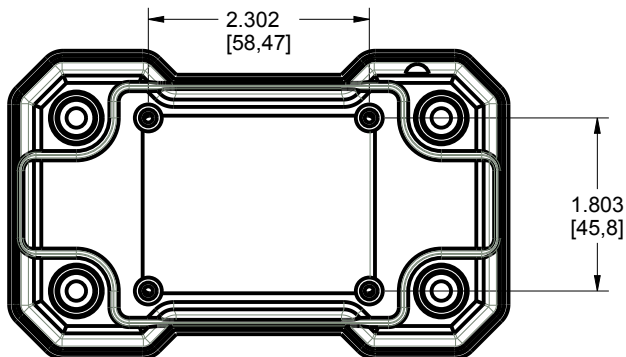
SCALE 0.500



SECTION X-X



SECTION A-A



TOLERANCES: UNLESS OTHERWISE SPECIFIED
DIMENSIONS ARE IN U.S. INCHES.
X.XX = .015 X.XXXX = .001
X.XXX = .010 X.X° = 1°

NEW AGE ENCLOSURES

Customer's Part No: 503020

APPROVAL	BY	DATE
CHECK		
ENG.		
SCALE	AS NOTED	

DRAWN BY
M BOYER 2023-Nov-01

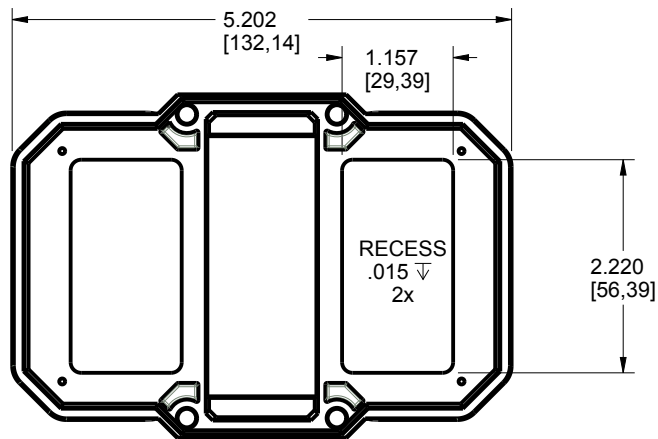
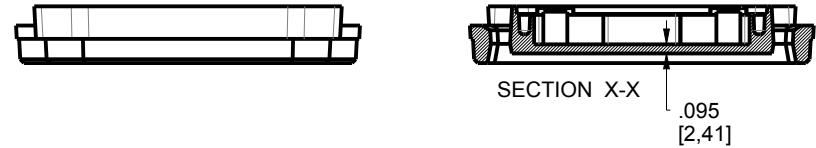
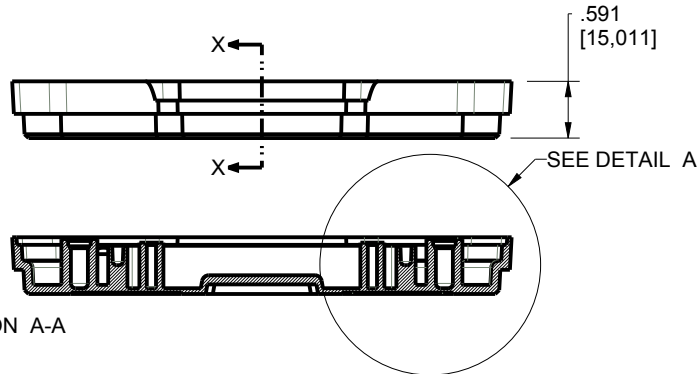
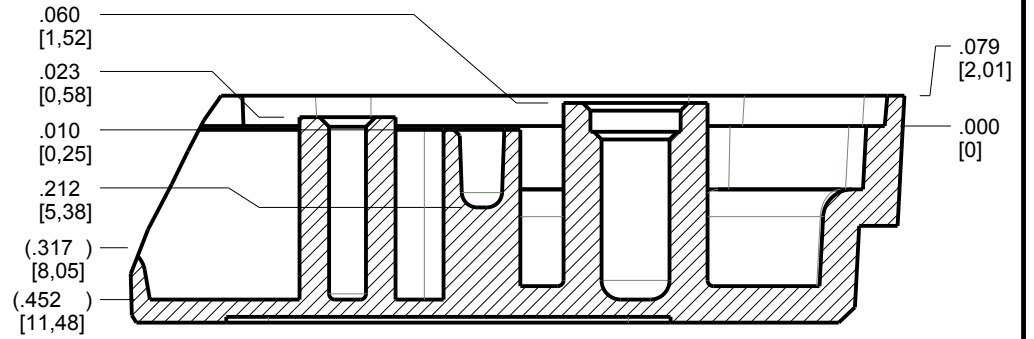
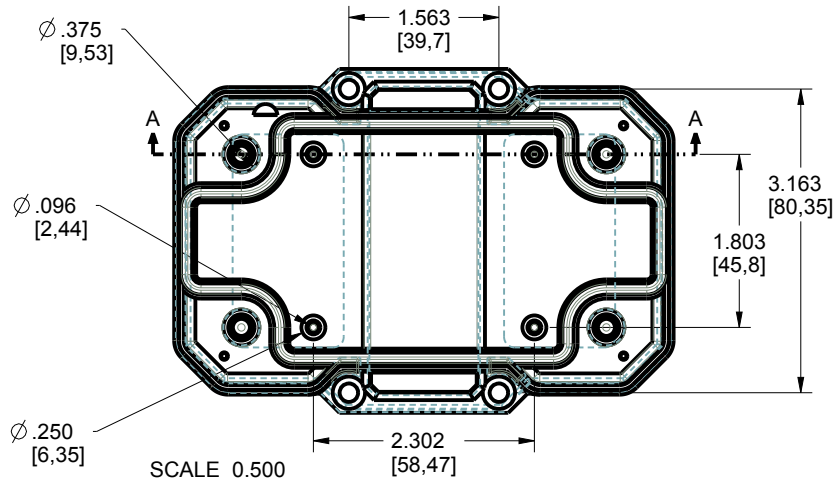
NEW AGE ENCLOSURES

2240 South Thornburg Street Santa Maria, CA. 93455
ph. (805) 595-1310 fax (805) 595-1024
www.newageenclosures.com

MEDIUM RUGGED - STANDARD
SXX-503020-XXX

SIZE A	DRAWING NAME 503020_RB	SHEET 3 OF 6	REV.DOC B
-----------	---------------------------	-----------------	--------------

503020 BASE



TOLERANCES: UNLESS OTHERWISE SPECIFIED
DIMENSIONS ARE IN U.S. INCHES.
X.XX = .015 X.XXXX = .001
X.XXX = .010 X.X° = 1°

NEW AGE ENCLOSURES

Customer's Part No: 503020

APPROVAL	BY	DATE
CHECK		
ENG.		
SCALE	AS NOTED	

DRAWN BY	2023-Nov-01
M BOYER	

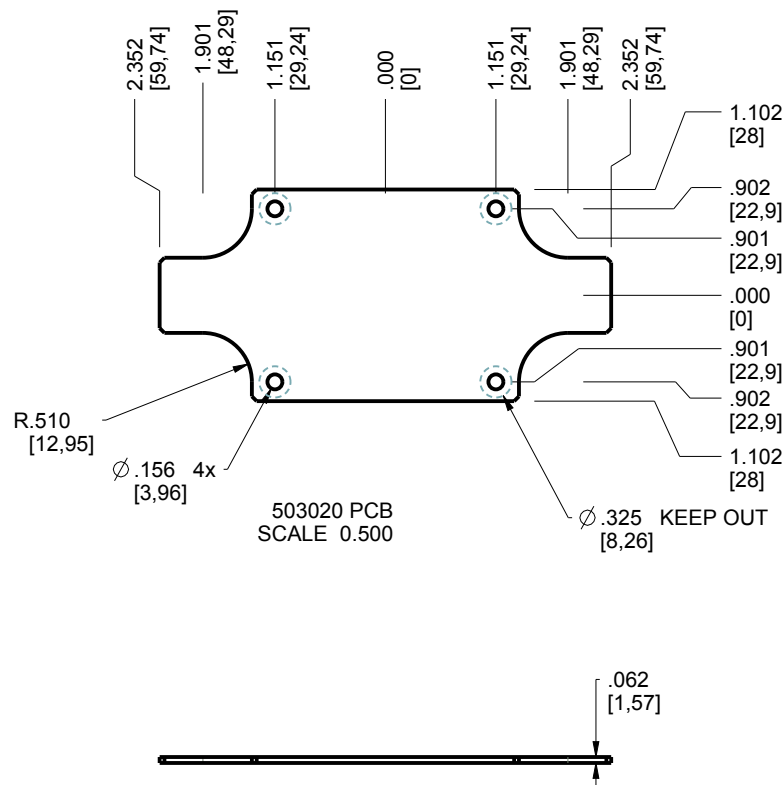
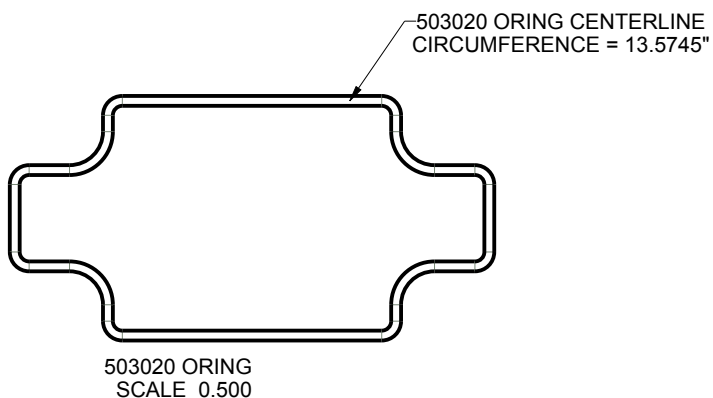
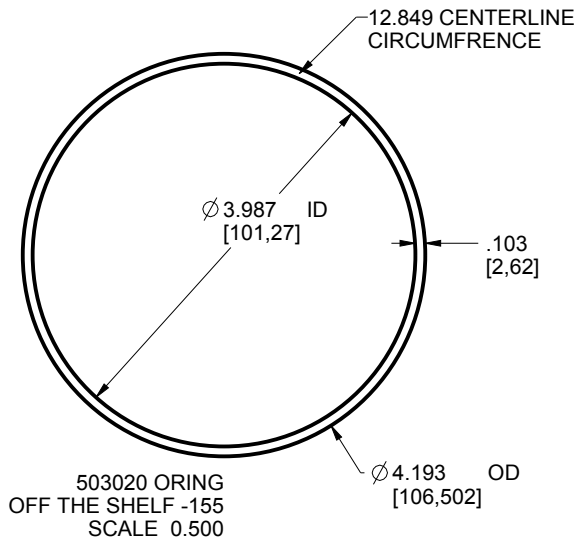
NEW AGE ENCLOSURES
2240 South Thornburg Street Santa Maria, CA. 93455
ph. (805) 595-1310 fax (805) 595-1024
www.newageenclosures.com

**MEDIUM RUGGED - STANDARD
SXX-503020-XXX**

SIZE	DRAWING NAME	SHEET	REV.DOC
A	503020_RB	4 OF 6	B

503020 PCB - CUSTOMER SUPPLIED

PCB SIZES ARE RECOMMENDATIONS ONLY. FINAL SIZES AND VERIFICATION OF ITS FIT ARE THE SOLE RESPONSIBILITY OF THE OEM.



TOLERANCES: UNLESS OTHERWISE SPECIFIED DIMENSIONS ARE IN U.S. INCHES.
 X.XX = .015 X.XXXX = .001
 X.XXX = .010 X.XX' = 1°

APPROVAL	BY	DATE
CHECK		
ENG.		
SCALE	AS NOTED	
DRAWN BY	M BOYER	
	2023-Nov-01	

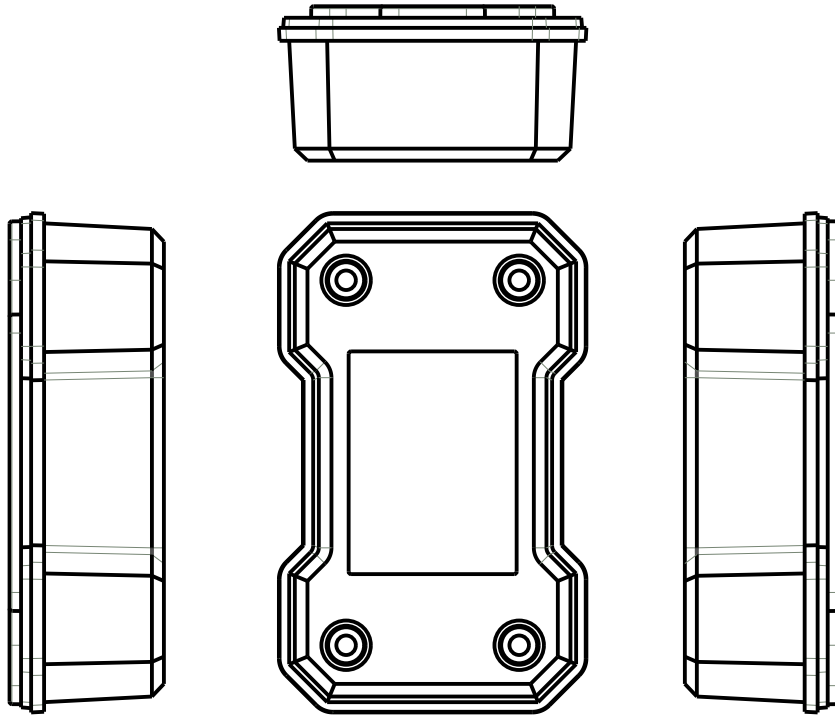
NEW AGE ENCLOSURES
 2240 South Thornburg Street Santa Maria, CA. 93455
 ph. (805) 595-1310 fax (805) 595-1024
www.newageenclosures.com

**MEDIUM RUGGED - STANDARD
 SXX-503020-XXX**

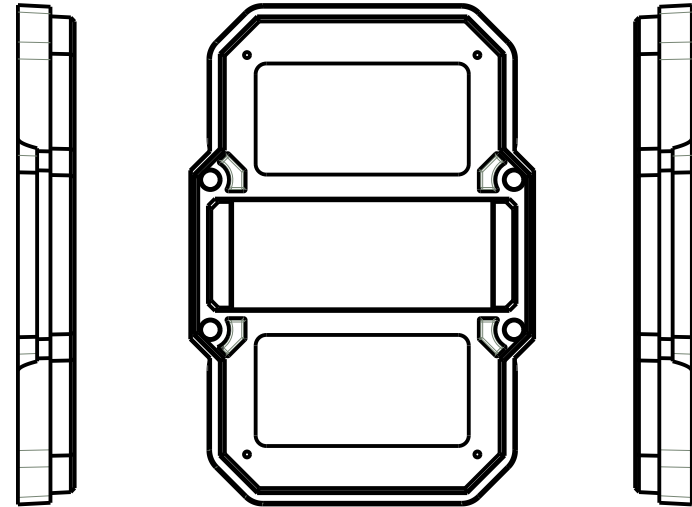
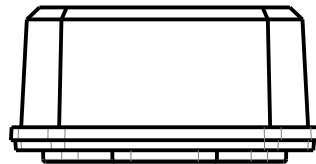
SIZE	DRAWING NAME	SHEET	REV.DOC
A	503020_RB	5 OF 6	B

473618 - 2nd OPERATION DETAILS

NEW AGE ENCLOSURES DELIVERS YOUR ENCLOSURE MARKET-READY WITH IN-HOUSE CNC MACHINING, PAD PRINTING, ASSEMBLY, AND FULFILLMENT. ALL SURFACES AND AREAS ARE AVAILABLE FOR CNC ALTERATION BY NEW AGE ENCLOSURES CALL (805) 595-1310 FOR PRICING AND SCHEDULE. THE INSIDE RADIUS OF ANY MACHINED FEATURES SHOULD BE NO SMALLER THAN .031"



503020 COVER
SCALE 0.500



503020 BASE
SCALE 0.500

TOLERANCES: UNLESS OTHERWISE SPECIFIED
DIMENSIONS ARE IN U.S. INCHES.
X.XX = .015 X.XXXX = .001
X.XXX = .010 X.X° = 1°

NEW AGE ENCLOSURES

Customer's Part No: 503020

APPROVAL	BY	DATE
CHECK		
ENG.		
SCALE	AS NOTED	
DRAWN BY	M BOYER	
	2023-Nov-01	

NEW AGE ENCLOSURES

2240 South Thornburg Street Santa Maria, CA. 93455
ph. (805) 595-1310 fax (805) 595-1024
www.newageenclosures.com

MEDIUM RUGGED - STANDARD
SXX-503020-XXX

SIZE	DRAWING NAME	SHEET	REV.DOC
A	503020_RB	6 OF 6	B

SXX-503020-XXX COVER - ASA, BLACK

STEP	DESCRIPTION	CUTTER	FIXTURE	ORIENTATION	PROGRAM
1-C-C1	-	T2 = .062" EM	-	-	o1001
2-C-C2	-	T2 = .062" EM	-	-	o1002