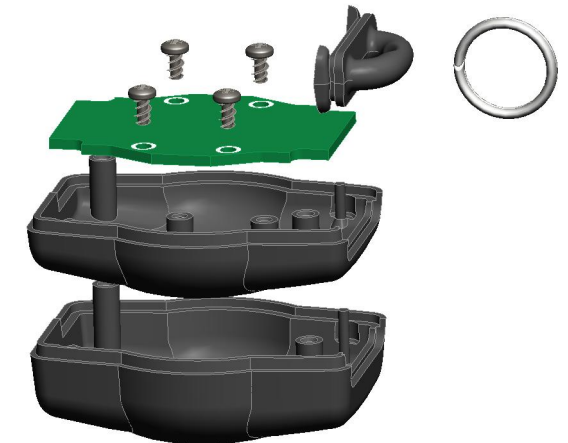
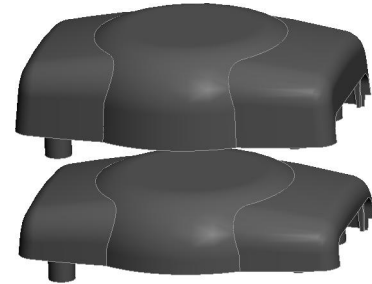


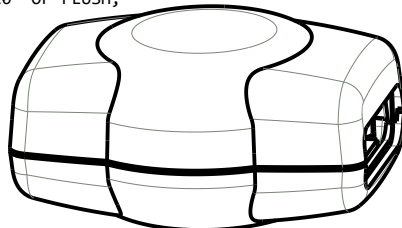
NOTES: UNLESS OTHERWISE SPECIFIED

- CORNERS DRAWN SHARP TO BE R.005 MAXIMUM.
- EXTERIOR SURFACE TEXTURE TO BE EQUIVALENT TO MT-11010. TEXTURE ON ENCLOSURE WILL VARY FROM TIME TO TIME AS THE TOOL WEARS AND IT BECOMES NECESSARY TO REAPPLY.
- INTERIOR SURFACE TEXTURE TO BE: NONE.
- ALL INSIDE RADII .010R. UNLESS OTHERWISE SPECIFIED.
- ALL EXTERNAL DIMENSIONS AFFECTED BY THE DRAFT APPLY AT THE LARGE END OF THE FEATURE, AND ALL INTERNAL FEATURES AFFECTED BY THE DRAFT APPLY AT THE SMALL END OF THE FEATURE UNLESS OTHERWISE SPECIFIED.
- ONE DEGREE DRAFT IN THE DIRECTION OF PULL IS PERMISSIBLE UNLESS OTHERWISE SPECIFIED.
- MATERIAL / COLOR: ABS PLASTIC IS STANDARD IN BLACK OR WHITE. CUSTOM MATERIALS AND COLORS ARE AVAILABLE UPON REQUEST FOR QUOTE. ALTERNATE RESINS HAVE DIFFERENT SHRINK RATES, AND WILL EFFECT DIMENSIONS.
- PCB SIZES ARE RECOMMENDATIONS ONLY. FINAL SIZES AND VERIFICATION OF ITS FIT ARE THE SOLE RESPONSIBILITY OF EACH CUSTOMER.
- ASSEMBLY SCREWS FOR THE ENCLOSURE INCLUDED. MOUNTING SCREWS FOR THE PCB ARE SOLD SEPARATELY.
- THIS DRAWING IS BASED ON A SOLID MODEL, AND IS FURTHER DEFINED BY THE SOLID MODEL FILE.
- ALLOWABLE FLASH: 0.010 MAX.
- ALL EJECTOR PIN MARKS TO BE WITHIN 0.010" OF FLUSH, PROTRUDING OR BELOW FLUSH.
- TRIM GATE WITHIN 0.030" OF FLUSH.

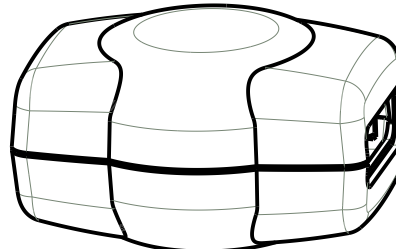
R E V I S I O N					
REV.	DRAWN BY	ECO No	DESCRIPTION	DATE	APPROVE
A	M BOYER	DRXXX	PRELIMINARY RELEASE	2024-Jun-12	D.C.
B	M BOYER		REVISE KEYRING PER 240730 MARKUP	2024-Jul-30	



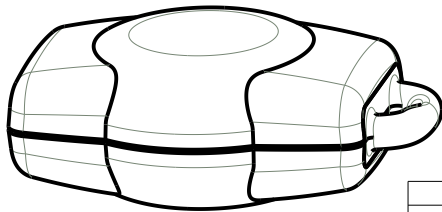
EXPLODED VIEW  
SCALE 0.900



**191508KM ASSEMBLY**  
- 191510 CASE HALF  
- 191508 CASE HALF  
- 191508 KEYRING  
SCALE 1.000



**191508KT ASSEMBLY**  
- 191510 CASE HALF  
- 191510 CASE HALF  
- 191508 KEYRING  
SCALE 1.000




**191508KS ASSEMBLY**  
- 191508 CASE HALF  
- 191508 CASE HALF  
- 191508 KEYRING  
SCALE 1.000

191508(x) CONFIGURATIONS			
	-KS	-KM	-KT
191508 CASE HALF	2	1	
191510 CASE HALF		1	2
191508 KEYRING	1	1	1

ITEM	DESCRIPTION	MATERIAL	COLOR	QTY.
7	2-32 ROUND SHANK x .187" SCREW	SOLD SEPERATELY	MMC 90056A075	4
6	TYPE A - FEMALE USB CONNECTOR	REFERENCE ONLY	CUSTOMER SUPPLIED	1
5	RJ45 FEMALE CONNECTOR	REFERENCE ONLY	CUSTOMER SUPPLIED	1
4	190508 PCB - REFERENCE	.062" THICK	CUSTOMER SUPPLIED	2
3	191510 CASE - STANDARD	ABS	BLACK or WHITE	2
2	191508 KEYRING INSERT	ABS	BLACK or WHITE	1
1	191508 CASE - STANDARD	ABS	BLACK or WHITE	2

**BILL OF MATERIALS**

THIRD ANGLE PROJECTION  
  
DO NOT SCALE DRAWING

TOLERANCES: UNLESS OTHERWISE SPECIFIED  
DIMENSIONS ARE IN U.S. INCHES.  
X.XX = .015 X.XXXX = .001  
X.XXX = .010 X.X" = 1°

**NEW AGE ENCLOSURES**

Customer's Part No: 181508X

APPROVAL	BY	DATE
CHECK		
ENG.		
SCALE	AS NOTED	

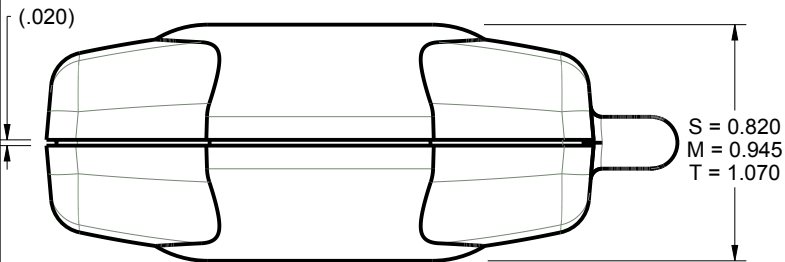
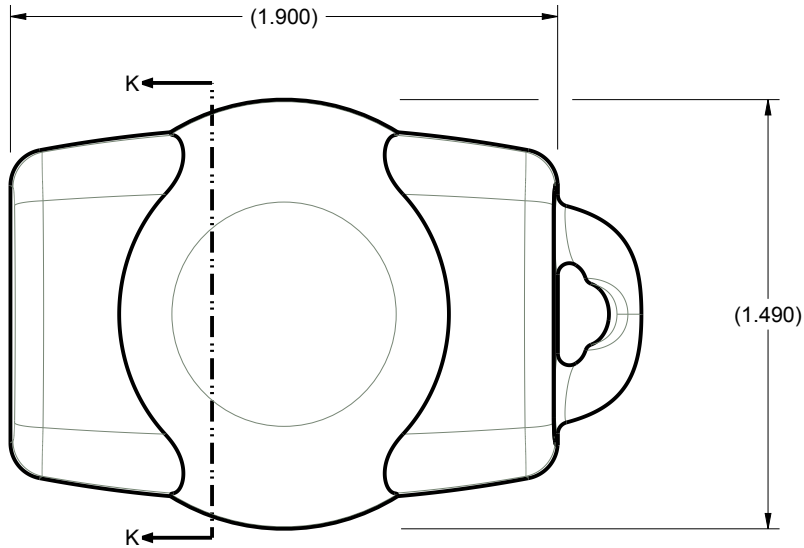
DRAWN BY  
M BOYER  
2024-Jun-12

**NEW AGE ENCLOSURES**  
2240 South Thornburg Street Santa Maria, CA. 93455  
ph. (805) 595-1310 fax (805) 595-1024  
[www.newageenclosures.com](http://www.newageenclosures.com)

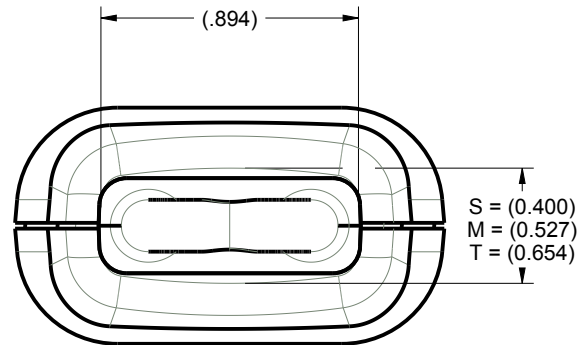
**KEYRING HOUSING - STANDARD  
PXX-191508KX-XXX**

SIZE	DRAWING NAME	SHEET	REV.DOC
A	191508KX_RB	1 OF 6	B

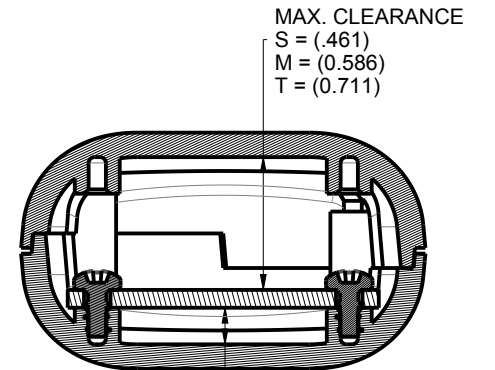
191508 ASSEMBLY



SCALE 1.500

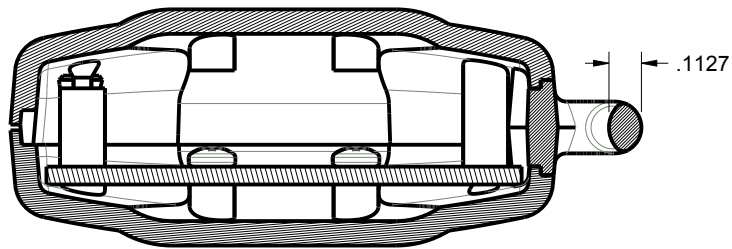


191508S MODELS SHOWN



SECTION K-K

(.127) MAX. CLEARANCE FOR ALL CONFIGURATIONS.



SECTION Y-Y

TOLERANCES: UNLESS OTHERWISE SPECIFIED  
DIMENSIONS ARE IN U.S. INCHES.  
X.XX = .015 X.XXXX = .001  
X.XXX = .010 X.X° = 1°

NEW AGE ENCLOSURES

Customer's Part No: 181508X

APPROVAL BY DATE

CHECK

ENG.

SCALE AS NOTED

DRAWN BY M BOYER 2024-Jun-12

**NEW AGE ENCLOSURES**

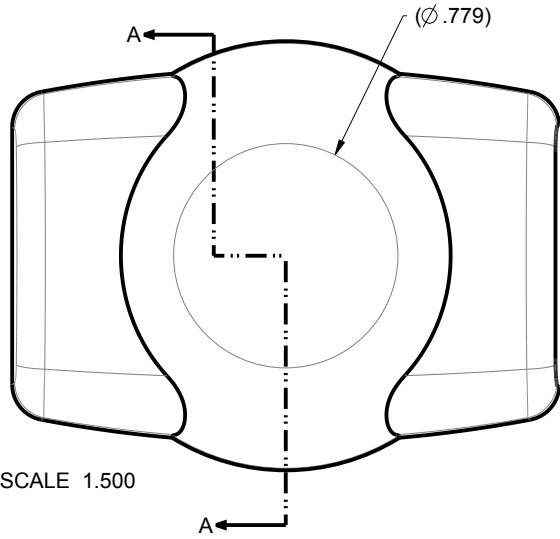
2240 South Thornburg Street Santa Maria, CA. 93455  
ph. (805) 595-1310 fax (805) 595-1024  
www.newageenclosures.com

KEYRING HOUSING - STANDARD  
PXX-191508KX-XXX

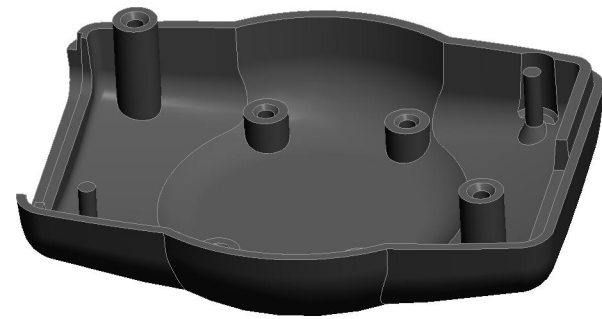
SIZE A DRAWING NAME 191508KX\_RB

SHEET 2 OF 6 REV.DOC B

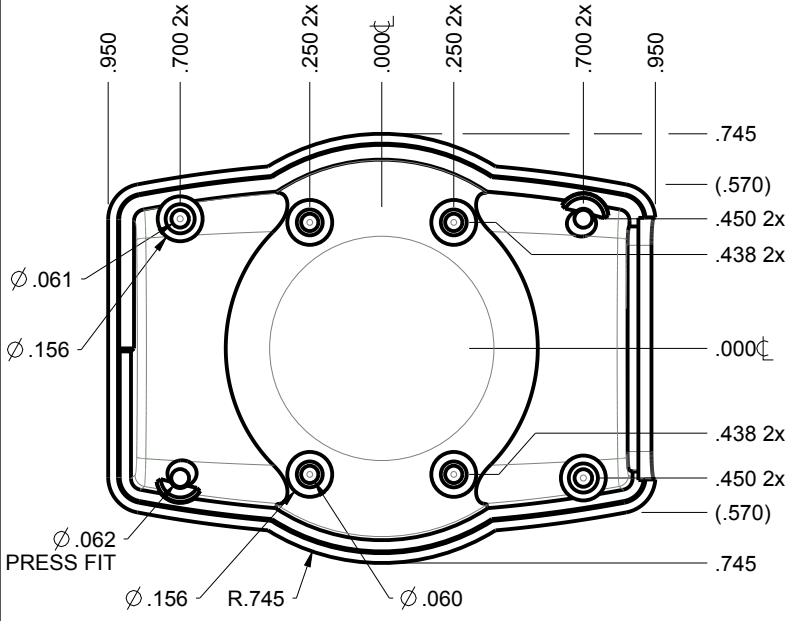
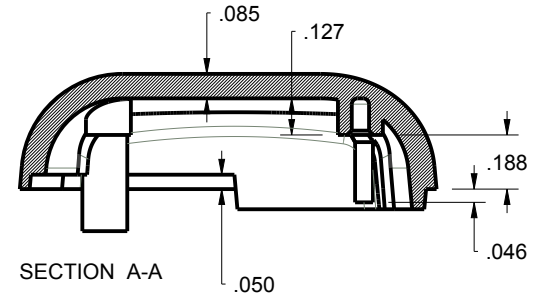
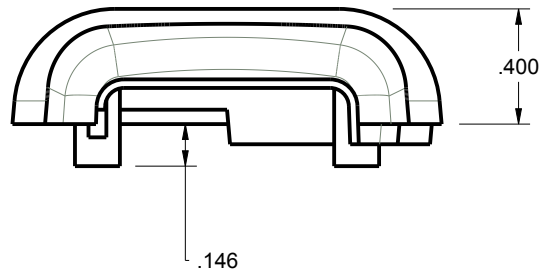
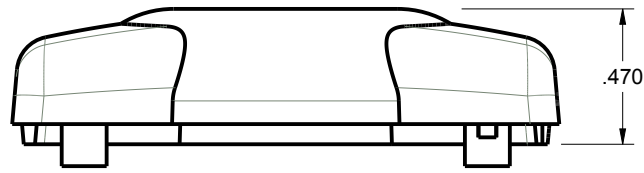
191508 COVER / BASE



SCALE 1.500



SCALE 1.500



TOLERANCES: UNLESS OTHERWISE SPECIFIED DIMENSIONS ARE IN U.S. INCHES.  
 X.XX = .015 X.XXXX = .001  
 X.XXX = .010 X.X° = 1°

NEW AGE ENCLOSURES  
 Customer's Part No: 181508X

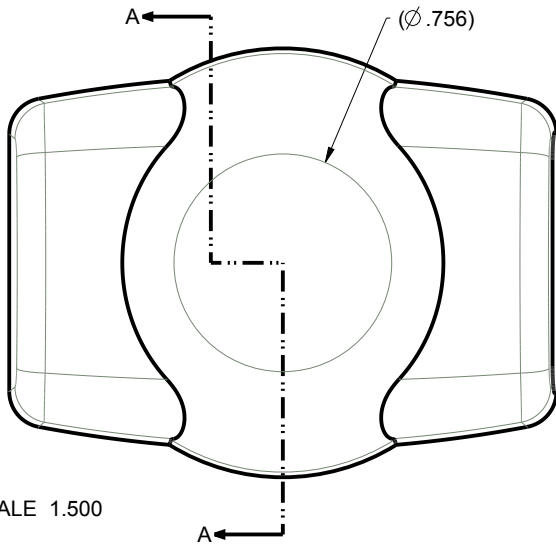
APPROVAL	BY	DATE
CHECK		
ENG.		
SCALE	AS NOTED	
DRAWN BY	2024-Jun-12	
M BOYER		

**NEW AGE ENCLOSURES**  
 2240 South Thornburg Street Santa Maria, CA. 93455  
 ph. (805) 595-1310 fax (805) 595-1024  
[www.newageenclosures.com](http://www.newageenclosures.com)

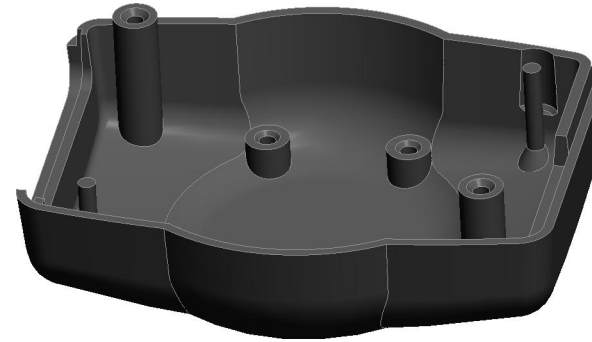
**KEYRING HOUSING - STANDARD PXX-191508KX-XXX**

SIZE	DRAWING NAME	SHEET	REV.DOC
A	191508KX_RB	3 OF 6	B

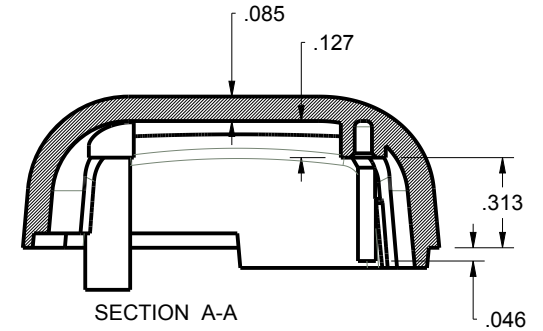
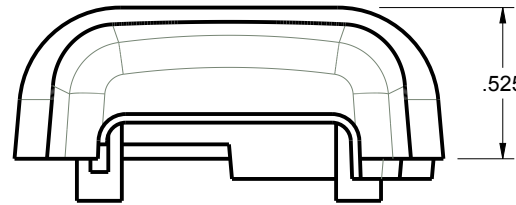
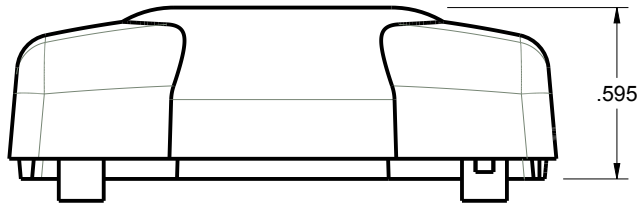
191510 COVER / BASE



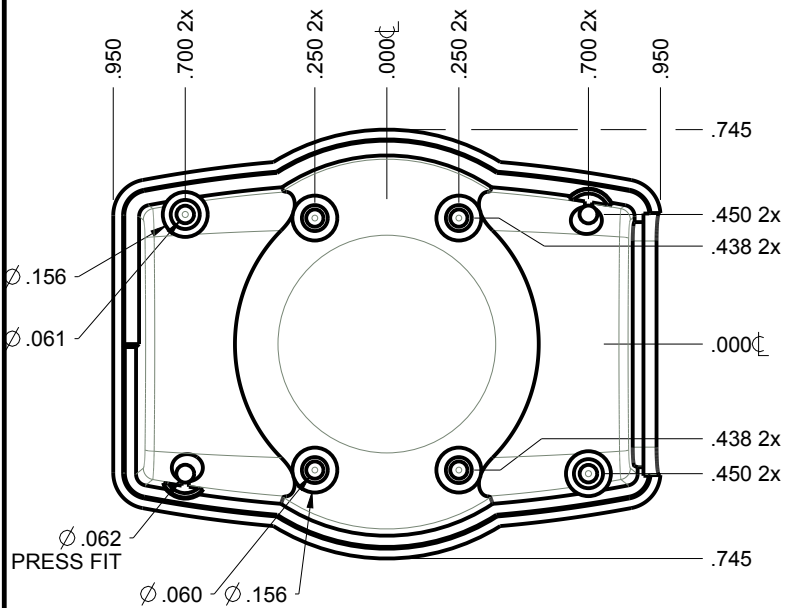
SCALE 1.500



SCALE 1.500



SECTION A-A



TOLERANCES: UNLESS OTHERWISE SPECIFIED  
DIMENSIONS ARE IN U.S. INCHES.  
X.XX = .015 X.XXXX = .001  
X.XXX = .010 X.X° = 1°

NEW AGE ENCLOSURES

Customer's Part No: 181508X

APPROVAL BY DATE

CHECK

ENG.

SCALE AS NOTED

DRAWN BY M BOYER 2024-Jun-12

**NEW AGE ENCLOSURES**

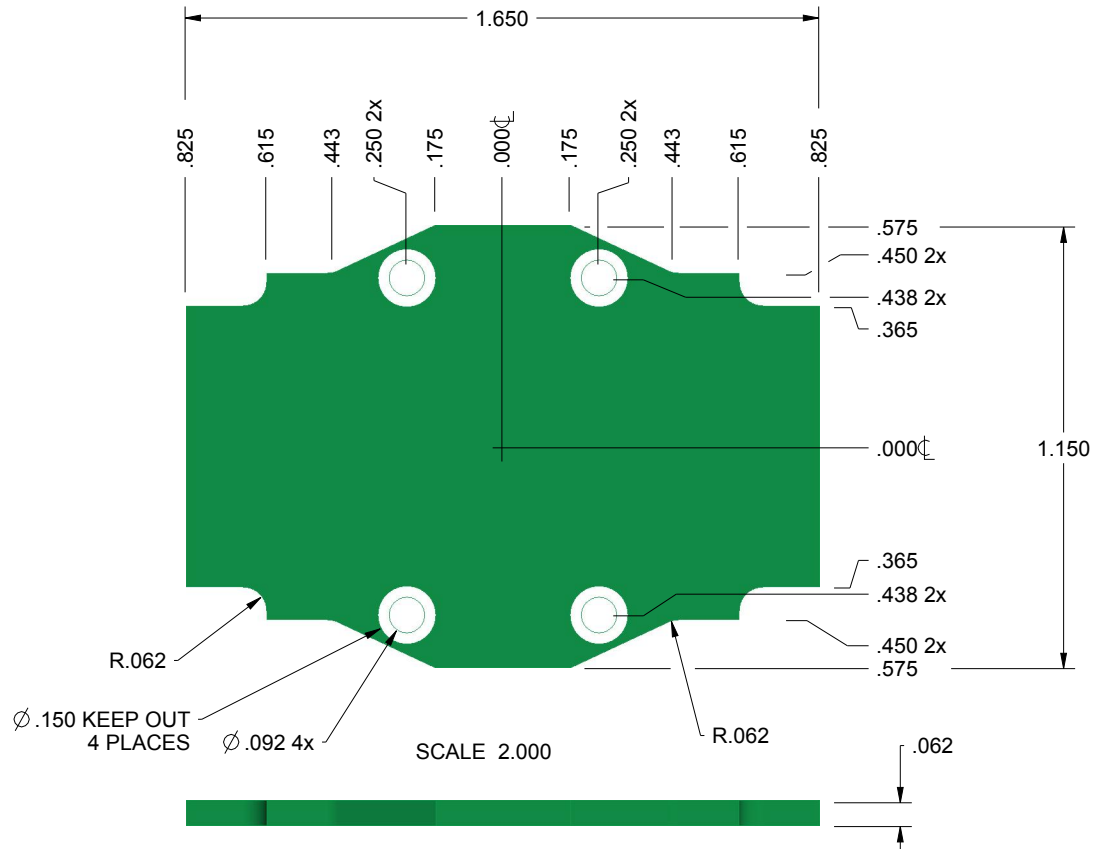
2240 South Thornburg Street Santa Maria, CA. 93455  
ph. (805) 595-1310 fax (805) 595-1024  
www.newageenclosures.com

KEYRING HOUSING - STANDARD  
PXX-191508KX-XXX

SIZE A DRAWING NAME 191508KX\_RB

SHEET 4 OF 6 REV.DOC B

191508 PCB - CUSTOMER SUPPLIED  
 PCB SIZES ARE RECOMMENDATIONS ONLY. FINAL  
 SIZES AND VERIFICATION OF IT'S FIT ARE THE  
 SOLE RESPONSIBILITY OF THE OEM.



TOLERANCES: UNLESS OTHERWISE SPECIFIED  
 DIMENSIONS ARE IN U.S. INCHES.  
 X.XX = .015 X.XXXX = .001  
 X.XXX = .010 X.X° = 1°

NEW AGE ENCLOSURES

Customer's Part No: 181508X

APPROVAL BY DATE

CHECK

ENG.

SCALE AS NOTED

DRAWN BY M BOYER 2024-Jun-12

**NEW AGE ENCLOSURES**

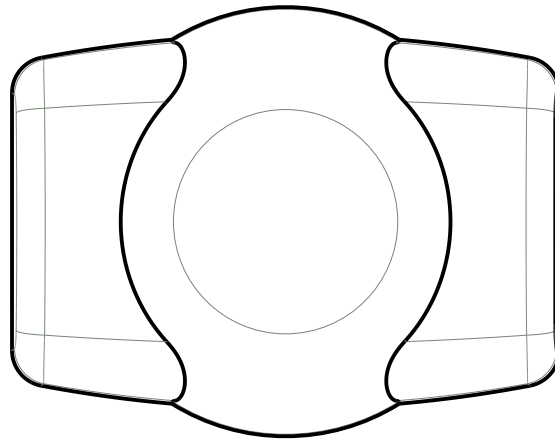
2240 South Thornburg Street Santa Maria, CA. 93455  
 ph. (805) 595-1310 fax (805) 595-1024  
[www.newageenclosures.com](http://www.newageenclosures.com)

KEYRING HOUSING - STANDARD  
 PXX-191508KX-XXX

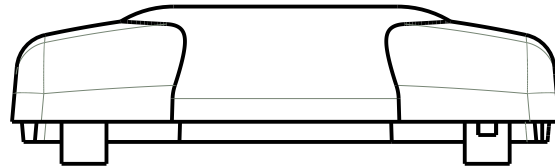
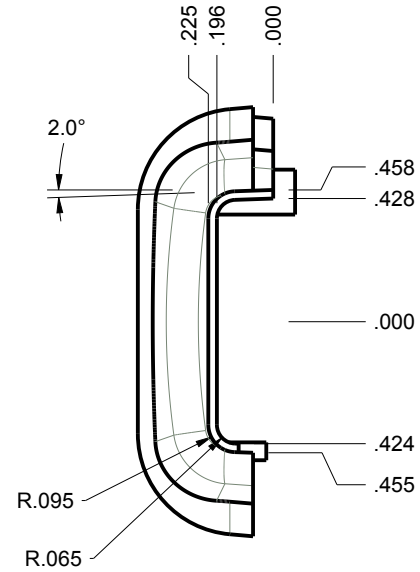
SIZE A DRAWING NAME 191508KX\_RB SHEET 5 OF 6 REV.DOC B

## 2nd OPERATION DETAILS

NEW AGE ENCLOSURES DELIVERS YOUR ENCLOSURE MARKET-READY WITH IN-HOUSE  
CNC MACHINING, PAD PRINTING, ASSEMBLY, AND FULFILLMENT.  
ALL SURFACES AND AREAS ARE AVAILABLE FOR CNC ALTERATION BY NEW AGE ENCLOSURES  
CALL (805) 595-1310 FOR PRICING AND SCHEDULE.  
THE INSIDE RADIUS OF ANY MACHINED FEATURES SHOULD BE NO SMALLER THAN .031"



SCALE 1.500



TOLERANCES: UNLESS OTHERWISE SPECIFIED  
DIMENSIONS ARE IN U.S. INCHES.  
X.XX = .015 X.XXXX = .001  
X.XXX = .010 X.X° = 1°

**NEW AGE ENCLOSURES**

Customer's Part No: 181508X

APPROVAL	BY	DATE
CHECK		
ENG.		
SCALE	AS NOTED	
DRAWN BY	2024-Jun-12	
M BOYER		

**NEW AGE ENCLOSURES**

2240 South Thornburg Street Santa Maria, CA. 93455  
ph. (805) 595-1310 fax (805) 595-1024  
[www.newageenclosures.com](http://www.newageenclosures.com)

**KEYRING HOUSING - STANDARD  
PXX-191508KX-XXX**

PXX-191508-XXX COVER - ABS, BLACK					
STEP	DESCRIPTION	CUTTER	FIXTURE	ORIENTATION	PROGRAM
1-C-C1	END CUT FOR KEYRING	T4 = .125" EM	282	2 AT A TIME	o1508

SIZE	DRAWING NAME	SHEET	REV.DOC
A	191508KX_RB	6 OF 6	B