

From Off-The-Shelf to Market-Ready© New Age Enclosures is your Single Source Solution.



Get a free quote today.

Visit newageenclosures.com/services or
call 855-4NA-ENCL for customization.

Part Marking
CNC Cutouts
Color Options
RF/EMI Shielding
Specialized Materials
Custom Designed Enclosures

**NEW AGE
ENCLOSURES**

DEVELOP THE FUTURE

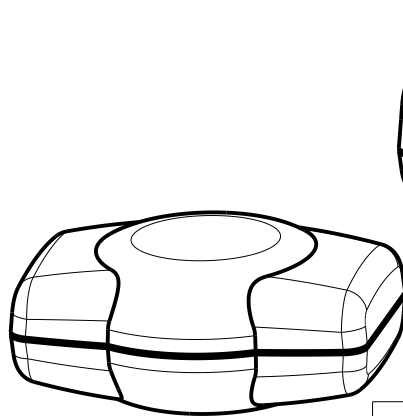
20+ YEARS
of LEADING BY DESIGN



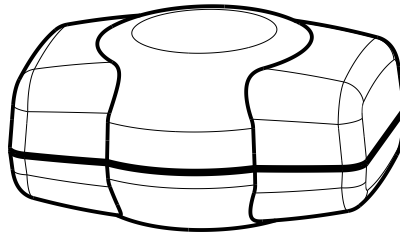
NOTES: UNLESS OTHERWISE SPECIFIED

1. CORNERS DRAWN SHARP TO BE R.005 MAXIMUM.
2. EXTERIOR SURFACE TEXTURE TO BE LIGHT EDM FINISH. EQUIVELANT TO MT-11010.
3. INTERIOR SURFACE TEXTURE TO BE: NONE.
4. ALL INSIDE RADII .010R. UNLESS OTHERWISE SPECIFIED.
5. ALL EXTERNAL DIMENSIONS AFFECTED BY THE DRAFT APPLY AT THE LARGE END OF THE FEATURE, AND ALL INTERNAL FEATURES AFFECTED BY THE DRAFT APPLY AT THE SMALL END OF THE FEATURE UNLESS OTHERWISE SPECIFIED.
6. 1 DEGREE DRAFT IN THE DIRECTION OF PULL IS PERMISSIBLE UNLESS OTHERWISE SPECIFIED.
7. THIS ENCLOSURE IS A PRESS FIT ASSEMBLY. FOR PERMANENT CLOSURE: A DROP OF ADHESIVE OR ULTRASONIC WELDING IS REQUIRED.
8. MOUNTING SCREWS FOR THE PCB ARE SOLD SEPERATELY.
9. MATERIAL / COLOR: ABS PLASTIC IS STANDARD IN BLACK OR WHITE. CUSTOM MATERIALS AND COLORS ARE AVAILABLE UPON REQUEST FOR QUOTE.
10. PCB SIZES ARE RECOMMENDATIONS ONLY. FINAL SIZES AND VERIFICATION OF IT'S FIT ARE THE SOLE RESPONSIBILITY OF OEM.
11. THIS DRAWING IS BASED ON A SOLID MODEL, AND IS FURTHER DEFINED BY THE SOLID MODEL FILE.
12. ALLOWABLE FLASH: 0.010 MAX.
13. ALL EJECTOR PIN MARKS TO BE WITHIN 0.010" OF FLUSH, PROTRUDING OR BELOW FLUSH.

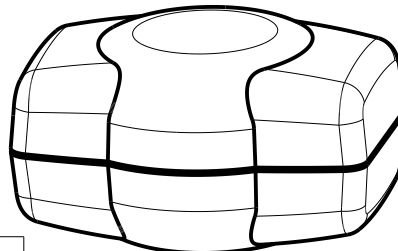
R E V I S I O N					
REV.	DRAWN BY	ECO No	DESCRIPTION	DATE	APPROVED
A	M BOYER	DR XXX	PRELIMINARY RELEASE	06-Apr-11	D.C.
B	M BOYER		CHANGE TITLE AND PN	25-Jan-12	D.C.
C	M BOYER		ADD LARGER CONFIGURATION	15-Oct-12	D.C.
D	M BOYER		REDUCE THE LENGTH OF ASSY POST	30-Nov-12	D.C.
E	M BOYER		UPDATE NAME	25-Jan-13	D.C.
F	R CRUZ		UPDATE TO AS BUILT	07-Jun-13	D.C.
1.0	R CRUZ		RELEASED	25-Jun-13	



191508S ASSEMBLY
- 191508 COVER
- 191508 BASE
SCALE 1.000

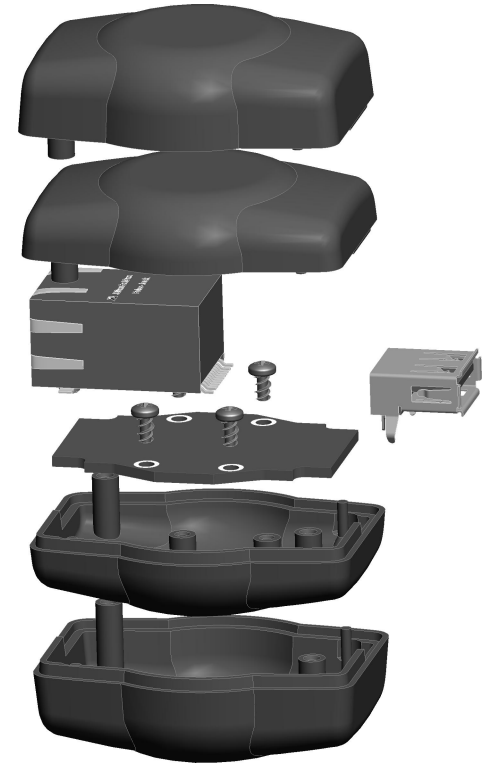


191508M ASSEMBLY
- 191510 COVER
- 191508 BASE
SCALE 1.000



191508T ASSEMBLY
- 191510 COVER
- 191510 BASE
SCALE 1.000

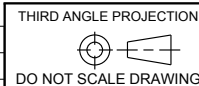
191508(x) CONFIGURATIONS			
	-S	-M	-T
191508 COVER	1		
191508 BASE	1	1	
191510 COVER		1	1
191510 BASE			1



EXPLODED VIEW
SCALE 0.900

ITEM	DESCRIPTION	MATERIAL	COLOR	QTY.
6	2-32 ROUND SHANK x .187" SCREW	SOLD SEPERATELY	MMC 90056A075	4
5	TYPE A - FEMALE USB CONNECTOR	REFERENCE ONLY	CUSTOMER SUPPLIED	1
4	RJ45 FEMALE CONNECTOR	REFERENCE ONLY	CUSTOMER SUPPLIED	1
3	190508 PCB - REFERENCE	.062" THICK	CUSTOMER SUPPLIED	2
2	191510 CASE - STANDARD	ABS	BLACK or WHITE	2
1	191508 CASE - STANDARD	ABS	BLACK or WHITE	2

BILL OF MATERIALS



TOLERANCES: UNLESS OTHERWISE SPECIFIED
DIMENSIONS ARE IN U.S. INCHES.
X.XX = .015 X.XXXX = .001
X.XXX = .010 X.X" = 1°

NEW AGE ENCLOSURES

Customer's Part No: 181508X

APPROVAL	BY	DATE
CHECK		
ENG.		
SCALE	AS NOTED	

DRAWN BY
M BOYER
2011-Apr-06

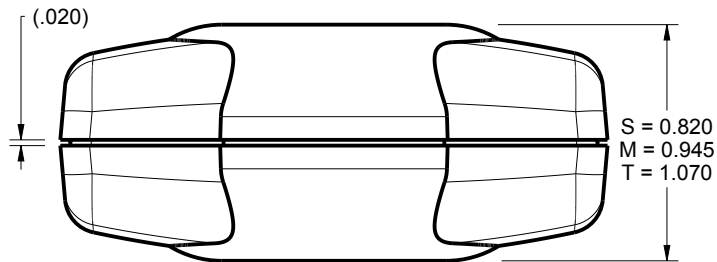
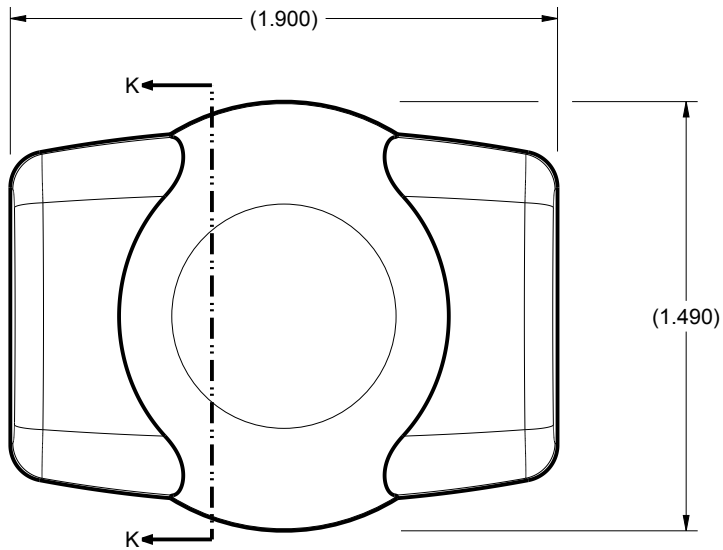
NEW AGE ENCLOSURES

2240 South Thornburg Street Santa Maria, CA. 93455
ph. (805) 595-1310 fax (805) 595-1024
www.newageenclosures.com

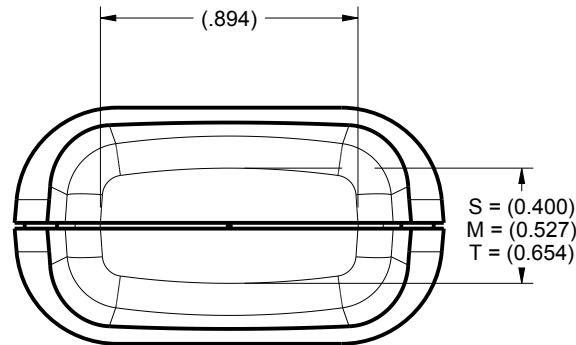
ELEC. HOUSING - STANDARD
PXX-191508X-XXX

SIZE A DRAWING NAME 191508_R1_0 SHEET 1 OF 6 REV.DOC 1.0

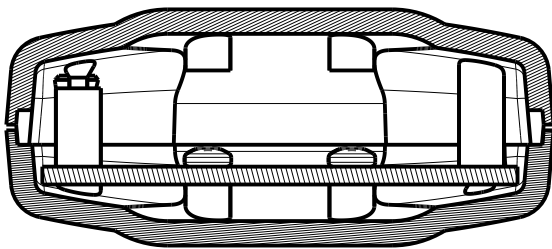
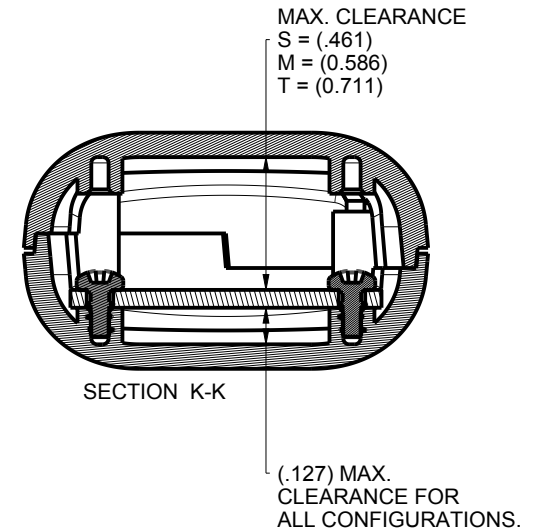
191508 ASSEMBLY



SCALE 1.500



191508S MODELS SHOWN



SECTION Y-Y

TOLERANCES: UNLESS OTHERWISE SPECIFIED
DIMENSIONS ARE IN U.S. INCHES.
X.XX = .015 X.XXXX = .001
X.XXX = .010 X.X° = 1°

NEW AGE ENCLOSURES
2240 South Thornburg Street Santa Maria, CA. 93455
ph. (805) 595-1310 fax (805) 595-1024

Customer's Part No: 181508X

www.newageenclosures.com

APPROVAL	BY	DATE
CHECK		
ENG.		
SCALE	AS NOTED	

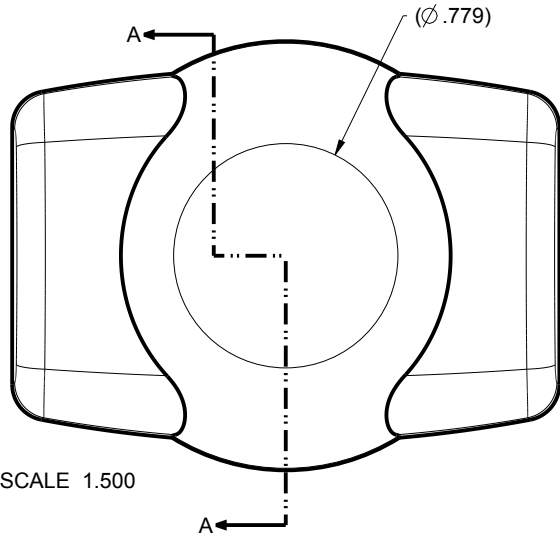
ELEC. HOUSING - STANDARD
PXX-191508X-XXX

DRAWN BY
M BOYER 2011-Apr-06

SIZE A DRAWING NAME
191508_R1_0

SHEET 2 OF 6 REV.DOC 1.0

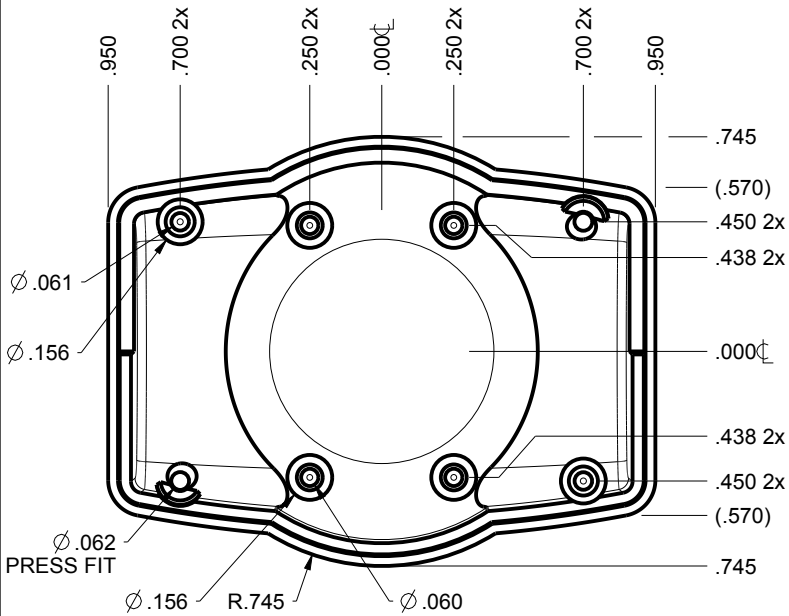
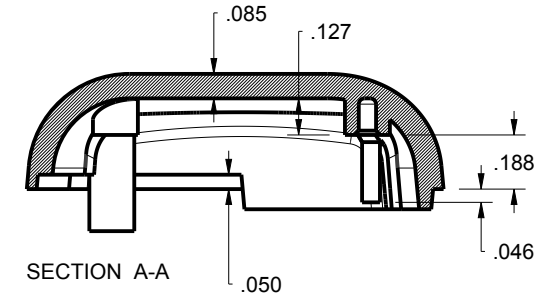
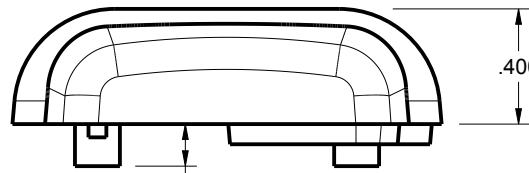
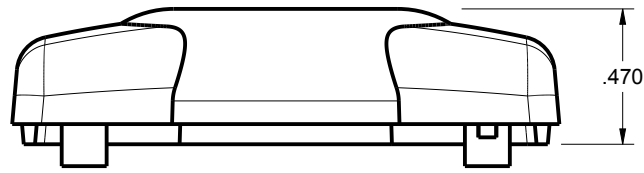
191508 COVER / BASE



SCALE 1.500



SCALE 1.500



TOLERANCES: UNLESS OTHERWISE SPECIFIED
DIMENSIONS ARE IN U.S. INCHES.
X.XX = .015 X.XXXX = .001
X.XXX = .010 X.X° = 1°

NEW AGE ENCLOSURES
Customer's Part No: 181508X

APPROVAL BY DATE

CHECK

ENG.

SCALE AS NOTED

DRAWN BY M BOYER 2011-Apr-06

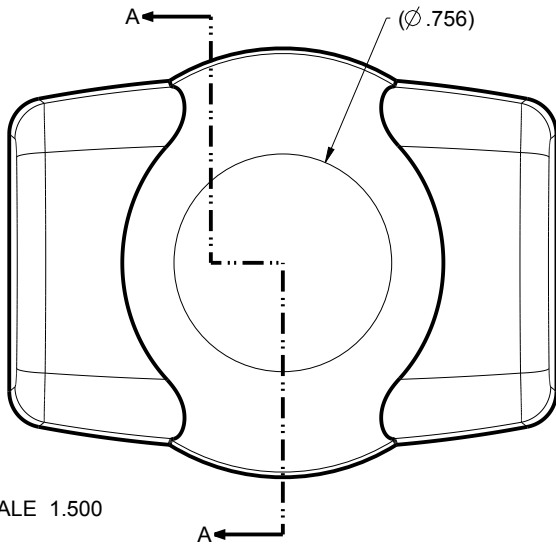
NEW AGE ENCLOSURES

2240 South Thornburg Street Santa Maria, CA. 93455
ph. (805) 595-1310 fax (805) 595-1024
www.newageenclosures.com

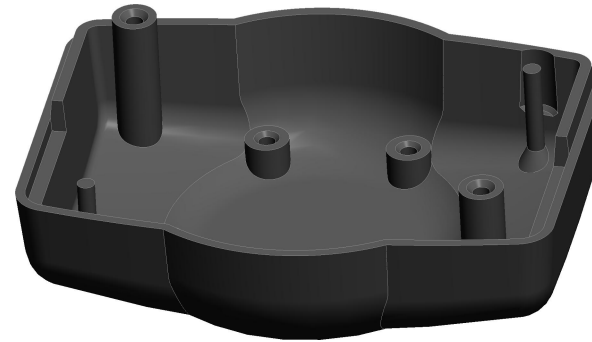
ELEC. HOUSING - STANDARD
PXX-191508X-XXX

SIZE A	DRAWING NAME 191508_R1_0	SHEET 3 OF 6	REV.DOC 1.0
--------	--------------------------	--------------	-------------

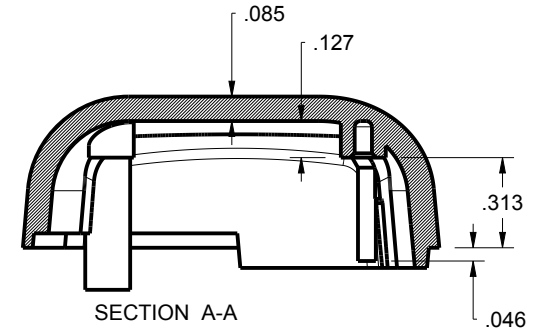
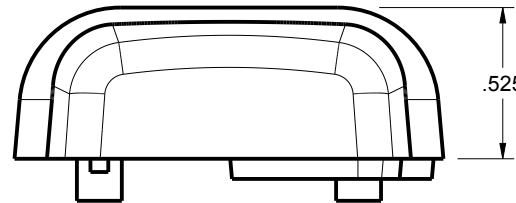
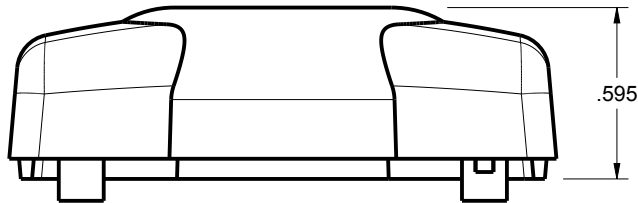
191510 COVER / BASE



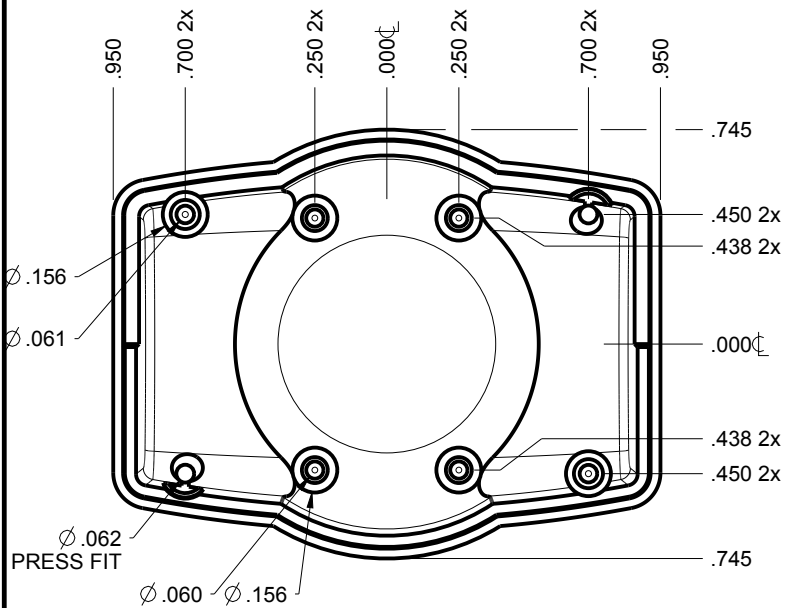
SCALE 1.500



SCALE 1.500



SECTION A-A



TOLERANCES: UNLESS OTHERWISE SPECIFIED
DIMENSIONS ARE IN U.S. INCHES.
X.XX = .015 X.XXXX = .001
X.XXX = .010 X.X° = 1°

NEW AGE ENCLOSURES

Customer's Part No: 181508X

APPROVAL BY DATE

CHECK

ENG.

SCALE AS NOTED

DRAWN BY M BOYER 2011-Apr-06

NEW AGE ENCLOSURES

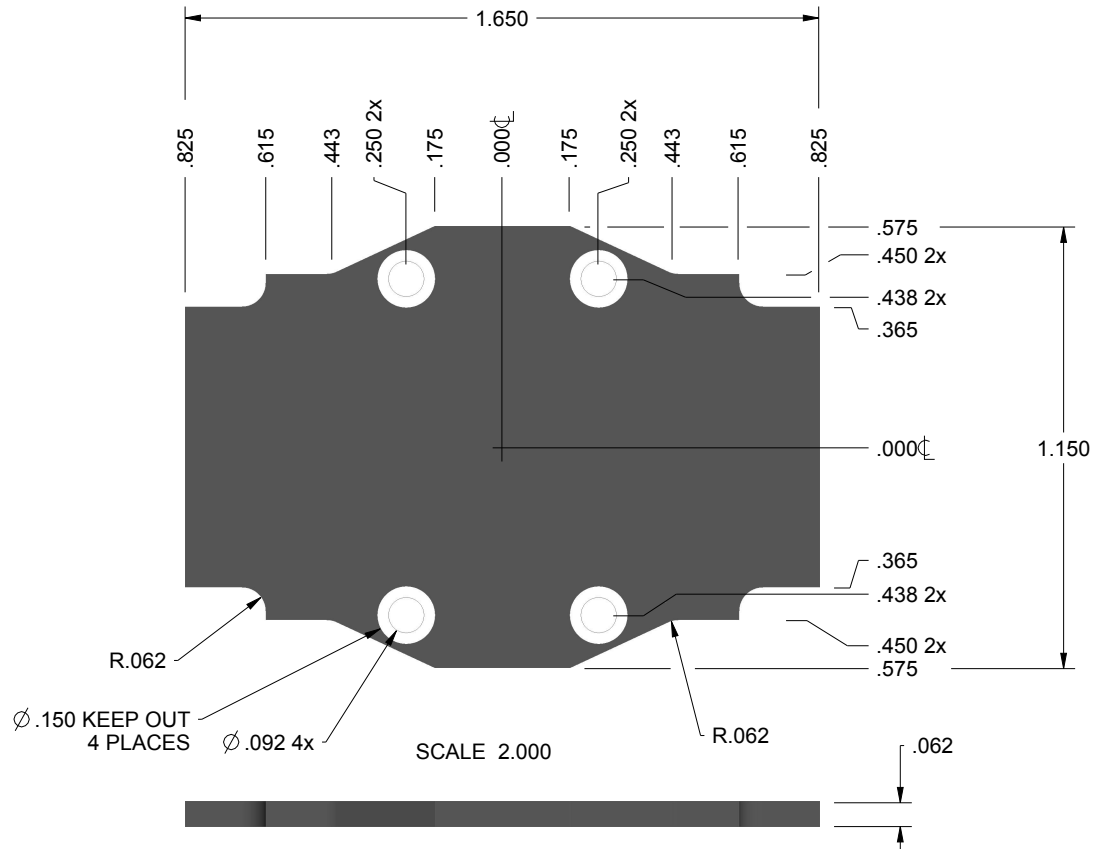
2240 South Thornburg Street Santa Maria, CA. 93455
ph. (805) 595-1310 fax (805) 595-1024
www.newageenclosures.com

ELEC. HOUSING - STANDARD
PXX-191508X-XXX

SIZE A DRAWING NAME 191508_R1_0

SHEET 4 OF 6 REV.DOC 1.0

191508 PCB - CUSTOMER SUPPLIED
 PCB SIZES ARE RECOMMENDATIONS ONLY. FINAL
 SIZES AND VERIFICATION OF IT'S FIT ARE THE
 SOLE RESPONSIBILITY OF THE OEM.



TOLERANCES- UNLESS OTHERWISE SPECIFIED
 DIMENSIONS ARE IN U.S. INCHES.
 X.XX = .015 X.XXXX = .001
 X.XXX = .010 X.X° = 1°

APPROVAL		BY	DATE
CHECK			
ENG.			
SCALE		AS NOTED	
DRAWN BY			
M BOYER		2011-Apr-06	

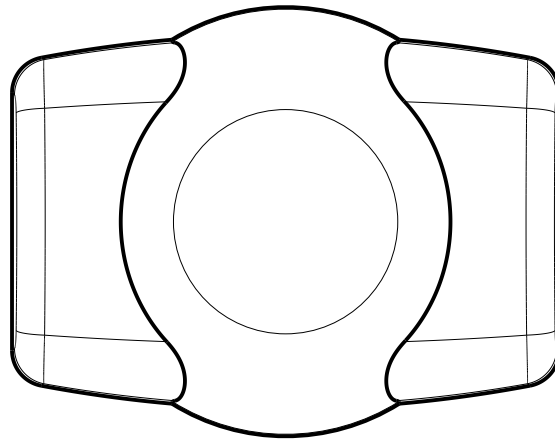
NEW AGE ENCLOSURES
 2240 South Thornburg Street Santa Maria, CA. 93455
 ph. (805) 595-1310 fax (805) 595-1024
www.newageenclosures.com

ELEC. HOUSING - STANDARD
 PXX-191508X-XXX

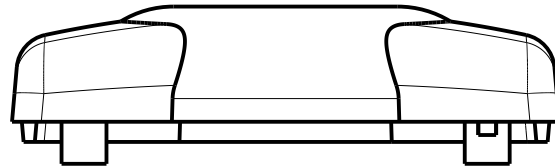
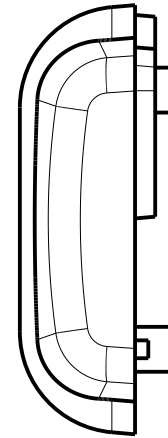
SIZE	DRAWING NAME	SHEET	REV.DOC
A	191508_R1_0	5 OF 6	1.0

2nd OPERATION DETAILS

NEW AGE ENCLOSURES DELIVERS YOUR ENCLOSURE MARKET-READY WITH IN-HOUSE
 CNC MACHINING, PAD PRINTING, ASSEMBLY, AND FULFILLEMENT.
 ALL SURFACES AND AREAS ARE AVAILABLE FOR CNC ALTERATION BY NEW AGE ENCLOSURES
 CALL (805) 595-1310 FOR PRICING AND SCHEDULE.
 THE INSIDE RADIUS OF ANY MACHINED FEATURES SHOULD BE NO SMALLER THAN .031"



SCALE 1.500



TOLERANCES: UNLESS OTHERWISE SPECIFIED
 DIMENSIONS ARE IN U.S. INCHES.
 X.XX = .015 X.XXXX = .001
 X.XXX = .010 X.X° = 1°

NEW AGE ENCLOSURES

Customer's Part No: 181508X

NEW AGE ENCLOSURES

2240 South Thornburg Street Santa Maria, CA. 93455
 ph. (805) 595-1310 fax (805) 595-1024

www.newageenclosures.com

PXX-191508-XXX COVER - ABS, BLACK					
STEP	DESCRIPTION	CUTTER	FIXTURE	ORIENTATION	PROGRAM
1-C-C1	-	T2 = .062" EM	300	-	o1001
2-C-C2	-	T2 = .062" EM	300	-	o1002

APPROVAL	BY	DATE
CHECK		
ENG.		
SCALE	AS NOTED	
DRAWN BY	M BOYER	
	2011-Apr-06	

ELEC. HOUSING - STANDARD
 PXX-191508X-XXX

SIZE	DRAWING NAME	SHEET	REV.DOC
A	191508_R1_0	6 OF 6	1.0