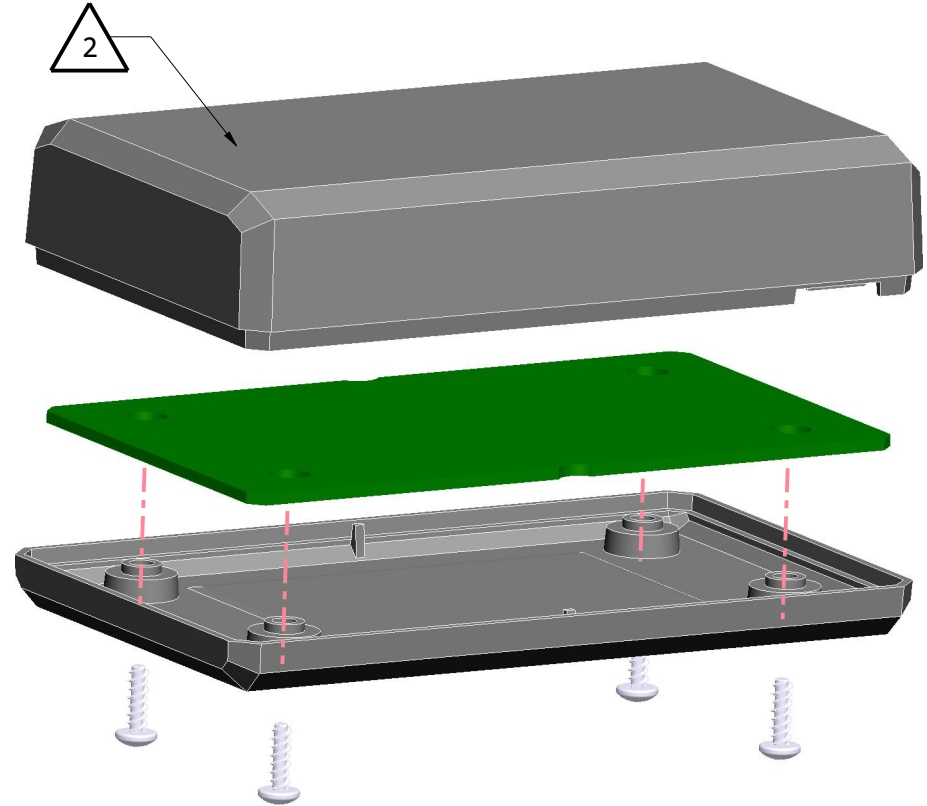


NOTES: UNLESS OTHERWISE SPECIFIED

- CORNERS DRAWN SHARP TO BE R.005 MAXIMUM.
- EXTERIOR SURFACE TEXTURE TO BE EQUIVALENT TO MT-11020. TEXTURE ON ENCLOSURE WILL VARY FROM TIME TO TIME AS THE TOOL WEARS AND IT BECOMES NECESSARY TO REAPPLY.
- INTERIOR SURFACE TEXTURE TO BE: NONE.
- ALL INSIDE RADII .010R. UNLESS OTHERWISE SPECIFIED.
- ALL EXTERNAL DIMENSIONS AFFECTED BY THE DRAFT APPLY AT THE LARGE END OF THE FEATURE, AND ALL INTERNAL FEATURES AFFECTED BY THE DRAFT APPLY AT THE SMALL END OF THE FEATURE UNLESS OTHERWISE SPECIFIED.
- ONE DEGREE DRAFT IN THE DIRECTION OF PULL IS PERMISSIBLE UNLESS OTHERWISE SPECIFIED.
- MATERIAL / COLOR: ABS PLASTIC IS STANDARD IN BLACK OR WHITE. CUSTOM MATERIALS AND COLORS ARE AVAILABLE UPON REQUEST FOR QUOTE. ALTERNATE RESINS HAVE DIFFERENT SHRINK RATES, AND WILL EFFECT DIMENSIONS.
- PCB SIZES ARE RECOMMENDATIONS ONLY. FINAL SIZES AND VERIFICATION OF ITS FIT ARE THE SOLE RESPONSIBILITY OF EACH CUSTOMER.
- ASSEMBLY SCREWS FOR THE ENCLOSURE INCLUDED.
- THIS DRAWING IS BASED ON A SOLID MODEL, AND IS FURTHER DEFINED BY THE SOLID MODEL FILE.
- ALLOWABLE FLASH: 0.010 MAX.
- ALL EJECTOR PIN MARKS TO BE WITHIN 0.010" OF FLUSH, PROTRUDING OR BELOW FLUSH.
- TRIM GATE WITHIN 0.030" OF FLUSH.


| R E V I S I O N | | | | | |
|-----------------|----------|--------|--|-------------|---------|
| REV. | DRAWN BY | ECO No | DESCRIPTION | DATE | APPROVE |
| A | M BOYER | DR1622 | PRELIMINARY RELEASE | 2023-Nov-01 | D.C. |
| B | M BOYER | | SMALLER CHAMFER AND REMOVE LABEL RECESS | 2023-Nov-08 | D.C. |
| C | M BOYER | | CHANGE NAME | 2023-Nov-13 | D.C. |
| D | M BOYER | | ADJUST ASSY POSTS | 2024-Jan-22 | D.C. |
| E | M BOYER | | ADD LABEL RECESS TO BASE | 2024-Apr-08 | D.C. |
| F | M BOYER | | CLARIFY TEXTURE | 2024-Jun-17 | J.T. |
| G | M BOYER | | ADDITIONAL DETAILS | 2024-Nov-19 | J.T. |
| 1.0 | M BOYER | 00325 | UPDATE TO AS BUILT PER DIR 2482 AND RELEASE TO MFG | 2025-Jan-14 | |



SCALE 1.000

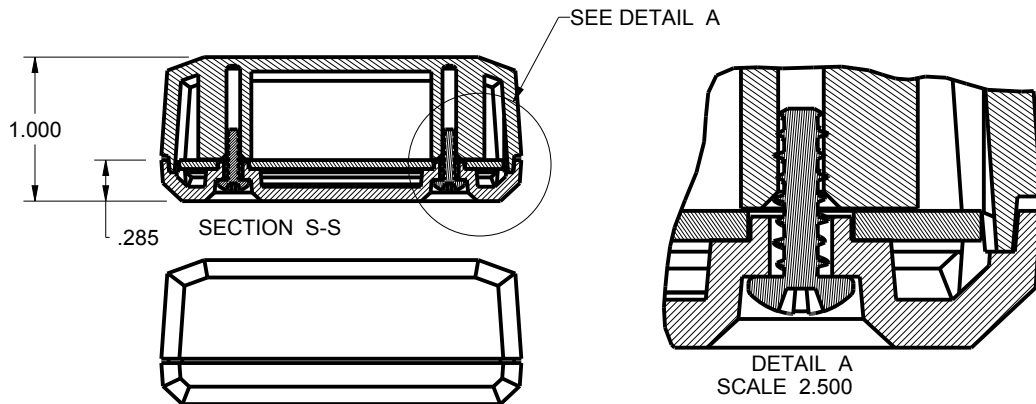
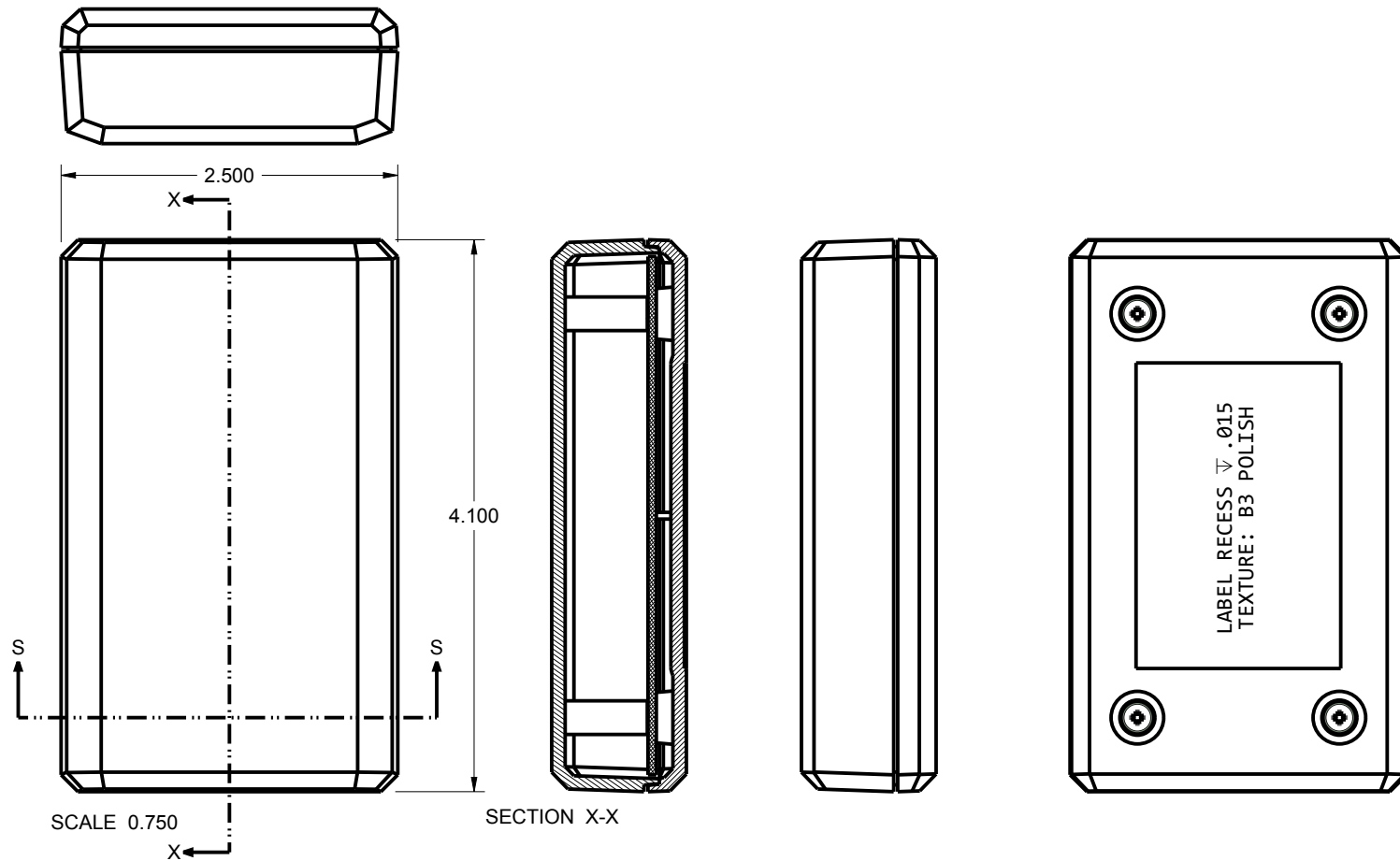
| ITEM | FILE NAME | DESCRIPTION | MATERIAL | COLOR | QTY. |
|------|----------------|-------------------------|-------------|-------------------|------|
| 4 | SCREW_HILO-N04 | #4 HiLo SCREW x .375" | ZINK PLATED | CUSTOMER SUPPLIED | 4 |
| 3 | 412510-PCB | 412510 PCB - REFERENCE | .062" THICK | CUSTOMER SUPPLIED | 1 |
| 2 | 412510-COVER | 412510 COVER - STANDARD | ABS | BLACK or WHITE | 1 |
| 1 | 412510-BASE | 412510 BASE - STANDARD | ABS | BLACK or WHITE | 1 |

BILL OF MATERIALS

| | | | | |
|---|--|---|--|-----------------------------|
| THIRD ANGLE PROJECTION  DO NOT SCALE DRAWING | TOLERANCES: UNLESS OTHERWISE SPECIFIED DIMENSIONS ARE IN U.S. INCHES. X.XX = .015 X.XXXX = .001 X.XXX = .010 X.X" = 1" | | NEW AGE ENCLOSURES 2240 South Thornburg Street Santa Maria, CA. 93455 ph. (855) 462-3625 fax (805) 595-1024 www.newageenclosures.com | |
| | NEW AGE ENCLOSURES Customer's Part No: 412510 | | | |
| APPROVAL BY DATE CHECK _____ ENG. _____ SCALE AS NOTED | | STANDARD - MEDIUM PROJECT SXX-412510-XXX | | SHEET 1 OF 6 REV.DOC 1.0 |
| DRAWN BY M BOYER DATE 2023-Nov-01 | | SIZE A DRAWING NAME 412510_R1_0 | | |

NOTICE: THE INFORMATION AND DATA CONTAINED HEREIN IS CONSIDERED PROPRIETARY TO ALLTEC INTEGRATED MFG INC & SHALL REMAIN THE EXCLUSIVE PROPERTY OF ALLTEC INTEGRATED MFG INC. THE HOLDER WILL ASSUME CUSTODY AND CONTROL THAT THIS DOCUMENT WILL NOT BE COPIED, REPRODUCED, OR DISCLOSED WITHOUT THE EXPRESS WRITTEN CONSENT OF ALLTEC INTEGRATED MFG INC. POSSESSION OF THIS DOCUMENT DOES NOT CONSTITUTE A GRANT TO MANUFACTURE ANY ITEMS.
© 2024

412510 ASSEMBLY



TOLERANCES: UNLESS OTHERWISE SPECIFIED
DIMENSIONS ARE IN U.S. INCHES.
X.XX = .015 X.XXXX = .001
X.XXX = .010 X.X° = 1°

NEW AGE ENCLOSURES
Customer's Part No: 412510

| | | |
|----------|----------|------|
| APPROVAL | BY | DATE |
| CHECK | | |
| ENG. | | |
| SCALE | AS NOTED | |

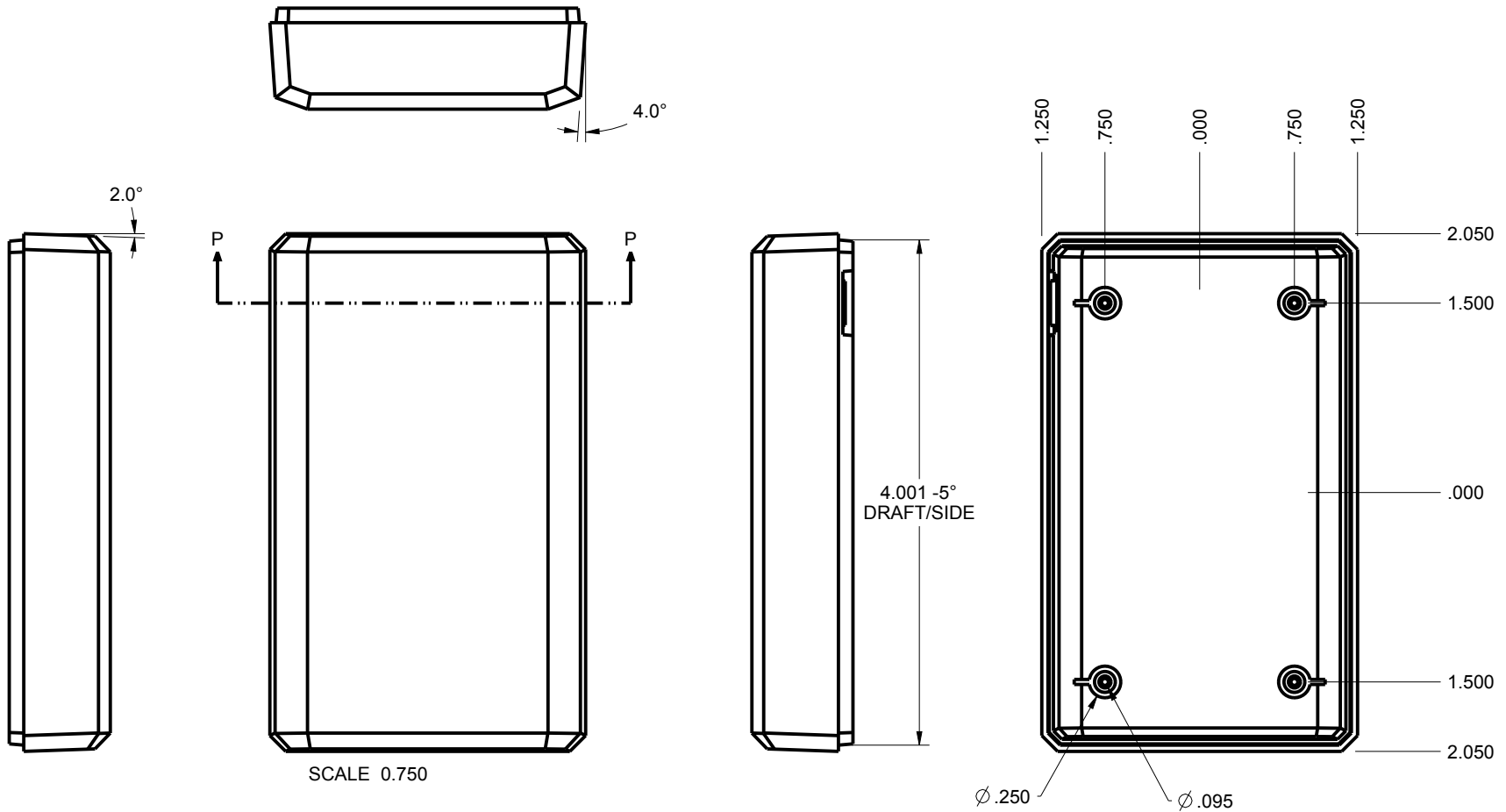
DRAWN BY
M BOYER 2023-Nov-01

NEW AGE ENCLOSURES
2240 South Thornburg Street Santa Maria, CA. 93455
ph. (855) 462-3625 fax (805) 595-1024
www.newageenclosures.com

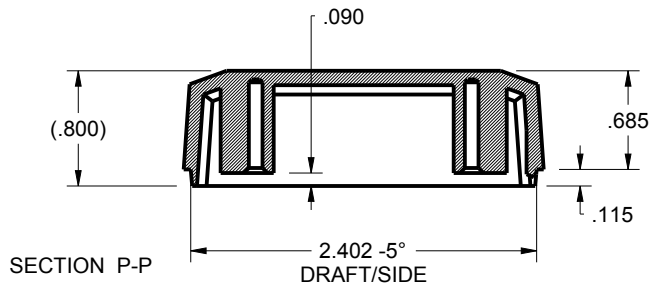
STANDARD - MEDIUM PROJECT
SXX-412510-XXX

| | | | |
|-----------|-----------------------------|-----------------|----------------|
| SIZE A | DRAWING NAME 412510_R1_0 | SHEET 2 OF 6 | REV.DOC 1.0 |
|-----------|-----------------------------|-----------------|----------------|

412510 COVER



SCALE 0.750



TOLERANCES: UNLESS OTHERWISE SPECIFIED
DIMENSIONS ARE IN U.S. INCHES.
X.XX = .015 X.XXXX = .001
X.XXX = .010 X.X° = 1°

NEW AGE ENCLOSURES
Customer's Part No: 412510

| | | |
|----------|----------|------|
| APPROVAL | BY | DATE |
| CHECK | | |
| ENG. | | |
| SCALE | AS NOTED | |

DRAWN BY
M BOYER 2023-Nov-01

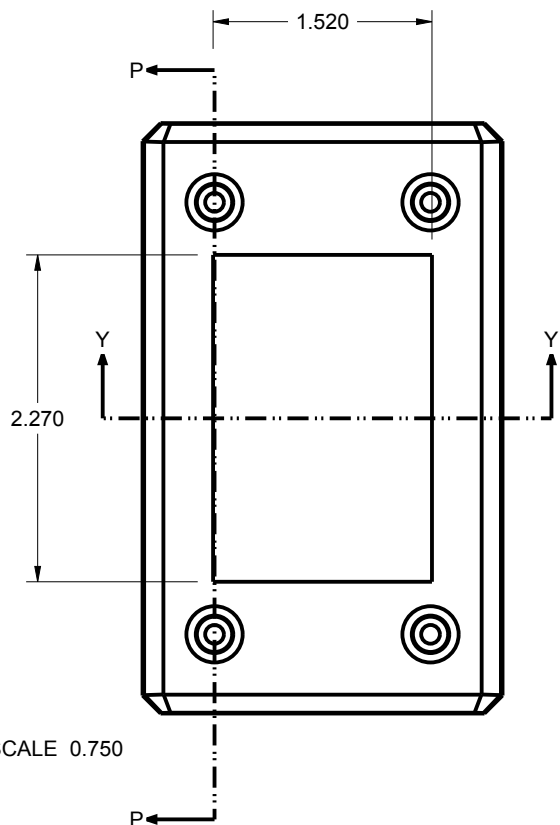
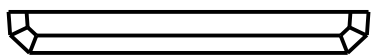
NEW AGE ENCLOSURES
2240 South Thornburg Street Santa Maria, CA. 93455
ph. (855) 462-3625 fax (805) 595-1024
www.newageenclosures.com

STANDARD - MEDIUM PROJECT
SXX-412510-XXX

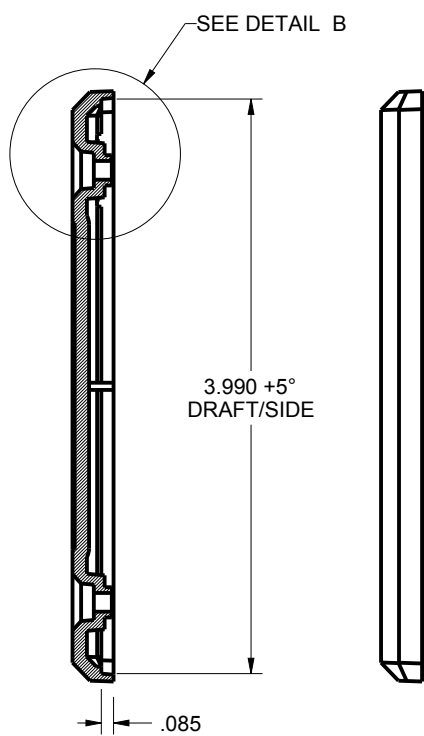
SIZE A DRAWING NAME 412510_R1_0

SHEET 3 OF 6 REV.DOC 1.0

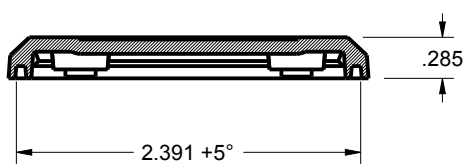
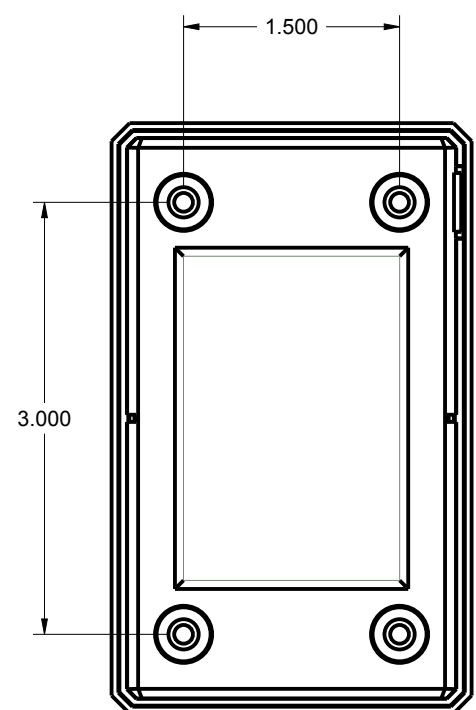
412510 BASE



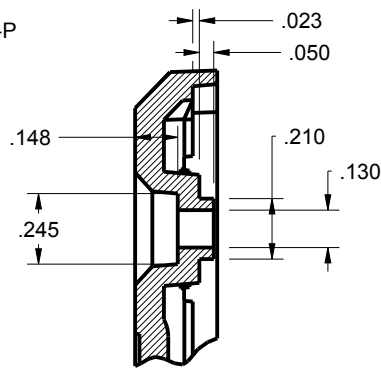
SCALE 0.750



SECTION P-P



SECTION Y-Y



DETAIL B
SCALE 1.500

TOLERANCES: UNLESS OTHERWISE SPECIFIED
DIMENSIONS ARE IN U.S. INCHES.
X.XX = .015 X.XXXX = .001
X.XXX = .010 X.X° = 1°

| | | | |
|---------------------|--|----------|------|
| APPROVAL | | BY | DATE |
| CHECK | | | |
| ENG. | | | |
| SCALE | | AS NOTED | |
| DRAWN BY M BOYER | | | |
| 2023-Nov-01 | | | |

NEW AGE ENCLOSURES
2240 South Thornburg Street Santa Maria, CA. 93455
ph. (855) 462-3625 fax (805) 595-1024
www.newageenclosures.com

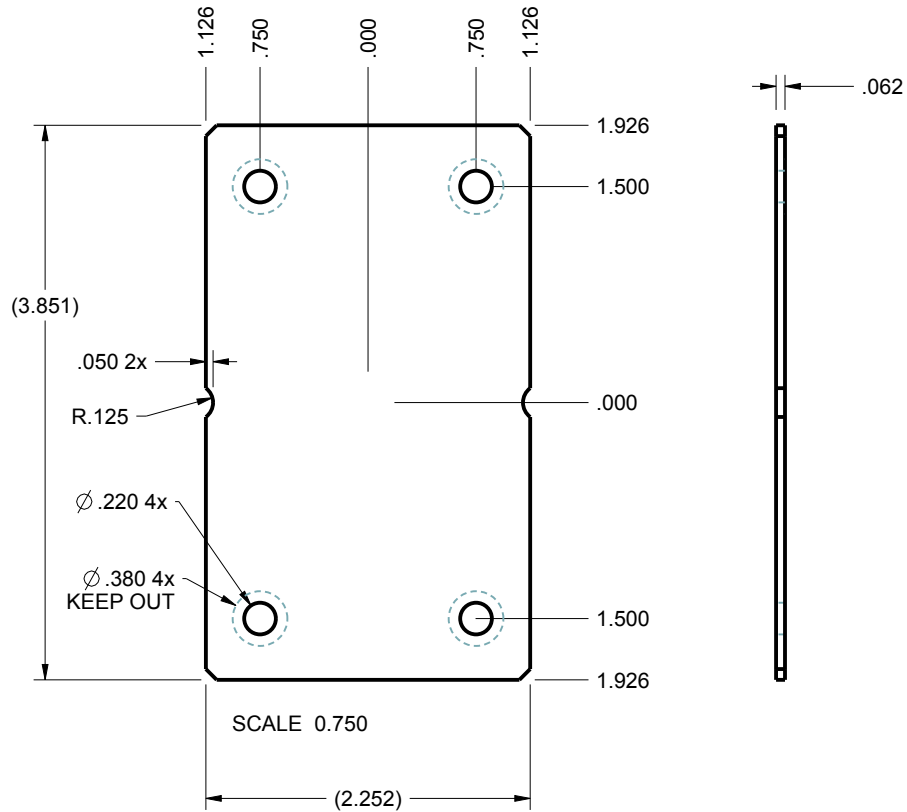
Customer's Part No: 412510

STANDARD - MEDIUM PROJECT
SXX-412510-XXX

| | | | |
|-----------|-----------------------------|-----------------|----------------|
| SIZE A | DRAWING NAME 412510_R1_0 | SHEET 4 OF 6 | REV.DOC 1.0 |
|-----------|-----------------------------|-----------------|----------------|

412510 PCB - CUSTOMER SUPPLIED

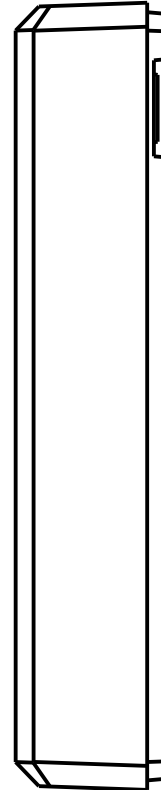
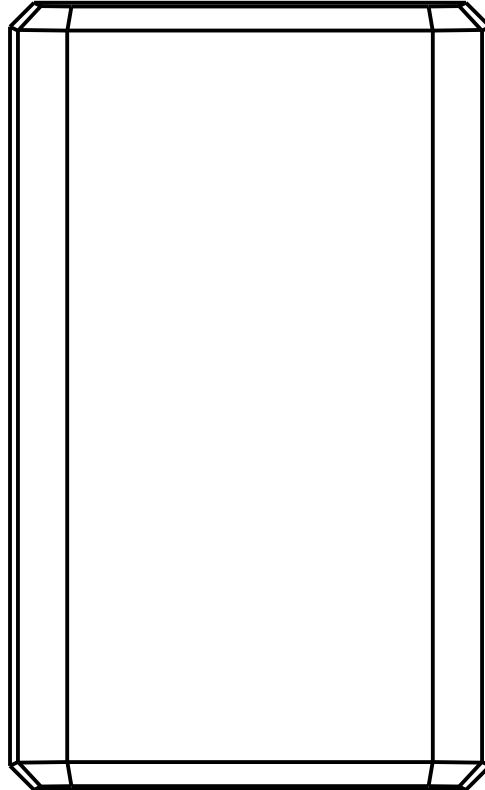
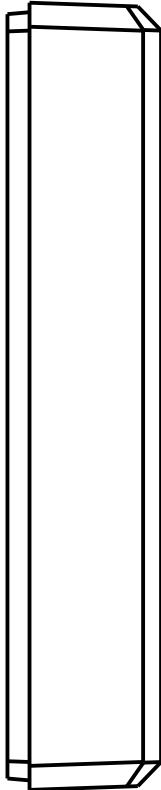
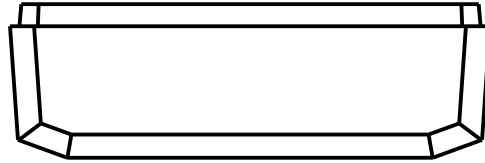
PCB SIZES ARE RECOMMENDATIONS ONLY. FINAL SIZES AND VERIFICATION OF ITS FIT ARE THE SOLE RESPONSIBILITY OF THE OEM.



| | | | | |
|--|----------|---|---|---------|
| TOLERANCES - UNLESS OTHERWISE SPECIFIED DIMENSIONS ARE IN U.S. INCHES. X.XX = .015 X.XXXX = .001 X.XXX = .010 X.X° = 1° | | NEW AGE ENCLOSURES | | |
| NEW AGE ENCLOSURES | | 2240 South Thornburg Street Santa Maria, CA. 93455 ph. (855) 462-3625 fax (805) 595-1024 www.newageenclosures.com | | |
| Customer's Part No: 412510 | | | | |
| APPROVAL | BY | DATE | STANDARD - MEDIUM PROJECT SXX-412510-XXX | |
| CHECK | | | | |
| ENG. | | | | |
| SCALE | AS NOTED | | | |
| DRAWN BY | SIZE | DRAWING NAME | SHEET | REV.DOC |
| M BOYER | A | 412510_R1_0 | 5 OF 6 | 1.0 |
| | | 2023-Nov-01 | | |

412510 2nd OPERATION - PAGE 1 of 1

NEW AGE ENCLOSURES DELIVERS YOUR ENCLOSURE MARKET-READY WITH IN-HOUSE CNC MACHINING, PAD PRINTING, ASSEMBLY, AND FULFILLMENT. ALL SURFACES AND AREAS ARE AVAILABLE FOR CNC ALTERATION BY NEW AGE ENCLOSURES CALL (855) 462-3625 FOR PRICING AND SCHEDULE. THE INSIDE RADIUS OF ANY MACHINED FEATURES SHOULD BE NO SMALLER THAN .031"



SCALE 1.000

TOLERANCES: UNLESS OTHERWISE SPECIFIED DIMENSIONS ARE IN U.S. INCHES.
 X.XX = .015 X.XXXX = .001
 X.XXX = .010 X.X° = 1°

NEW AGE ENCLOSURES

Customer's Part No: 412510

NEW AGE ENCLOSURES

2240 South Thornburg Street Santa Maria, CA. 93455
 ph. (855) 462-3625 fax (805) 595-1024

www.newageenclosures.com

STANDARD - MEDIUM PROJECT
 SXX-412510-XXX

| SXX-412510-XXX COVER - ABS, BLACK | | | | | |
|-----------------------------------|-------------|---------------|---------|-------------|---------|
| STEP | DESCRIPTION | CUTTER | FIXTURE | ORIENTATION | PROGRAM |
| 1-C-C1 | - | T2 = .062" EM | - | - | o1001 |
| 2-C-C2 | - | T2 = .062" EM | - | - | o1002 |

| | | |
|----------|-------------|------|
| APPROVAL | BY | DATE |
| CHECK | | |
| ENG. | | |
| SCALE | AS NOTED | |
| DRAWN BY | M BOYER | |
| | 2023-Nov-01 | |

| | | | |
|------|--------------|--------|---------|
| SIZE | DRAWING NAME | SHEET | REV.DOC |
| A | 412510_R1_0 | 6 OF 6 | 1.0 |