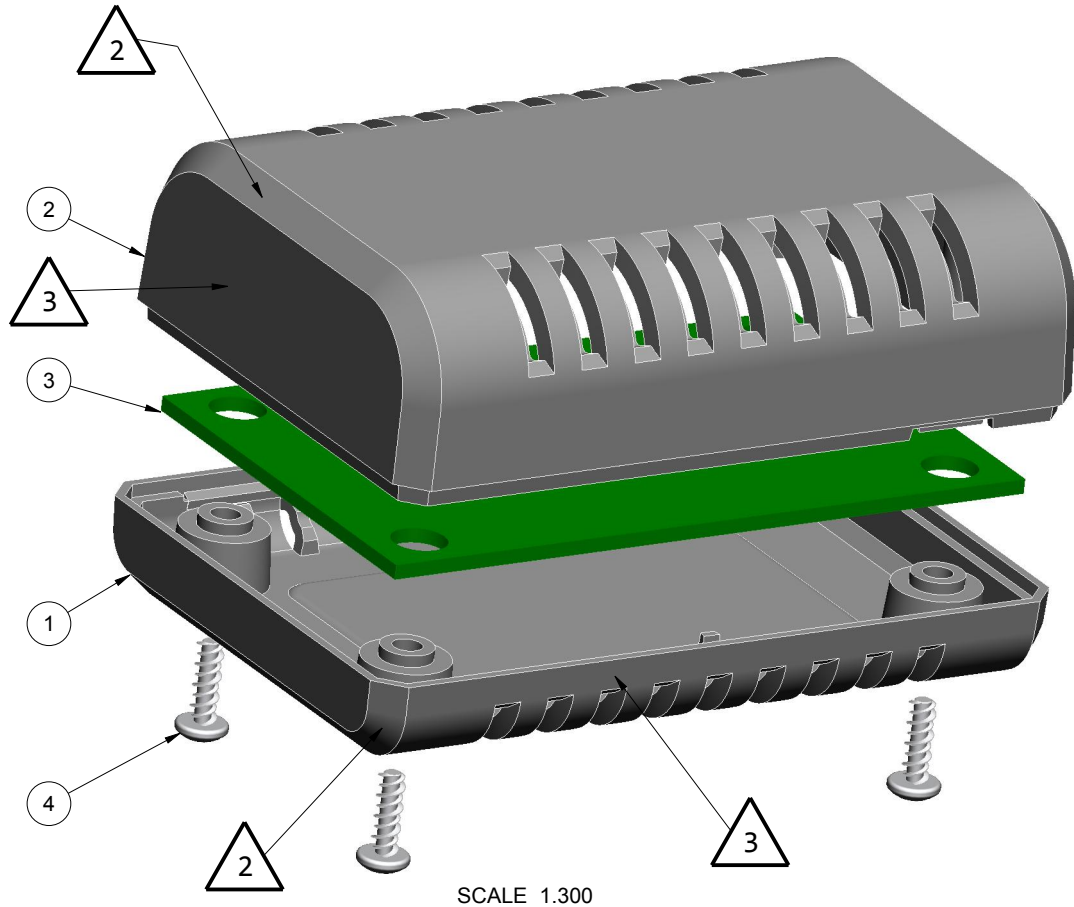



NOTES: UNLESS OTHERWISE SPECIFIED

1. CORNERS DRAWN SHARP TO BE R.005 MAXIMUM.
2. EXTERIOR CHAMFERED SURFACES TEXTURE TO BE EQUIVALENT TO B1 POLISH.
3. EXTERIOR SURFACE TEXTURE TO BE EQUIVALENT TO MT-11020 EXCEPT WHERE NOTED. TEXTURE ON ENCLOSURE WILL VARY FROM TIME TO TIME AS THE TOOL WEARS AND IT BECOMES NECESSARY TO REAPPLY.
4. INTERIOR SURFACE TEXTURE TO BE: NONE.
5. ALL INSIDE RADII .010R. UNLESS OTHERWISE SPECIFIED.
6. ONE DEGREE DRAFT IN THE DIRECTION OF PULL IS PERMISSIBLE UNLESS OTHERWISE SPECIFIED.
7. MATERIAL / COLOR: ABS PLASTIC IS STANDARD IN BLACK OR WHITE. CUSTOM MATERIALS AND COLORS ARE AVAILABLE UPON REQUEST FOR QUOTE. ALTERNATE RESINS HAVE DIFFERENT SHRINK RATES, AND WILL EFFECT DIMENSIONS.
8. PCB SIZES ARE RECOMMENDATIONS ONLY. FINAL SIZES AND VERIFICATION OF ITS FIT ARE THE SOLE RESPONSIBILITY OF EACH CUSTOMER.
10. ASSEMBLY SCREWS FOR THE ENCLOSURE INCLUDED.
11. THIS DRAWING IS BASED ON A SOLID MODEL, AND IS FURTHER DEFINED BY THE SOLID MODEL FILE.
12. ALLOWABLE FLASH: 0.010 MAX.
13. ALL EJECTOR PIN MARKS TO BE WITHIN 0.010" OF FLUSH, PROTRUDING OR BELOW FLUSH.
14. TRIM GATE WITHIN 0.030" OF FLUSH.

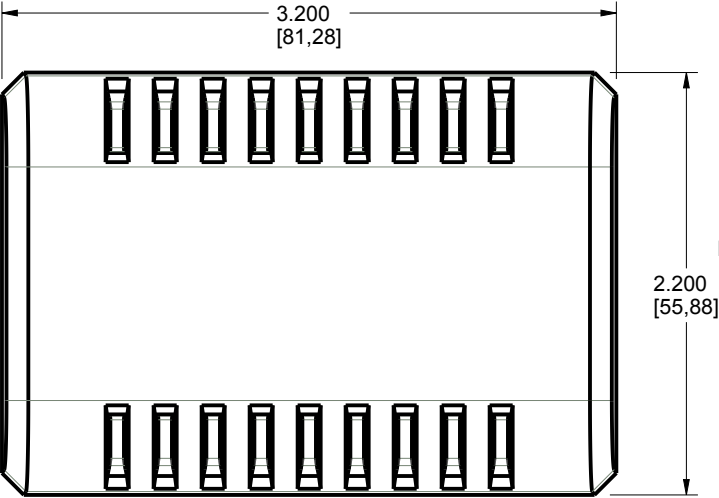
R E V I S I O N					
REV.	DRAWN BY	ECO No	DESCRIPTION	DATE	APPROVE
A	M BOYER	DRxxx	PRELIMINARY RELEASE	2023-Apr-17	D.C.
B	M BOYER		REVISE PER MARKUP 230516 - PN CHANGE FROM 302012	2023-Jul-27	D.C.
C	M BOYER		REVISE PER MARKUP 231204	2023-Dec-05	D.C.
D	M BOYER		T1 UPDATE AND TEXTURE	2024-Apr-09	D.C.
E	M BOYER		REDEFINE TEXTURE AFTER 240613 REVIEW	2024-Jun-17	J.T.
F	M BOYER		REFINE DRAWING DETAILS	2024-Nov-18	G.M.
1.0	M BOYER	00425	UPDATE TO AS BUILT PER DIR 2481 AND RELEASE TO MFG	2025-Jan-15	



THIRD ANGLE PROJECTION  DO NOT SCALE DRAWING	TOLERANCES: UNLESS OTHERWISE SPECIFIED DIMENSIONS ARE IN U.S. INCHES. X.XX = .015 X.XXXX = .001 X.XXX = .010 X.X" = 1"		NEW AGE ENCLOSURES 2240 South Thornburg Street Santa Maria, CA. 93455 ph. (855) 462-3625 fax (805) 595-1024 www.newageenclosures.com	
	NEW AGE ENCLOSURES Customer's Part No: 322212		STANDARD - VENTED UTILITY SXX-322212-XXX	
APPROVAL	BY	DATE	DRAWN BY	SIZE
CHECK			M BOYER	A
ENG.				
SCALE	AS NOTED			
DRAWN BY M BOYER			DATE 2023-Apr-17	SHEET 1 OF 6
DRAWING NAME 322212_R1_0			REV.DOC 1.0	

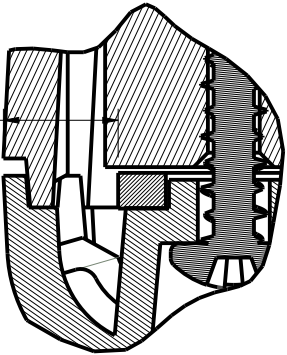
ITEM	FILE NAME	DESCRIPTION	MATERIAL	COLOR	QTY.
4	SCREW_HILO-N04X375	#4 HILO SCREW x .375"	ZINK PLATED	NATURAL	4
3	322212-PCB	322212 PCB - REFERENCE	REFERENCE	CUSTOMER SUPPLIED	1
2	322212-COVER	322212 COVER - STANDARD	ABS	BLACK or WHITE	1
1	322212-BASE	322212 BASE - STANDARD	ABS	BLACK or WHITE	1
BILL OF MATERIALS					

322212 ASSEMBLY

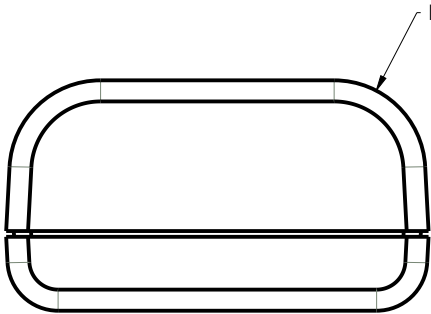


SCALE 1.000

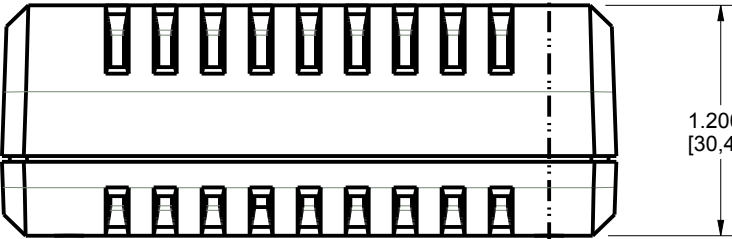
(.199)
[5,06]
EDGE TO PCB



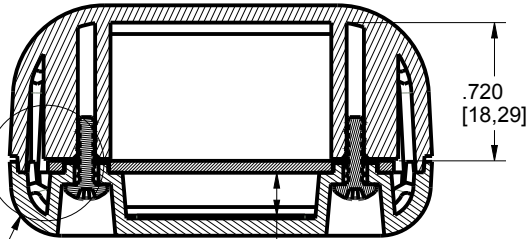
DETAIL A
SCALE 3.000



R.475
[12,06]



1.200
[30,48]



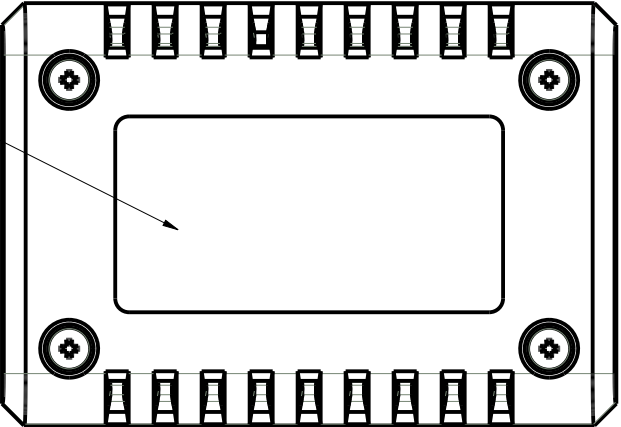
.720
[18,29]

SECTION S-S

.223
[5,664]

SEE DETAIL A

LABEL RECESS
TEXTURE B3 POLISH



TOLERANCES: UNLESS OTHERWISE SPECIFIED
DIMENSIONS ARE IN U.S. INCHES.
X.XX = .015 X.XXXX = .001
X.XXX = .010 X.X° = 1°

NEW AGE ENCLOSURES

2240 South Thornburg Street Santa Maria, CA. 93455
ph. (855) 462-3625 fax (805) 595-1024
www.newageenclosures.com

NEW AGE ENCLOSURES
Customer's Part No: 322212

APPROVAL	BY	DATE
CHECK		
ENG.		
SCALE	AS NOTED	

STANDARD - VENTED UTILITY
SXX-322212-XXX

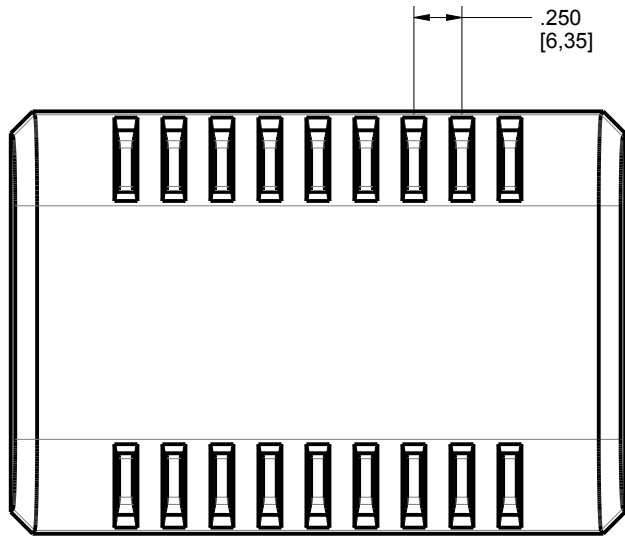
DRAWN BY
M BOYER 2023-Apr-17

SIZE
A 322212_R1_0

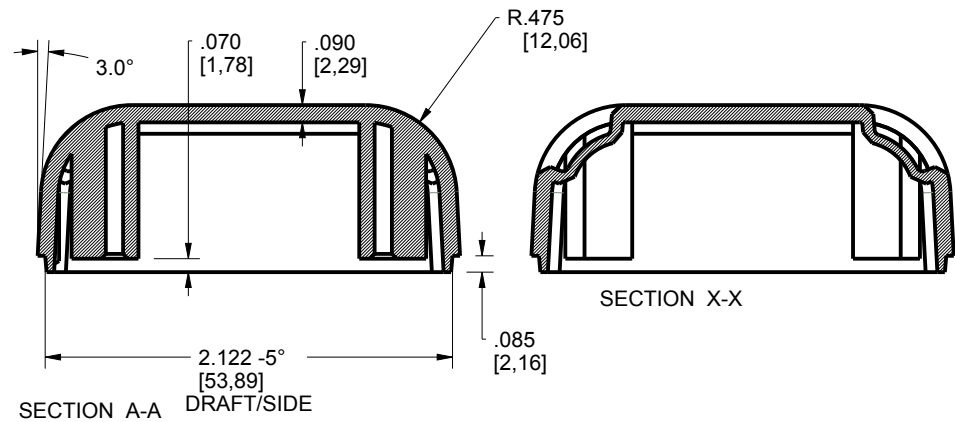
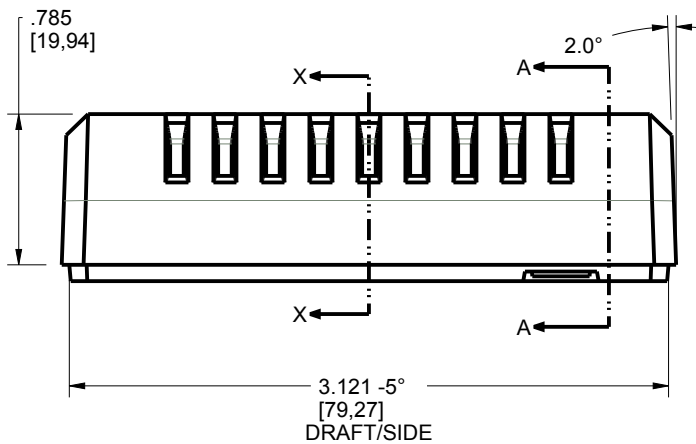
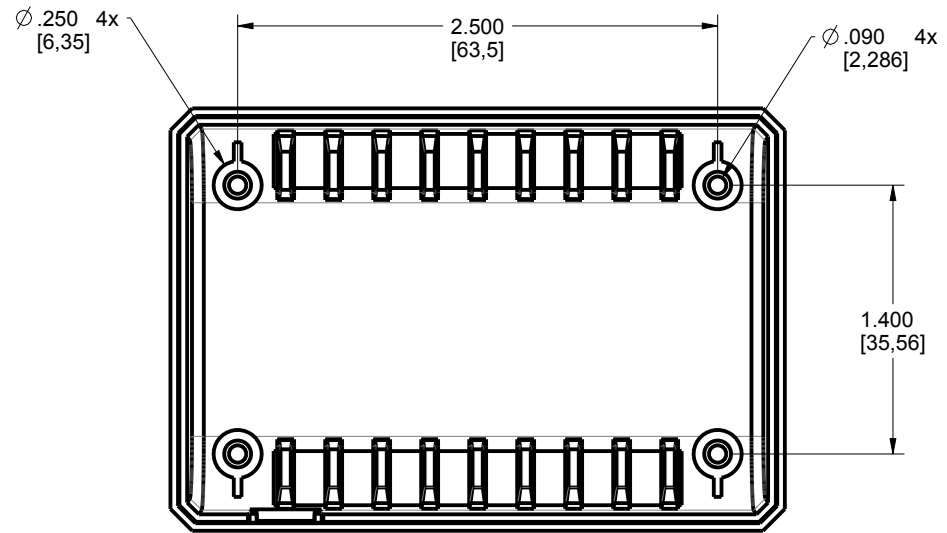
SHEET
2 OF 6

REV.DOC
1.0

322212 COVER



SCALE 1.000



TOLERANCES: UNLESS OTHERWISE SPECIFIED
DIMENSIONS ARE IN U.S. INCHES.
X.XX = .015 X.XXXX = .001
X.XXX = .010 X.X° = 1°

NEW AGE ENCLOSURES
Customer's Part No: 322212

APPROVAL BY DATE
CHECK
ENG.
SCALE AS NOTED

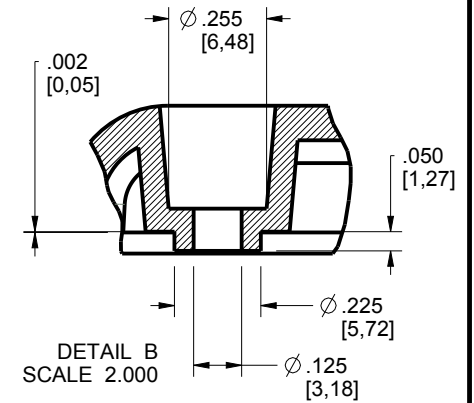
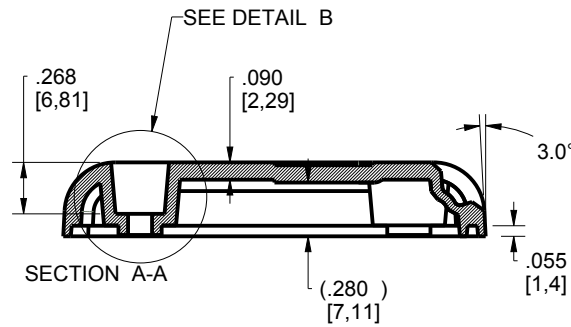
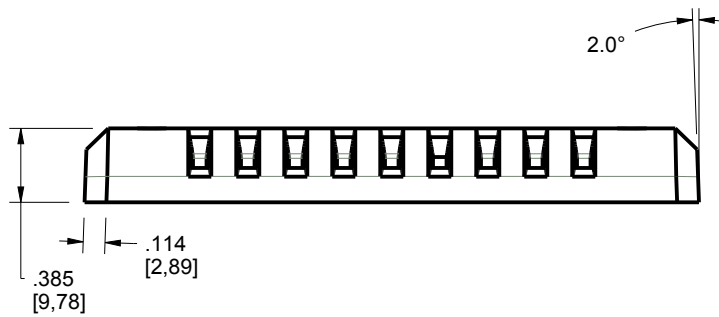
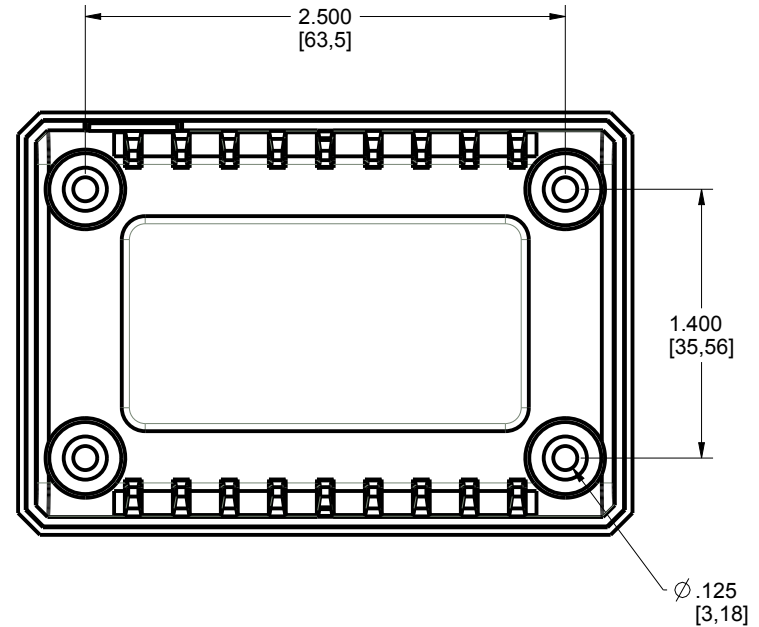
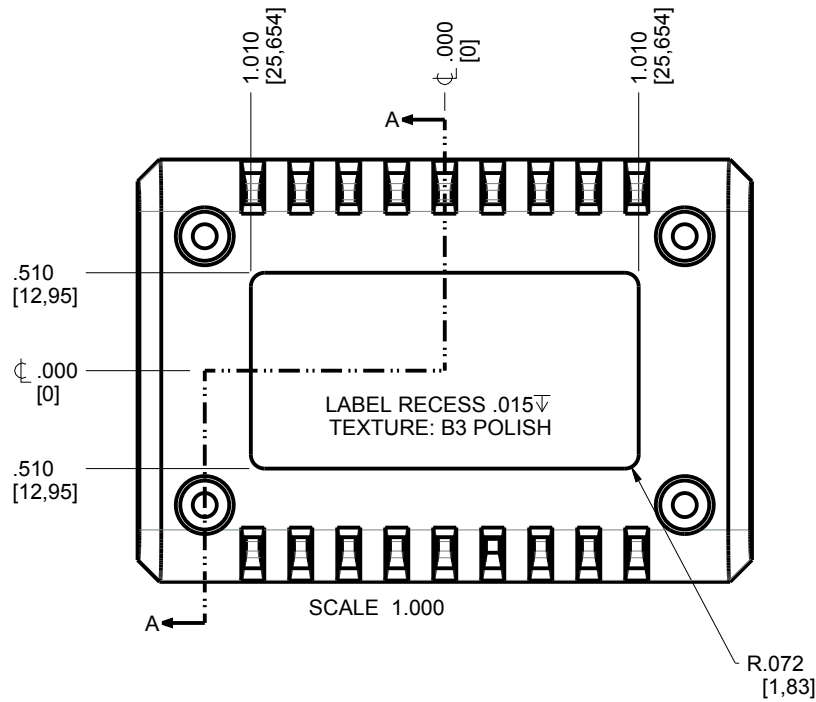
DRAWN BY M BOYER 2023-Apr-17

NEW AGE ENCLOSURES
2240 South Thornburg Street Santa Maria, CA. 93455
ph. (855) 462-3625 fax (805) 595-1024
www.newageenclosures.com

STANDARD - VENTED UTILITY
SXX-322212-XXX

SIZE A DRAWING NAME 322212_R1_0 SHEET 3 OF 6 REV.DOC 1.0

322212 BASE



TOLERANCES: UNLESS OTHERWISE SPECIFIED
DIMENSIONS ARE IN U.S. INCHES.

X.XX = .015 X.XXXX = .001
X.XXX = .010 X.X° = 1°

NEW AGE ENCLOSURES
Customer's Part No: 322212

APPROVAL	BY	DATE
CHECK		
ENG.		
SCALE	AS NOTED	
DRAWN BY	M BOYER	
	2023-Apr-17	

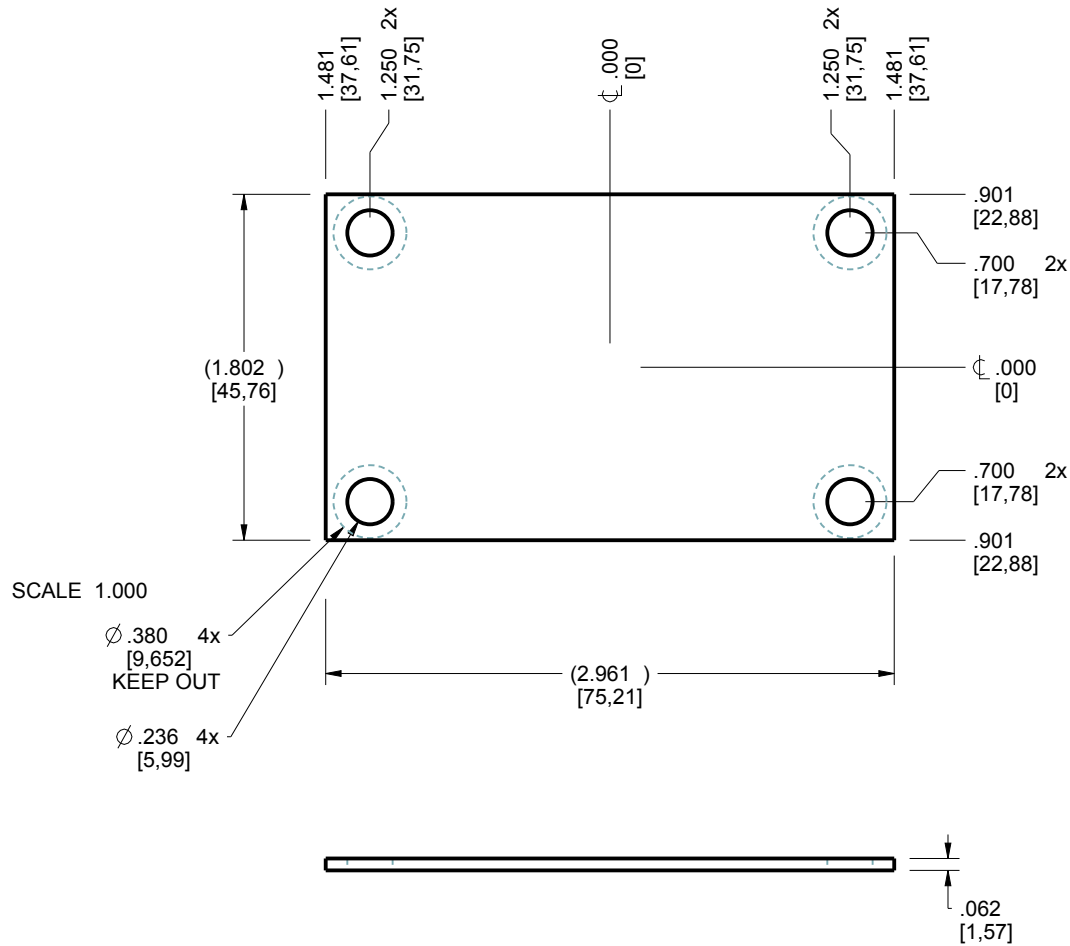
NEW AGE ENCLOSURES
2240 South Thornburg Street Santa Maria, CA. 93455
ph. (855) 462-3625 fax (805) 595-1024
www.newageenclosures.com

**STANDARD - VENTED UTILITY
SXX-322212-XXX**

SIZE	DRAWING NAME	SHEET	REV.DOC
A	322212_R1_0	4 OF 6	1.0

322212 PCB - CUSTOMER SUPPLIED

PCB SIZES ARE RECOMMENDATIONS ONLY. FINAL SIZES AND VERIFICATION OF ITS FIT ARE THE SOLE RESPONSIBILITY OF THE OEM.



TOLERANCES: UNLESS OTHERWISE SPECIFIED
DIMENSIONS ARE IN U.S. INCHES.
X.XX = .015 X.XXXX = .001
X.XXX = .010 X.X° = 1°

NEW AGE ENCLOSURES

Customer's Part No: 322212

APPROVAL BY DATE

CHECK

ENG.

SCALE AS NOTED

DRAWN BY M BOYER 2023-Apr-17

NEW AGE ENCLOSURES

2240 South Thornburg Street Santa Maria, CA. 93455
ph. (855) 462-3625 fax (805) 595-1024
www.newageenclosures.com

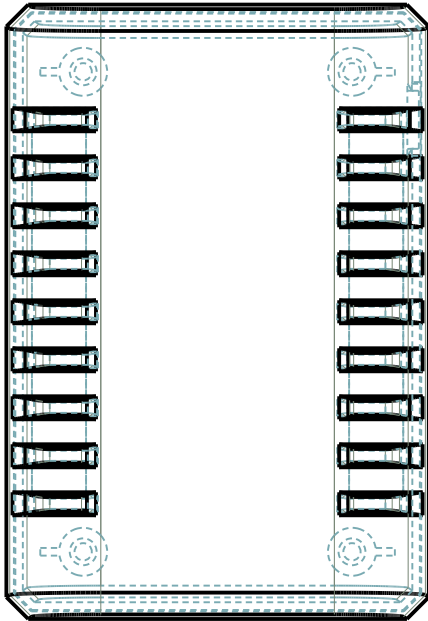
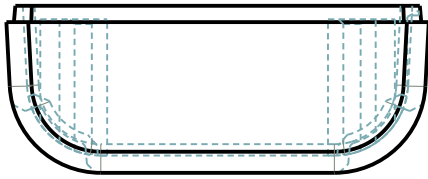
STANDARD - VENTED UTILITY
SXX-322212-XXX

SIZE A DRAWING NAME 322212_R1_0

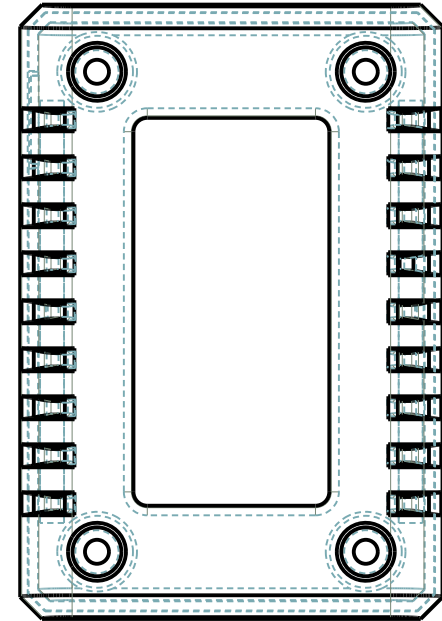
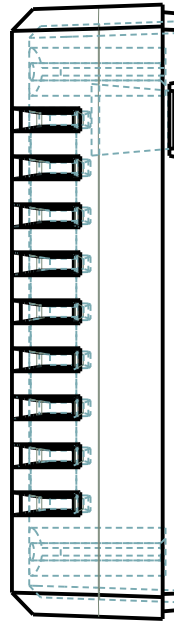
SHEET 5 OF 6 REV.DOC 1.0

322212 2nd OPERATION DETAILS

NEW AGE ENCLOSURES DELIVERS YOUR ENCLOSURE MARKET-READY WITH IN-HOUSE CNC MACHINING, PAD PRINTING, ASSEMBLY, AND FULFILLEMENT. ALL SURFACES AND AREAS ARE AVAILABLE FOR CNC ALTERATION BY NEW AGE ENCLOSURES CALL (855) 462-3625 FOR PRICING AND SCHEDULE. THE INSIDE RADIUS OF ANY MACHINED FEATURES SHOULD BE NO SMALLER THAN .031"



322212 COVER
SCALE 1.000



322212 BASE
SCALE 1.000

TOLERANCES: UNLESS OTHERWISE SPECIFIED
DIMENSIONS ARE IN U.S. INCHES.
X.XX = .015 X.XXXX = .001
X.XXX = .010 X.X° = 1°

NEW AGE ENCLOSURES

Customer's Part No: 322212

APPROVAL BY DATE

CHECK ENG.

SCALE AS NOTED

DRAWN BY M BOYER

2023-Apr-17

NEW AGE ENCLOSURES

2240 South Thornburg Street Santa Maria, CA. 93455
ph. (855) 462-3625 fax (805) 595-1024

www.newageenclosures.com

STANDARD - VENTED UTILITY
SXX-322212-XXX

SIZE A DRAWING NAME 322212_R1_0

SHEET 6 OF 6 REV.DOC 1.0

SXX-322212-XXX COVER - ABS, BLACK or WHITE

STEP	DESCRIPTION	CUTTER	FIXTURE	ORIENTATION	PROGRAM
1-C-C1	-	T2 = .062" EM	-	-	o1001
2-C-C2	-	T2 = .062" EM	-	-	o1002