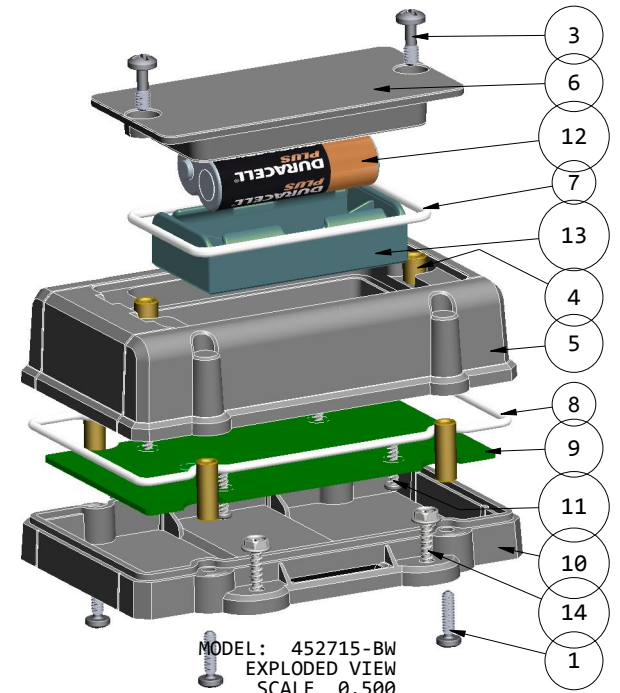
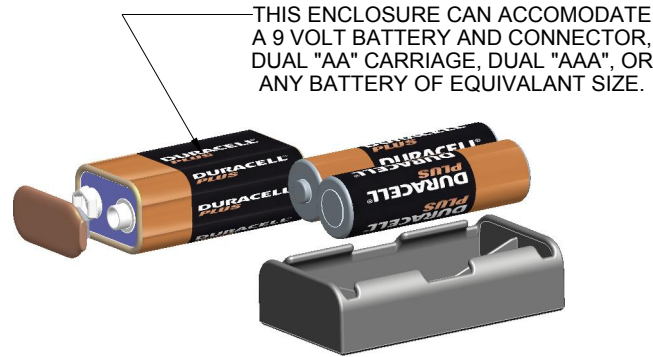


NOTES: UNLESS OTHERWISE SPECIFIED

- CORNERS DRAWN SHARP TO BE R.005 MAXIMUM.
- EXTERIOR SURFACE TEXTURE TO BE LIGHT EDM FINISH. EQUIVELANT TO MT-11020. CENTER PART TO BE POLISHED.
- INTERIOR SURFACE TEXTURE TO BE: NONE.
- ALL INSIDE RADII .010R. UNLESS OTHERWISE SPECIFIED.
- ALL EXTERNAL DIMENSIONS AFFECTED BY THE DRAFT APPLY AT THE LARGE END OF THE FEATURE, AND ALL INTERNAL FEATURES AFFECTED BY THE DRAFT APPLY AT THE SMALL END OF THE FEATURE UNLESS OTHERWISE SPECIFIED.
- 1 DEGREE DRAFT IN THE DIRECTION OF PULL IS PERMISSIBLE UNLESS OTHERWISE SPECIFIED.
- ASSEMBLY SCREWS FOR THE ENCLOSURE ARE INCLUDED. MOUNTING SCREWS FOR THE PCB AND WALL ARE SOLD SEPERATELY.
- MATERIAL / COLOR: ENCLOSURE IN ASA PLASTIC IS STANDARD IN BLACK OR GREY. SLIGHT COSMETIC SWIRLING, BLUSHING, AND/OR DISCOLORATION CAN OCCUR IN THIS ENCLOSURE DUE TO UV INHIBITORS IN THE RESIN. O-RING IN TPE IS STANDARD IN BLUE. CUSTOM MATERIALS AND COLORS ARE AVAILABLE UPON REQUEST FOR QUOTE.
- PCB SIZES ARE RECOMMENDATIONS ONLY. FINAL SIZES AND VERIFICATION OF ITS FIT ARE THE SOLE RESPONSIBILITY OF OEM.
- THIS ENCLOSURE IS CONSTRUCTED FOR INDOOR OR OUTDOOR USE TO PROVIDE A DEGREE OF PROTECTION TO THE EQUIPMENT INSIDE AGAINST THE INGRESS OF SOLID FOREIGN OBJECTS (FALLING DIRT); AND TO PROVIDE A DEGREE OF PROTECTION WITH RESPECT TO TO HARMFUL EFFECTS ON THE EQUIPMENT DUE TO THE INGRESS OF WATER (DRIPPING OR SPLASHING).

R E V I S I O N					
REV.	DRAWN BY	ECO No	DESCRIPTION	DATE	APPROVED
A	M BOYER		PRELIMINARY RELEASE	2010-Sep-17	D.C.
J	M BOYER		REMOVE SHOWN USB CUTOUT	27-Jan-12	D.C.
1.0	M BOYER		UPDATE TO AS-BUILT AND RELEASED TO MFG	23-May-12	D.C.
1.1	M BOYER	2612	REVISE STANDARD B.O.M. & INSERT SHEET 3	26-Jul-12	D.C.
2.0	R CRUZ	8513	UPDATE CONFIGURATION TABLE TO INCLUDE O-RINGS WITH ENCLOSURE	30-Dec-13	D.C.
2.1	R CRUZ	0414	UPDATE CONFIG TABLE - REMOVE BATTERY O-RING FROM -Sx CONFIGS	24-Jan-14	D.C.
2.2	M BOYER	1314	REVISE INSERT SIZE ON BOM	29-May-14	D.C.
3.0	M BOYER	1514	INCREASE ORING THICKNESS	02-Jul-14	D.C.
3.1	R CRUZ	02115	UPDATE NOTE 8	20-May-15	D.C.
4.0	R CRUZ	03115	CHANGED O-RING COLOR FROM NATURAL TO BLUE	07-Jul-15	D.C.
4.1	M BOYER	02516	INCLUDE NOTE 10	2016-May-04	D.C.
5.0	M BOYER	01718	CHANGE ORING TO BE OFF-THE-SHELF OR EQUIV.	2018-Jun-19	D.C.
5.1	M BOYER	00825	UPDATE SCREW LENGTH DESCRIPTION	2025-Jan-23	

452715(x) CONFIGURATIONS	-SW	-BS	-SS	-BW
452715 BATTERY COVER		1		1
452715 COVER (w/o BATTERY)	1		1	
452715 BASE		1	1	
452715 WALL BASE	1			1
452715 HATCH		1	1	1
6-32 PHILLIPS HEAD SCREW x .500"	4	4	4	4
8-32 PHILLIPS HEAD SCREW x .500"		2		2
6-32 x .281" OVERMOLD BRASS INSERT	4		4	
6-32 x .625" OVERMOLD BRASS INSERT		4		4
MAIN SEAL O-RING	1	1	1	1
BATTERY COMPARTMENT O-RING		1		1



14	No6 SHEET METAL SCREW x 1.00"	410 STAINLESS	CUSTOMER SUPPLIED	4
13	BATTERY CARRIAGE AA - REFERENCE	KEYST # 2463	CUSTOMER SUPPLIED	1
12	AA BATTERY - REFERENCE	"AA" BATTERY SIZE	CUSTOMER SUPPLIED	2
11	#4 HiLo x .250" SCREW	ZINK PLATED	SOLD SEPERATELY	4
10	452715 WALL BASE - STANDARD	ASA	BLACK or GRAY	1
9	452715 PCB - REFERENCE	.062" THICK	CUSTOMER SUPPLIED	1
8	452715 O-RING, MAIN SEAL	OR-156 or EQUIV.	INCLUDED	1
7	452715 O-RING, BATT COMP	OTS	INCLUDED	1
6	452715 HATCH - STANDARD	ASA	BLACK or GRAY	1
5	452715 BATTERY COVER - STANDARD	ASA	BLACK or GRAY	1
4	8-32 x .344" CLOSED-END INSERT	TRISTAR 832X344MC	OVER-MOLDED BRASS	2
3	8-32 SCREW x .500	STAINLESS STEEL - PHILLIPS	.500" LONG	2
2	6-32 x .625" INSERT	TRISTAR 632X625C	OVER-MOLDED BRASS	4
1	6-32 SCREW x .500	STAINLESS STEEL - PHILLIPS	.500" LONG	4
ITEM	DESCRIPTION	MATERIAL	COLOR	QTY.

BILL OF MATERIALS - Wall Base & Battery Cover
(See Sheet 3 for Standard Cover and Standard Base)

THIRD ANGLE PROJECTION
DO NOT SCALE DRAWING

TOLERANCES: UNLESS OTHERWISE SPECIFIED DIMENSIONS ARE IN U.S. INCHES.
X.XX = .015 X.XXXX = .001
X.XXX = .010 X.X" = 1°

NEW AGE ENCLOSURES

Customer's Part No: 452715

APPROVAL BY DATE

CHECK

ENG.

SCALE

AS NOTED

DRAWN BY

M BOYER 2010-Sep-17

NEW AGE ENCLOSURES

2240 South Thornburg Street Santa Maria, CA. 93455
ph. (805) 595-1310 fax (805) 595-1024

www.newageenclosures.com

INDUSTRIAL UTILITY - STANDARD SXL-452715X-XXX

SIZE

DRAWING NAME

A 452715_R5_1

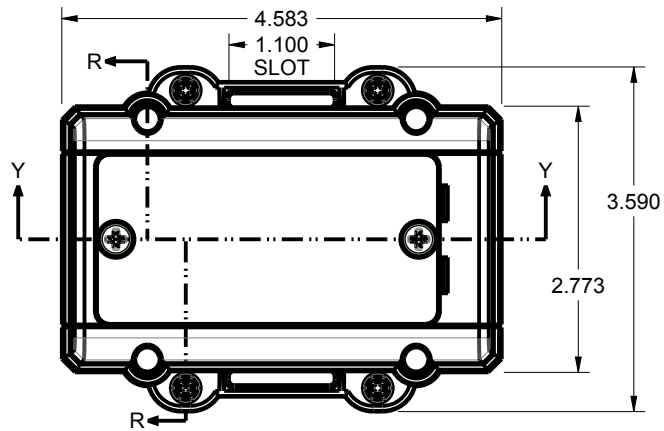
SHEET

1 OF 12

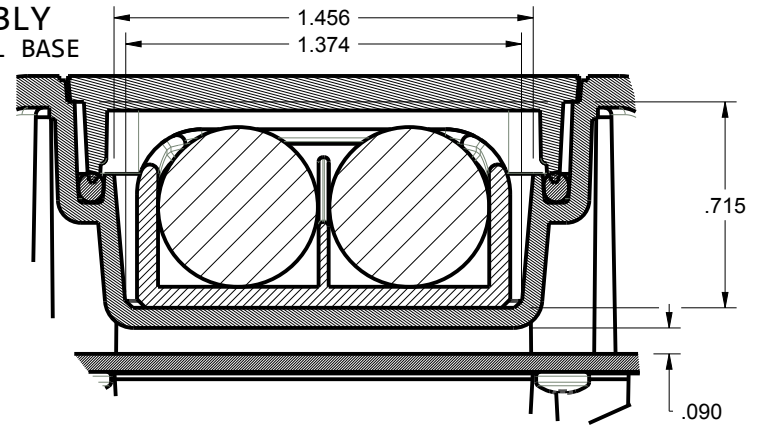
REV.DOC

5.1

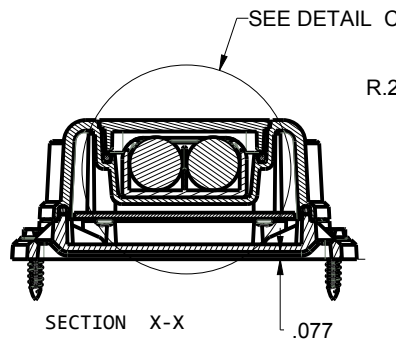
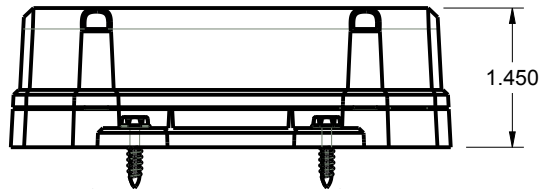
452715-BW ASSEMBLY
COVER w/ BATTERY - WALL BASE



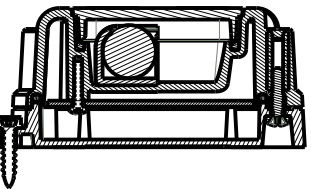
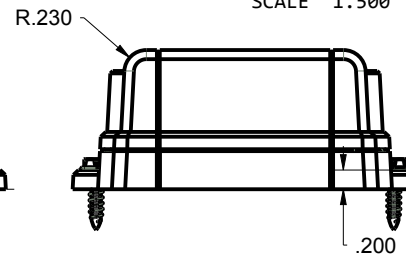
ASSEMBLY VIEW: 452715-BW
SCALE 0.500



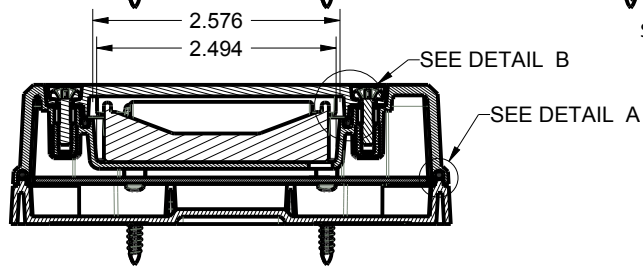
DETAIL C: 452715-BW
SCALE 1.500



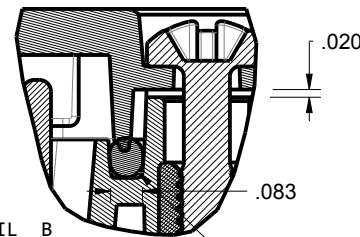
SECTION X-X



SECTION R-R

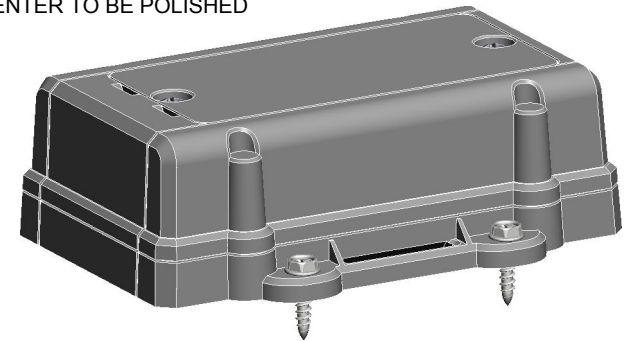


SECTION Y-Y

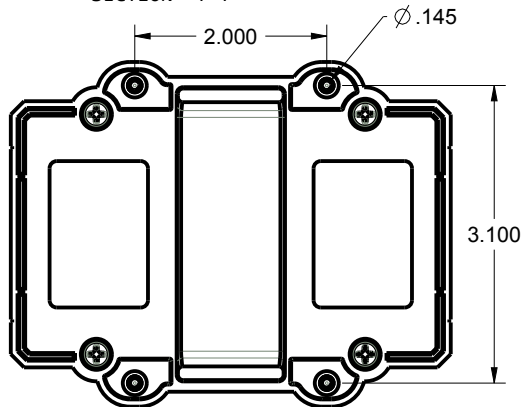


DETAIL B
SCALE 2.000

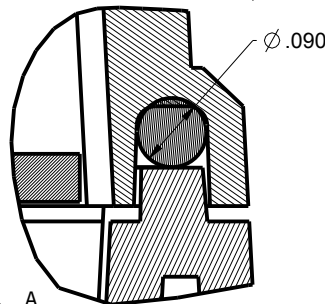
CENTER TO BE POLISHED



ISO VIEW: 452715-BW
SCALE 0.600



DETAIL A
SCALE 4.000



TOLERANCES: UNLESS OTHERWISE SPECIFIED
DIMENSIONS ARE IN U.S. INCHES.

X.XX = .015 X.XXXX = .001
X.XXX = .010 X.X° = 1°

NEW AGE ENCLOSURES

NEW AGE ENCLOSURES
2240 South Thornburg Street Santa Maria, CA. 93455
ph. (805) 595-1310 fax (805) 595-1024

www.newageenclosures.com

Customer's Part No: 452715

APPROVAL	BY	DATE
CHECK		
ENG.		
SCALE	AS NOTED	

INDUSTRIAL UTILITY - STANDARD
SXL-452715X-XXX

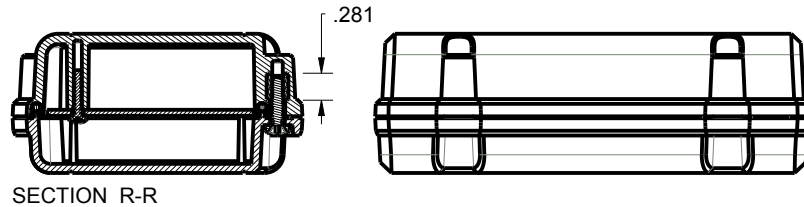
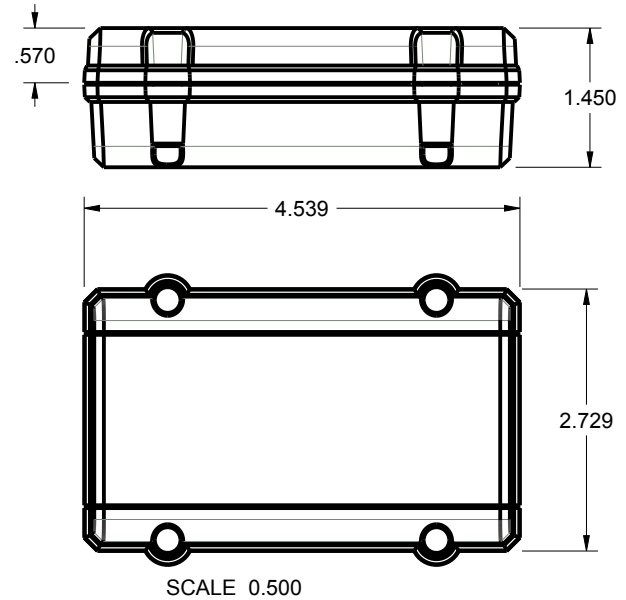
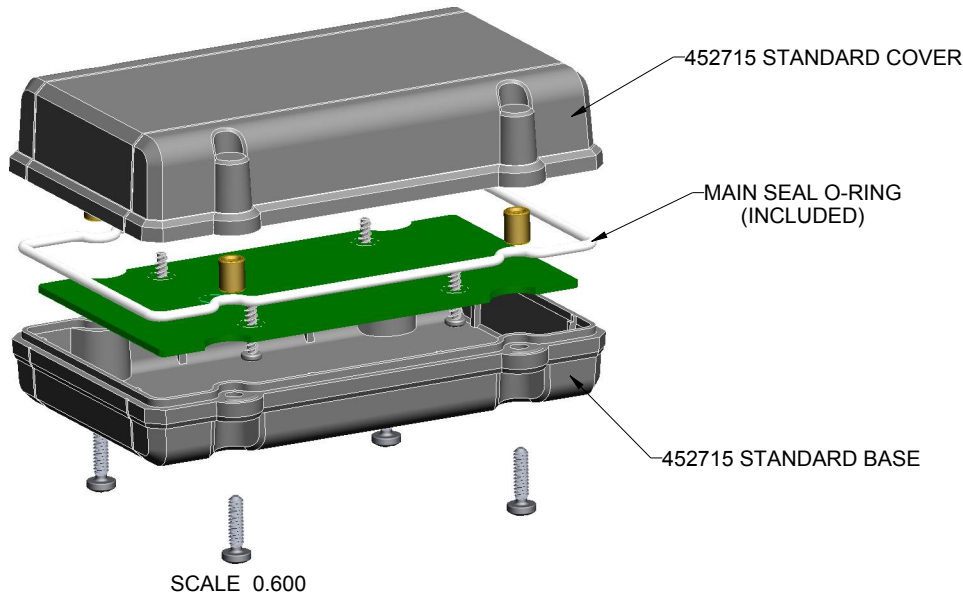
DRAWN BY
M BOYER 2010-Sep-17

SIZE A
DRAWING NAME
452715_R5_1

SHEET 2 OF 12
REV.DOC 5.1

452715-SS ASSEMBLY

STANDARD COVER - STANDARD BASE



452715(x) CONFIGURATIONS				
	-SW	-BS	-SS	-BW
452715 BATTERY COVER		1		1
452715 COVER (w/o BATTERY)	1		1	
452715 BASE		1	1	
452715 WALL BASE	1			1
452715 HATCH		1		1
6-32 PHILLIPS HEAD SCREW x .500"	4	4	4	4
8-32 PHILLIPS HEAD SCREW x .500"		2		2
6-32 x .281" OVERMOLD BRASS INSERT	4		4	
6-32 x .625" OVERMOLD BRASS INSERT		4		4
MAIN SEAL O-RING	1	1	1	1
BATTERY COMPARTMENT O-RING		1		1

ITEM	DESCRIPTION	MATERIAL	COLOR	QTY.
7	#4 HiLo x .250" SCREW	ZINK PLATED	SOLD SEPERATELY	4
6	452715 PCB - REFERENCE	.062" THICK	CUSTOMER SUPPLIED	1
5	452715 O-RING, MAIN SEAL	OR-156 or EQUIV.	INCLUDED	1
4	452715 COVER - STANDARD	ASA	BLACK or GRAY	1
3	452715 BASE - STANDARD	ASA	BLACK or GRAY	1
2	6-32 x .281" INSERT	832X281C	OVER-MOLDED BRASS	4
1	6-32 SCREW x .500	STAINLESS STEEL - PHILLIPS	.500" LONG	4

BILL OF MATERIALS - Standard Base & Standard Cover
(See Sheet 1 for Battery Cover and Wall Base)

TOLERANCES: UNLESS OTHERWISE SPECIFIED
DIMENSIONS ARE IN U.S. INCHES.
X.XX = .015 X.XXXX = .001
X.XXX = .010 X.X" = 1°

NEW AGE ENCLOSURES
Customer's Part No: 452715

APPROVAL BY DATE
CHECK
ENG.
SCALE AS NOTED

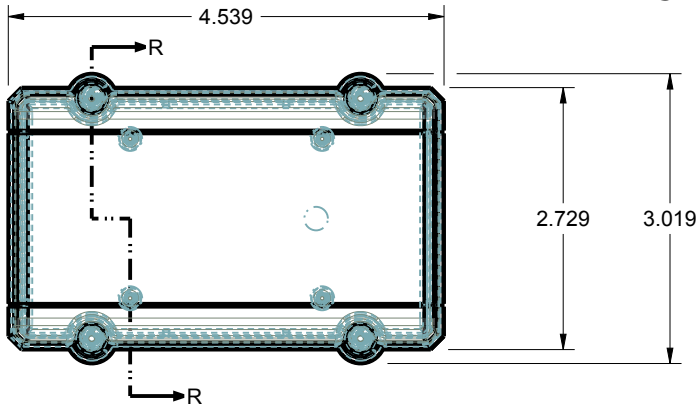
DRAWN BY M BOYER
2010-Sep-17

NEW AGE ENCLOSURES
2240 South Thornburg Street Santa Maria, CA. 93455
ph. (805) 595-1310 fax (805) 595-1024
www.newageenclosures.com

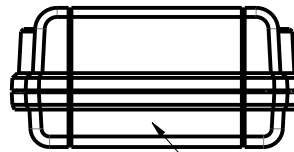
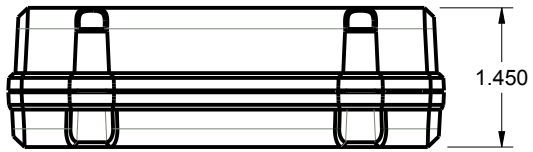
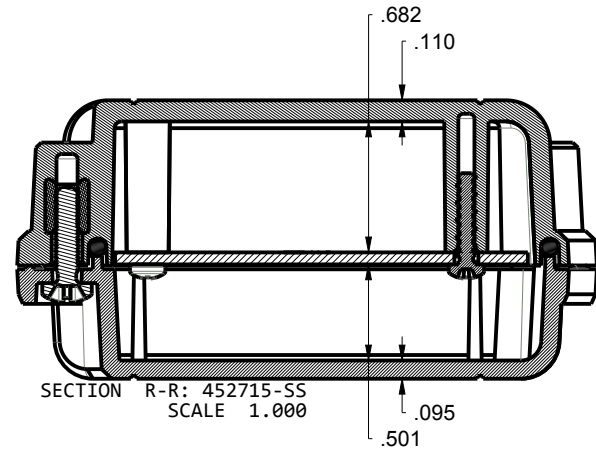
INDUSTRIAL UTILITY - STANDARD SXL-452715X-XXX

SIZE A DRAWING NAME 452715_R5_1 SHEET 3 OF 12 REV.DOC 5.1

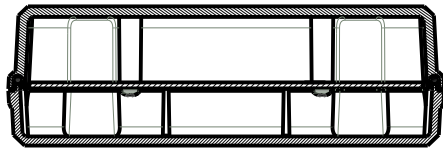
452715-SS ASSEMBLY
COVER - BASE



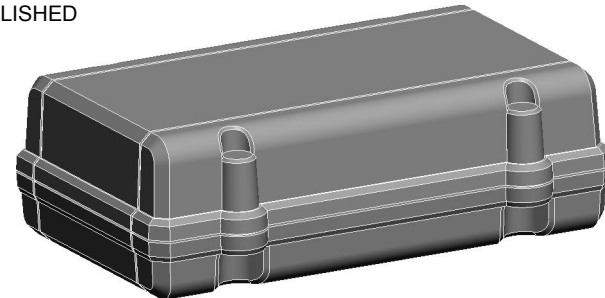
ASSEMBLY VIEW: 452715-SS
SCALE 0.500



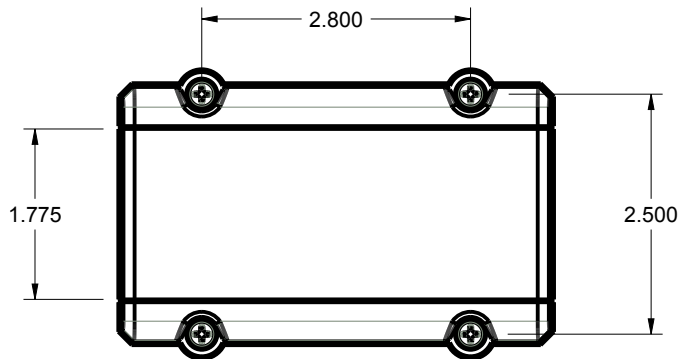
CENTER SECTION
TO BE POLISHED



SECTION Y-Y



ISO VIEW: 452715-SS
SCALE 0.600



TOLERANCES: UNLESS OTHERWISE SPECIFIED
DIMENSIONS ARE IN U.S. INCHES.
X.XX = .015 X.XXXX = .001
X.XXX = .010 X.X° = 1°

NEW AGE ENCLOSURES
Customer's Part No: 452715

APPROVAL	BY	DATE
CHECK		
ENG.		
SCALE	AS NOTED	

DRAWN BY	2010-Sep-17
M BOYER	

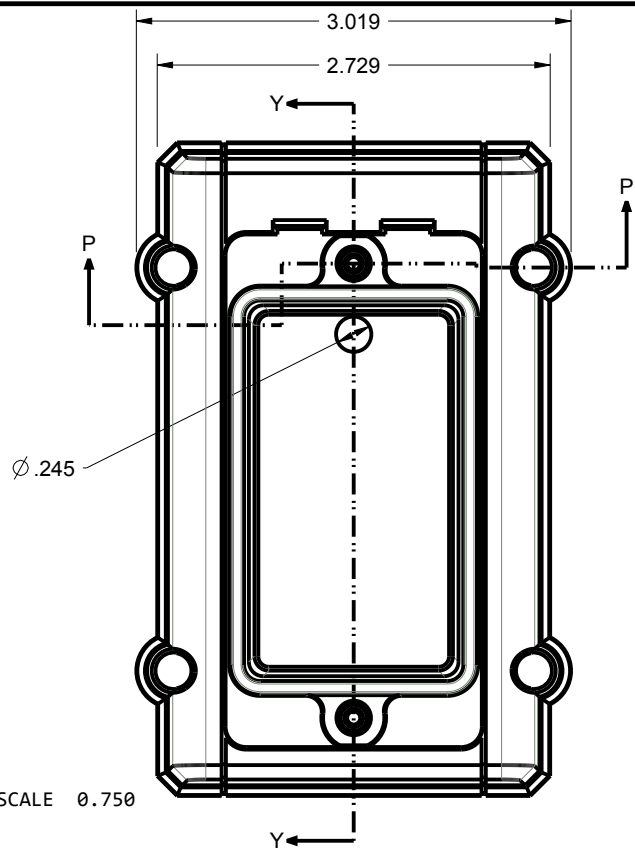
NEW AGE ENCLOSURES
2240 South Thornburg Street Santa Maria, CA. 93455
ph. (805) 595-1310 fax (805) 595-1024
www.newageenclosures.com

INDUSTRIAL UTILITY - STANDARD
SXL-452715X-XXX

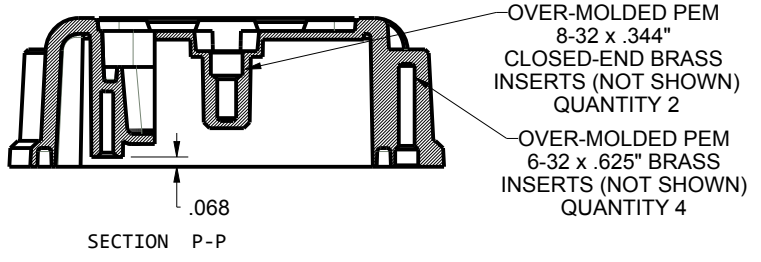
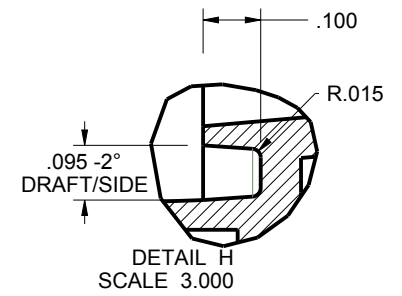
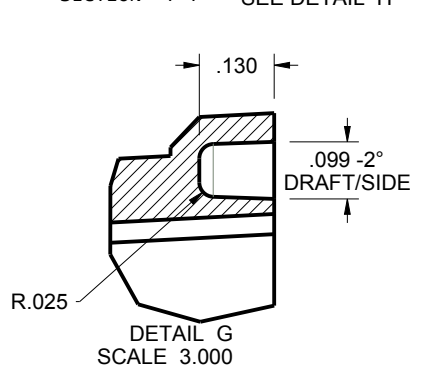
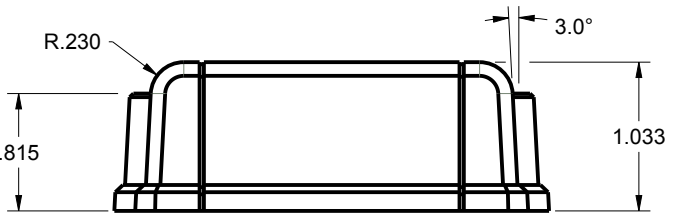
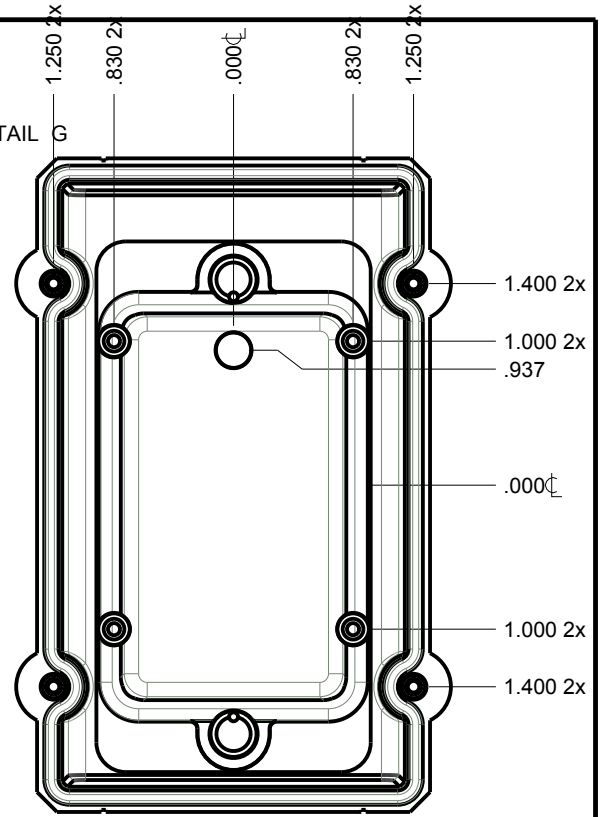
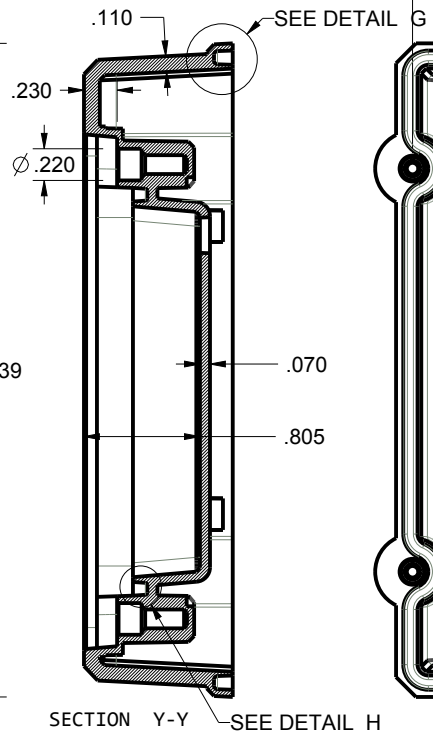
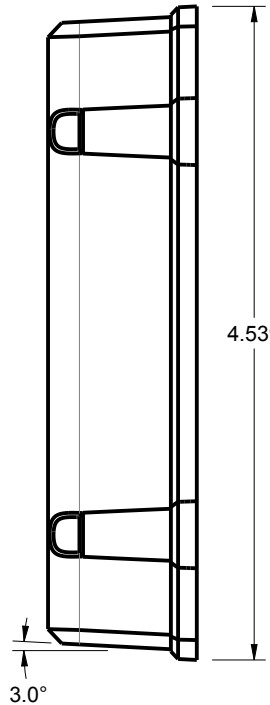
SIZE	DRAWING NAME
A	452715_R5_1

SHEET	REV.DOC
4 OF 12	5.1

452715 BATTERY COVER
FOR USE IN CONFIG: -BS -BW



SCALE 0.750



TOLERANCES: UNLESS OTHERWISE SPECIFIED
DIMENSIONS ARE IN U.S. INCHES.
X.XX = .015 X.XXXX = .001
X.XXX = .010 X.X° = 1°

NEW AGE ENCLOSURES
Customer's Part No: 452715

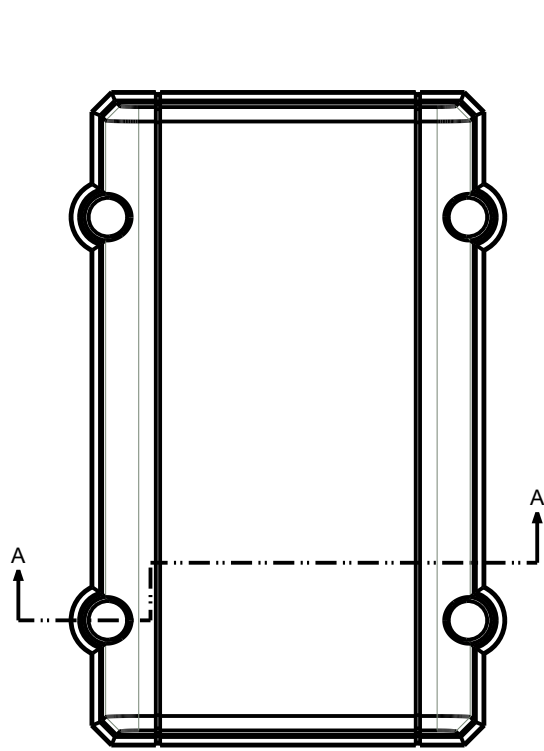
APPROVAL	BY	DATE
CHECK		
ENG.		
SCALE	AS NOTED	
DRAWN BY	M BOYER	
	2010-Sep-17	

NEW AGE ENCLOSURES
2240 South Thornburg Street Santa Maria, CA. 93455
ph. (805) 595-1310 fax (805) 595-1024
www.newageenclosures.com

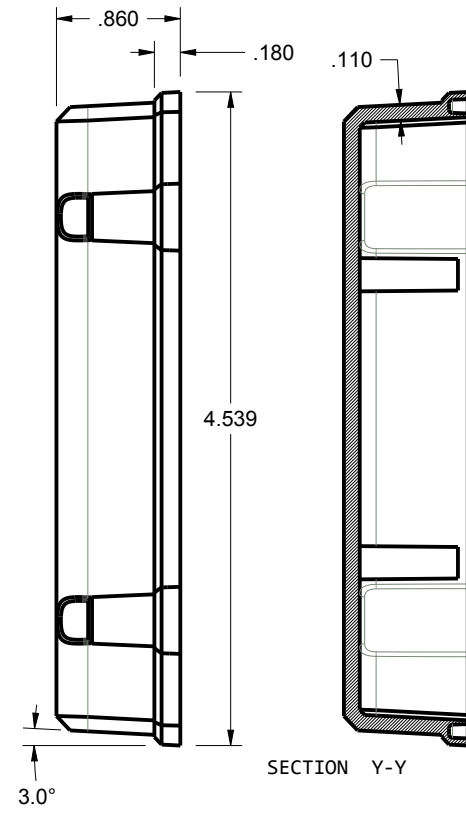
INDUSTRIAL UTILITY - STANDARD
SXL-452715X-XXX

SIZE	DRAWING NAME	SHEET	REV.DOC
A	452715_R5_1	5 OF 12	5.1

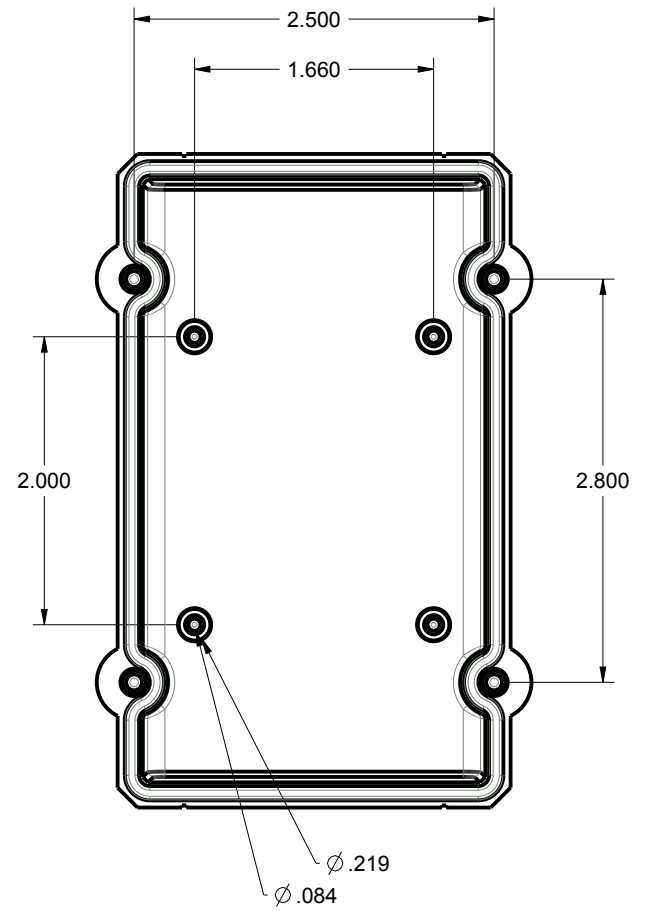
452715 COVER
FOR USE IN CONFIG: -SW -SS



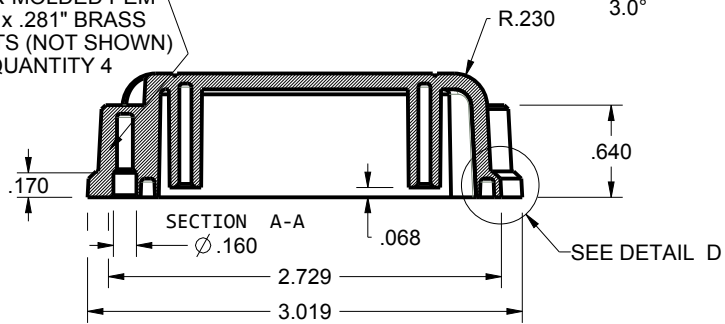
SCALE 0.750



SECTION Y-Y

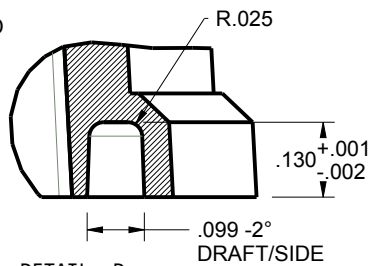


OVER-MOLDED PEM-6-32 x .281" BRASS INSERTS (NOT SHOWN) QUANTITY 4



SECTION A-A

SEE DETAIL D



DETAIL D
SCALE 3.000



TOLERANCES: UNLESS OTHERWISE SPECIFIED DIMENSIONS ARE IN U.S. INCHES.
X.XX = .015 X.XXXX = .001
X.XXX = .010 X.X' = 1°

NEW AGE ENCLOSURES
Customer's Part No: 452715

APPROVAL	BY	DATE
CHECK		
ENG.		
SCALE	AS NOTED	

NEW AGE ENCLOSURES
2240 South Thornburg Street Santa Maria, CA. 93455
ph. (805) 595-1310 fax (805) 595-1024
www.newageenclosures.com

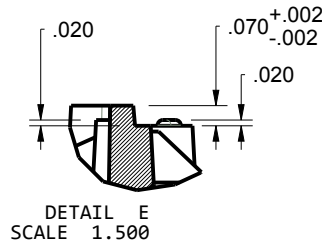
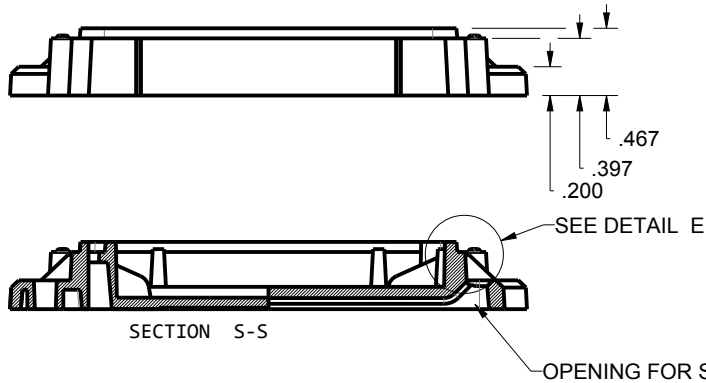
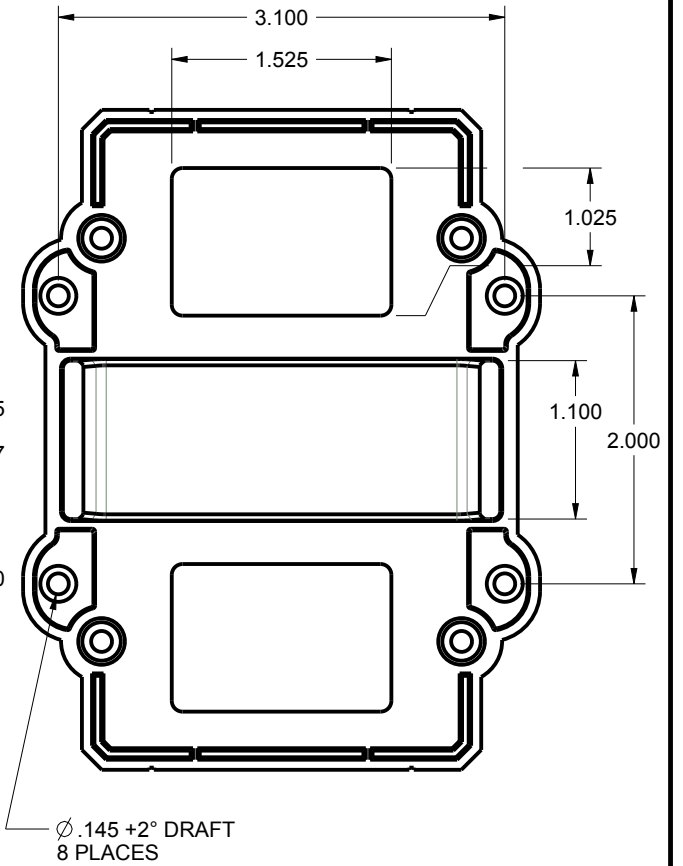
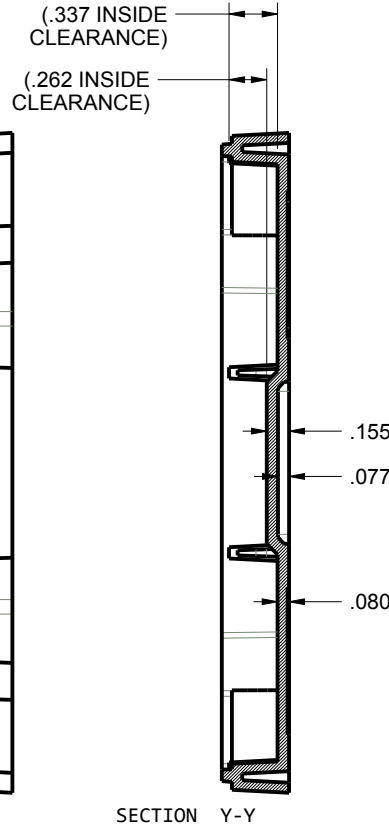
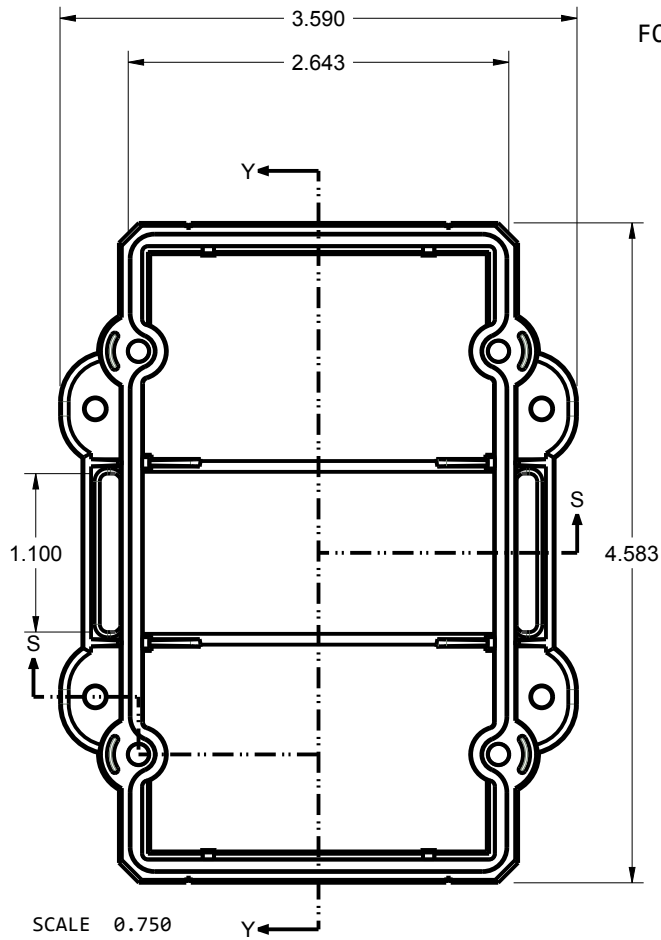
INDUSTRIAL UTILITY - STANDARD SXL-452715X-XXX

DRAWN BY M BOYER 2010-Sep-17

SIZE A DRAWING NAME 452715_R5_1

SHEET 6 OF 12 REV.DOC 5.1

452715 WALL BASE
FOR USE IN CONFIG: -SW -BW



TOLERANCES: UNLESS OTHERWISE SPECIFIED
DIMENSIONS ARE IN U.S. INCHES.
X.XX = .015 X.XXXX = .001
X.XXX = .010 X.X° = 1°

NEW AGE ENCLOSURES

Customer's Part No: 452715

APPROVAL BY DATE

CHECK

ENG.

SCALE AS NOTED

DRAWN BY M BOYER 2010-Sep-17

NEW AGE ENCLOSURES

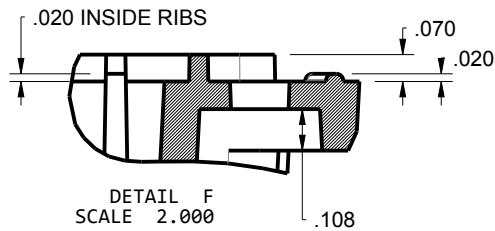
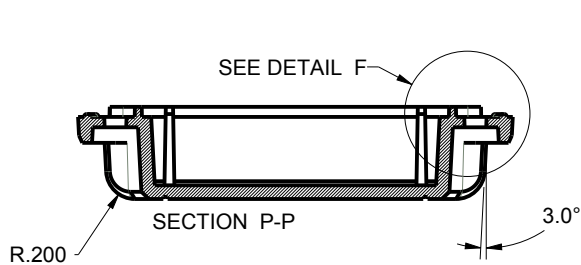
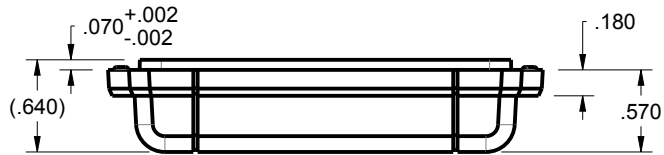
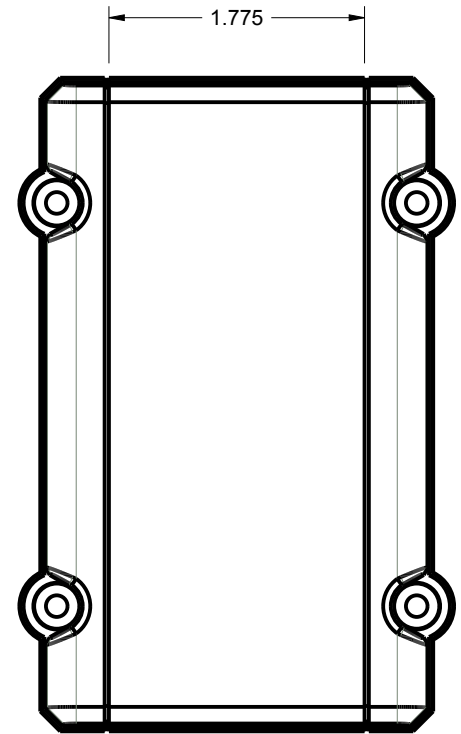
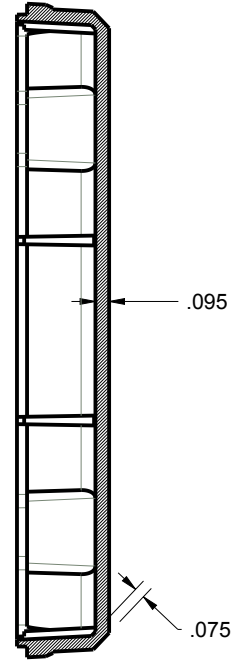
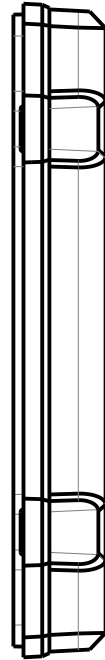
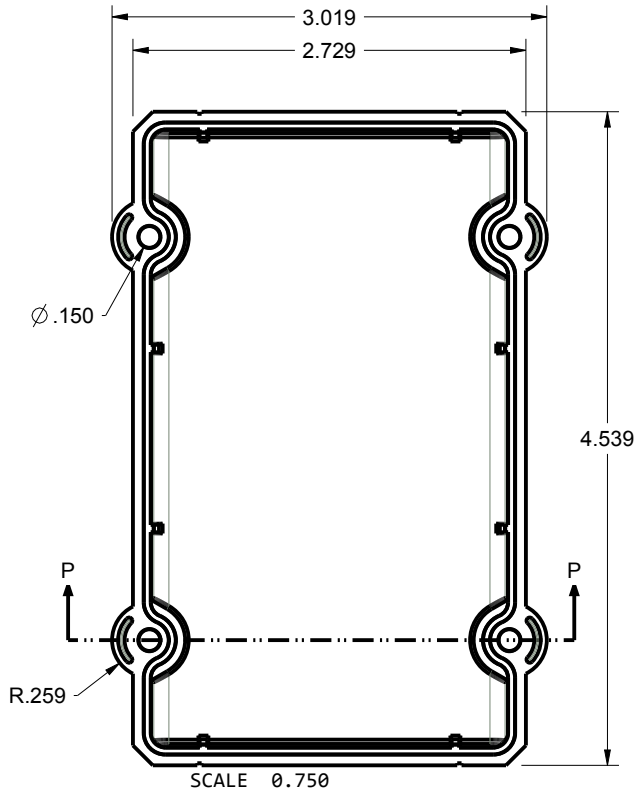
2240 South Thornburg Street Santa Maria, CA. 93455
ph. (805) 595-1310 fax (805) 595-1024
www.newageenclosures.com

INDUSTRIAL UTILITY - STANDARD
SXL-452715X-XXX

SIZE A DRAWING NAME 452715_R5_1

SHEET 7 OF 12 REV.DOC 5.1

452715 BASE
FOR USE IN CONFIG: -SS -BS



TOLERANCES: UNLESS OTHERWISE SPECIFIED
DIMENSIONS ARE IN U.S. INCHES.

X.XX = .015 X.XXXX = .001
X.XXX = .010 X.X° = 1°

NEW AGE ENCLOSURES

Customer's Part No: 452715

APPROVAL BY DATE

CHECK

ENG.

SCALE AS NOTED

DRAWN BY M BOYER 2010-Sep-17

NEW AGE ENCLOSURES

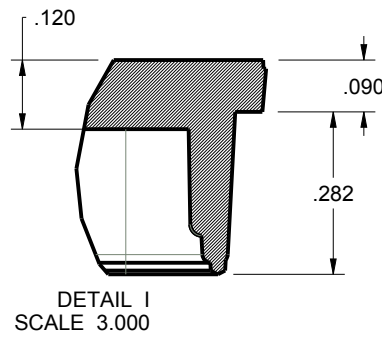
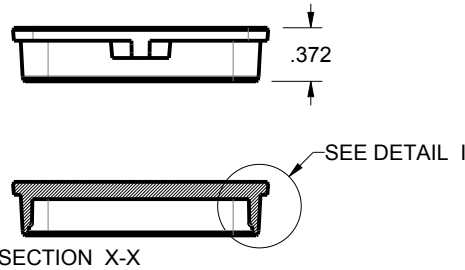
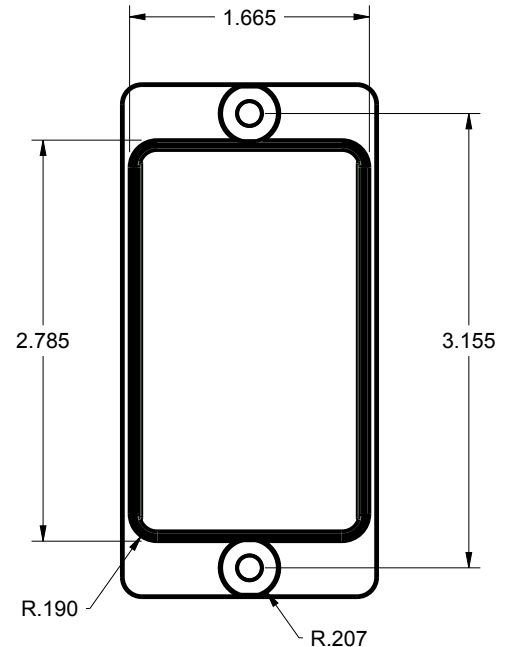
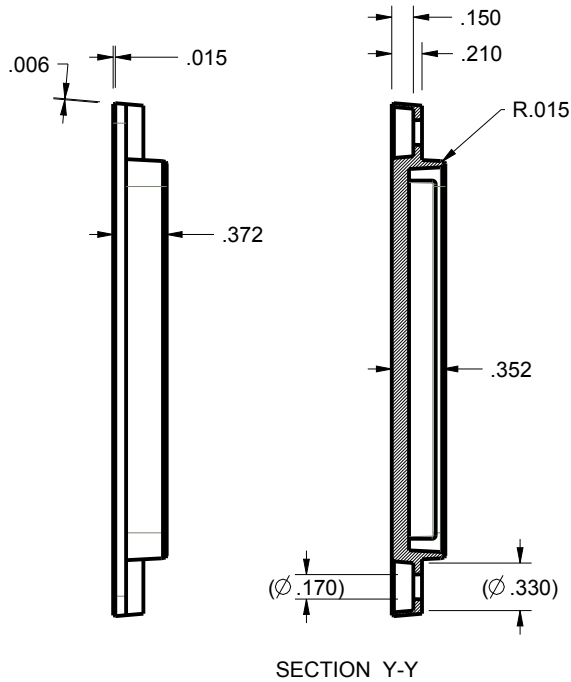
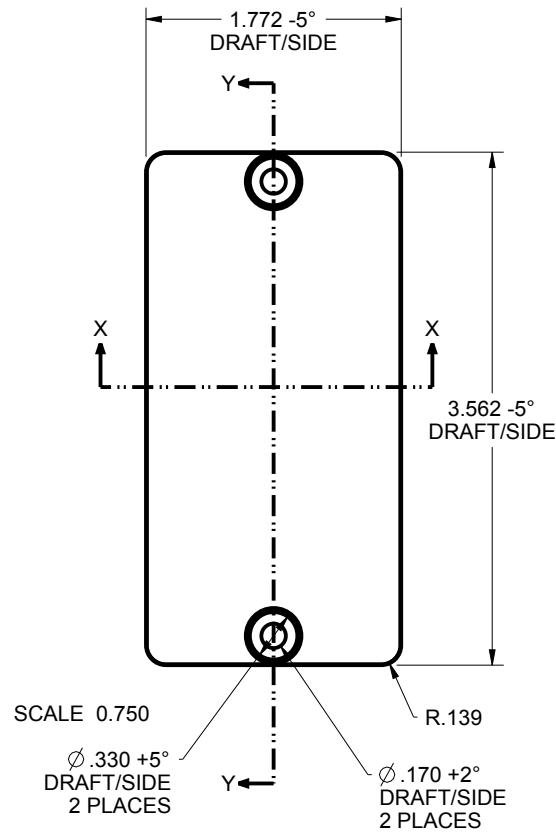
2240 South Thornburg Street Santa Maria, CA. 93455
ph. (805) 595-1310 fax (805) 595-1024
www.newageenclosures.com

INDUSTRIAL UTILITY - STANDARD
SXL-452715X-XXX

SIZE A DRAWING NAME 452715_R5_1

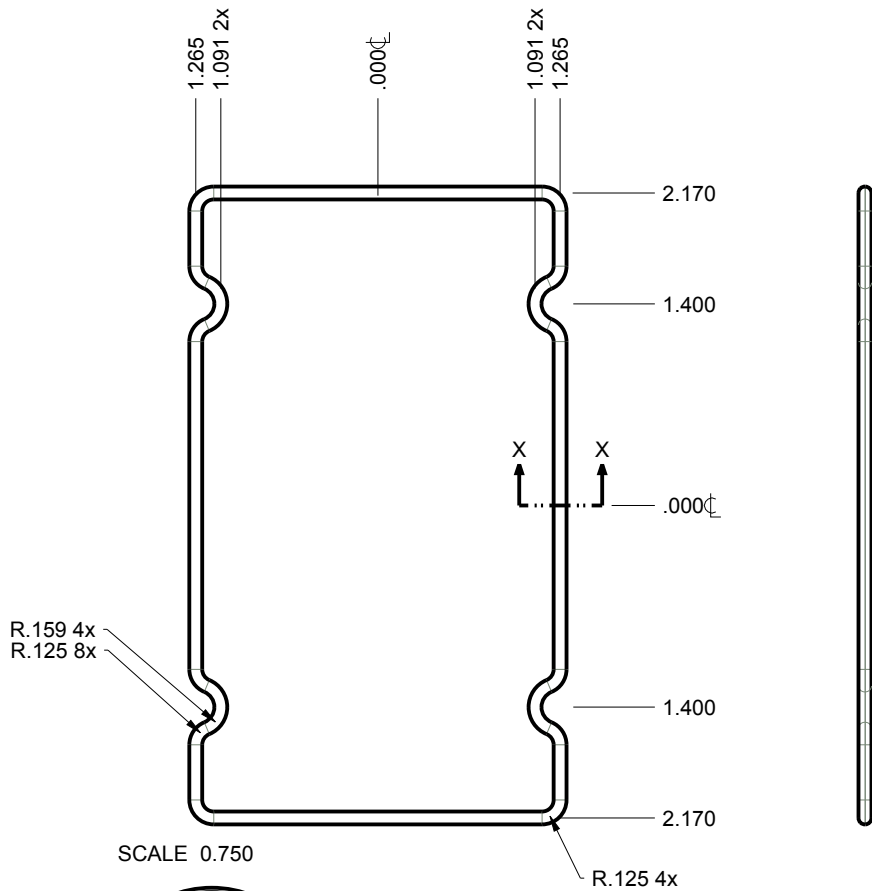
SHEET 8 OF 12 REV.DOC 5.1

452715 HATCH
 FOR USE IN CONFIG: -BS -BW

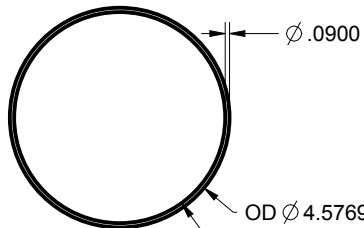


TOLERANCES: UNLESS OTHERWISE SPECIFIED DIMENSIONS ARE IN U.S. INCHES.		NEW AGE ENCLOSURES	
X.XX = .015 X.XXXX = .001 X.XXX = .010 X.X° = 1°		2240 South Thornburg Street Santa Maria, CA. 93455 ph. (805) 595-1310 fax (805) 595-1024 www.newageenclosures.com	
NEW AGE ENCLOSURES		INDUSTRIAL UTILITY - STANDARD SXL-452715X-XXX	
Customer's Part No: 452715		SIZE	REV.DOC
APPROVAL	BY DATE	A	452715_R5_1
CHECK		SHEET	9 OF 12
ENG.			5.1
SCALE	AS NOTED		
DRAWN BY	2010-Sep-17		
M BOYER			

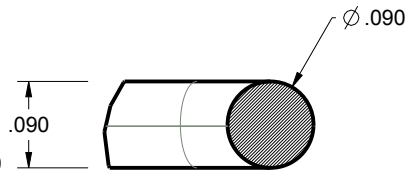
452715 MAIN O-RING
FOR USE IN ALL CONFIGURATIONS



SCALE 0.750

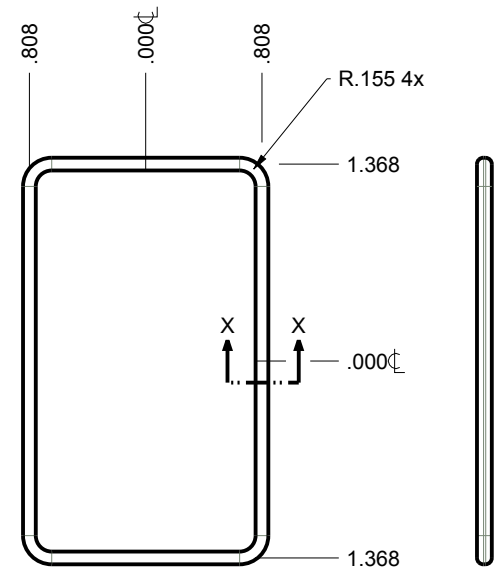


OR-156 or EQUIV.
SCALE 0.250

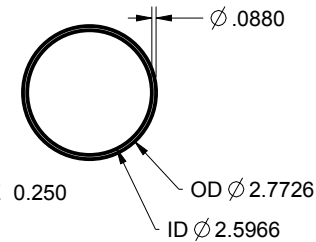


SECTION X-X
SCALE 5.000

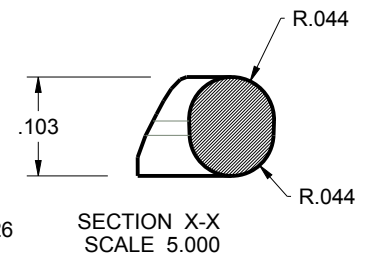
452715 BATTERY O-RING
FOR USE IN CONFIG: -BS -BW



SCALE 0.750



SCALE 0.250



SECTION X-X
SCALE 5.000

TOLERANCES: UNLESS OTHERWISE SPECIFIED
DIMENSIONS ARE IN U.S. INCHES.
X.XX = .015 X.XXXX = .001
X.XXX = .010 X.X° = 1°

NEW AGE ENCLOSURES
Customer's Part No: 452715

APPROVAL BY DATE

CHECK

ENG.

SCALE AS NOTED

DRAWN BY M BOYER 2010-Sep-17

NEW AGE ENCLOSURES
2240 South Thornburg Street Santa Maria, CA. 93455
ph. (805) 595-1310 fax (805) 595-1024
www.newageenclosures.com

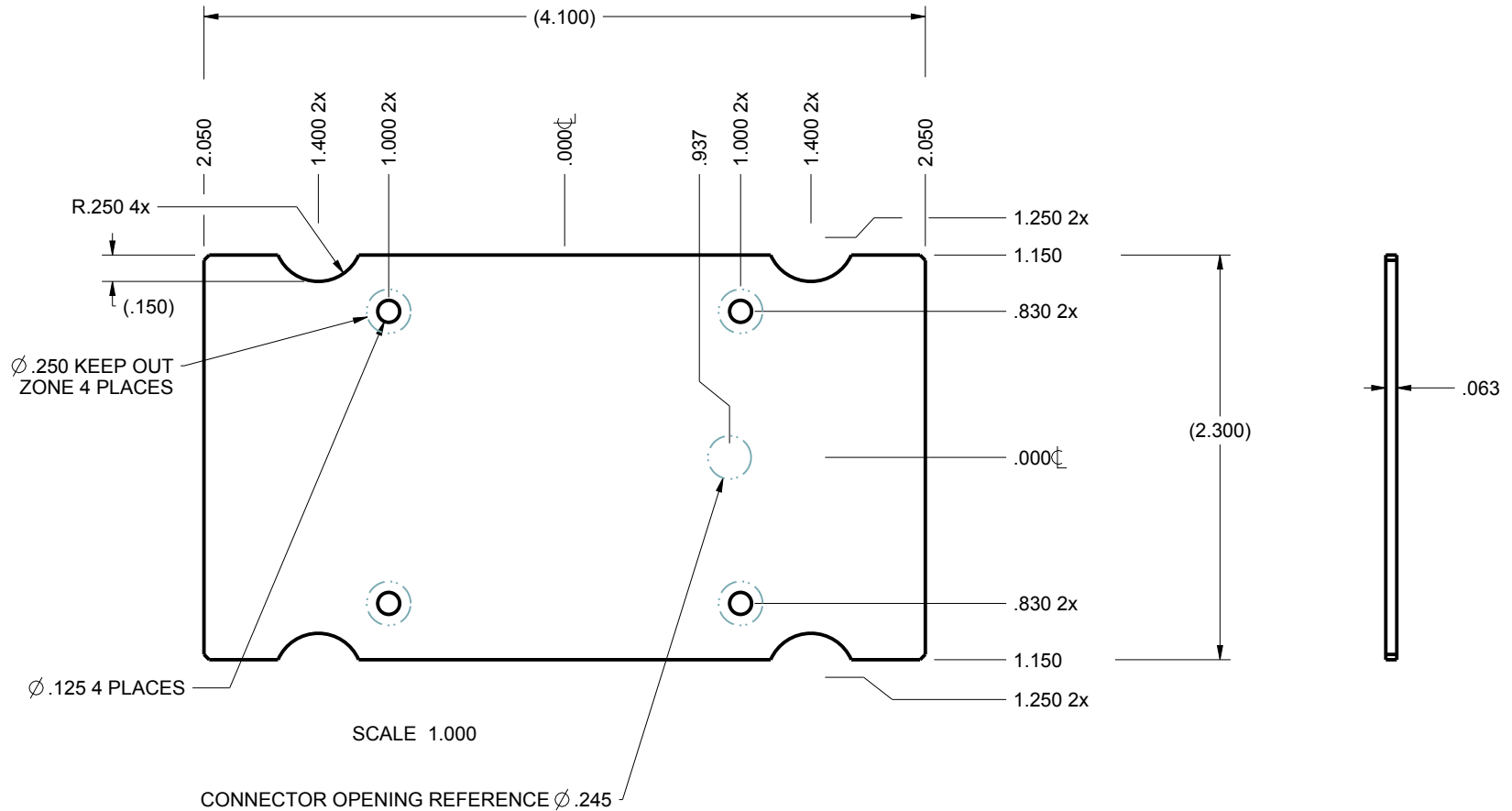
INDUSTRIAL UTILITY - STANDARD
SXL-452715X-XXX

SIZE A DRAWING NAME 452715_R5_1

SHEET 10 OF 12 REV.DOC 5.1

452715 PCB - Customer Supplied

PCB SIZES ARE RECOMMENDATIONS ONLY. FINAL SIZES AND VERIFICATION OF ITS FIT ARE THE SOLE RESPONSIBILITY OF THE OEM.



TOLERANCES: UNLESS OTHERWISE SPECIFIED
DIMENSIONS ARE IN U.S. INCHES.
 X.XX = .015 X.XXXX = .001
 X.XXX = .010 X.X° = 1°

NEW AGE ENCLOSURES
 Customer's Part No: 452715

APPROVAL	BY	DATE
CHECK		
ENG.		
SCALE	AS NOTED	

DRAWN BY
 M BOYER 2010-Sep-17

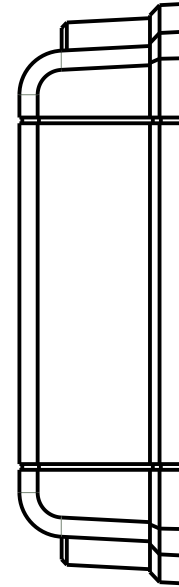
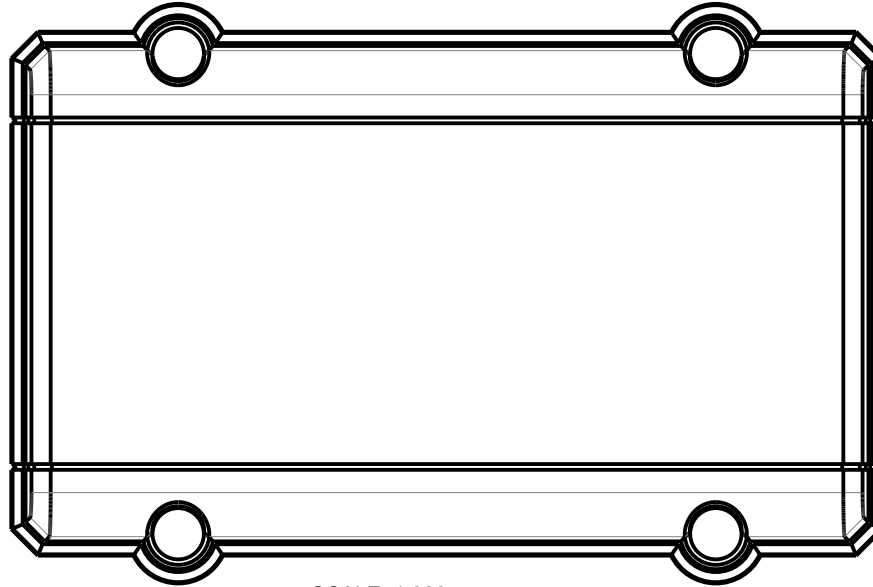
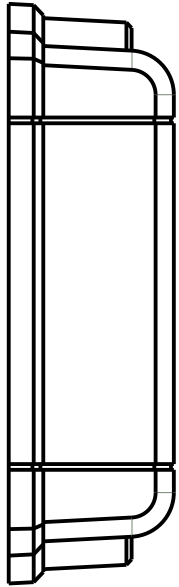
NEW AGE ENCLOSURES
 2240 South Thornburg Street Santa Maria, CA. 93455
 ph. (805) 595-1310 fax (805) 595-1024
www.newageenclosures.com

INDUSTRIAL UTILITY - STANDARD
 SXL-452715X-XXX

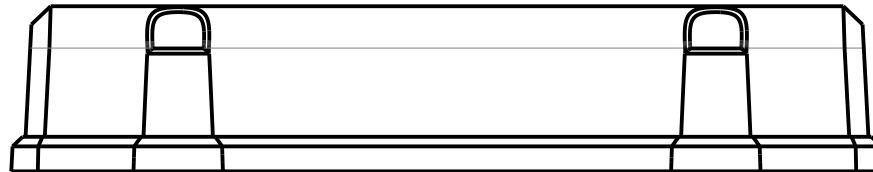
SIZE	DRAWING NAME	SHEET	REV.DOC
A	452715_R5_1	11 OF 12	5.1

452715 2nd OPERATION DETAILS

NEW AGE ENCLOSURES DELIVERS YOUR ENCLOSURE MARKET-READY WITH IN-HOUSE
 CNC MACHINING, PAD PRINTING, ASSEMBLY, AND FULFILLMENT.
 ALL SURFACES AND AREAS ARE AVAILABLE FOR CNC ALTERATION BY NEW AGE ENCLOSURES
 CALL (805) 595-1310 FOR PRICING AND SCHEDULE.
 THE INSIDE RADIUS OF ANY MACHINED FEATURES SHOULD BE NO SMALLER THAN .031"



SCALE 1.000



SXL-452715-XXX COVER - ASA, BLACK

STEP NO	DESCRIPTION	CUTTER	FIXTURE	ORIENTATION	PROGRAM
1-C-C1	-	T2 = .062" EM	266	-	o1000
2-C-C2	-	T2 = .062" EM	266	-	o1000
3-C-C3	-	T2 = .062" EM	266	-	o1000

TOLERANCES: UNLESS OTHERWISE SPECIFIED
 DIMENSIONS ARE IN U.S. INCHES.
 X.XX = .015 X.XXXX = .001
 X.XXX = .010 X.X° = 1°

NEW AGE ENCLOSURES
 Customer's Part No: 452715

APPROVAL	BY	DATE
CHECK		
ENG.		
SCALE	AS NOTED	
DRAWN BY	M BOYER	
	2010-Sep-17	

NEW AGE ENCLOSURES
 2240 South Thornburg Street Santa Maria, CA. 93455
 ph. (805) 595-1310 fax (805) 595-1024
www.newageenclosures.com

SXL-452715-XXX COVER - ASA, BLACK

STEP	TYPE	FIXTURE	INK COLOR	CLICHE DESCRIPTION	CLICHE No.
4-P-P1	PAD PRINT	267	-	-	CLxxxx R1

INDUSTRIAL UTILITY - STANDARD
SXL-452715X-XXX

SIZE	DRAWING NAME	SHEET	REV.DOC
A	452715_R5_1	12 OF 12	5.1