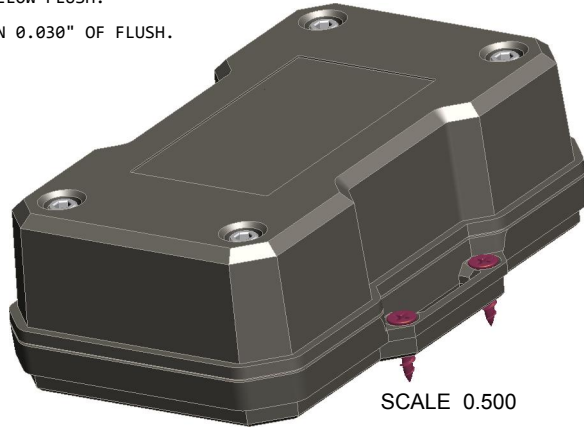
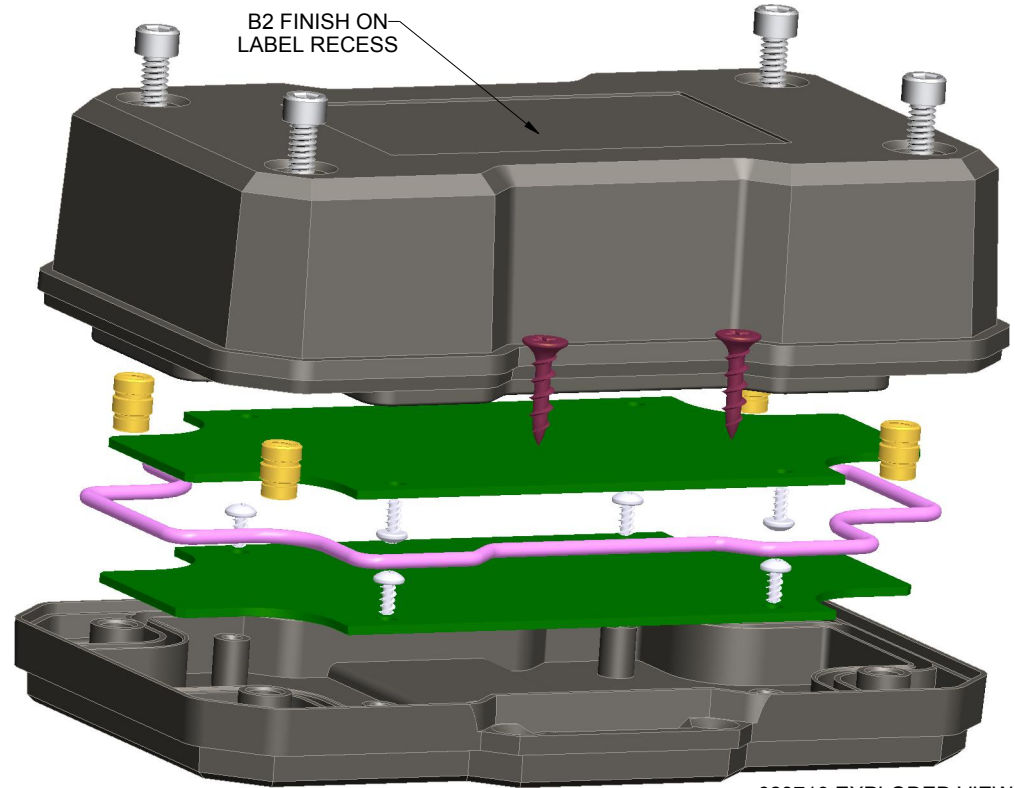


NOTES: UNLESS OTHERWISE SPECIFIED

- CORNERS DRAWN SHARP TO BE R.005 MAXIMUM.
- EXTERIOR SURFACE TEXTURE TO BE LIGHT EDM FINISH EQUIVALENT TO MT-11020, EXCEPT WHERE NOTED. INTERIOR TEXTURE WILL BE B2 OR DRAW POLISH. TEXTURE ON ENCLOSURE WILL VARY FROM TIME TO TIME AS THE TOOL WEARS AND IT BECOMES NECESSARY TO REAPPLY.
- INTERIOR SURFACE TEXTURE TO BE: NONE.
- ALL INSIDE RADII .010R. UNLESS OTHERWISE SPECIFIED.
- ALL EXTERNAL DIMENSIONS AFFECTED BY THE DRAFT APPLY AT THE LARGE END OF THE FEATURE, AND ALL INTERNAL FEATURES AFFECTED BY THE DRAFT APPLY AT THE SMALL END OF THE FEATURE UNLESS OTHERWISE SPECIFIED.
- ONE DEGREE DRAFT IN THE DIRECTION OF PULL IS PERMISSIBLE UNLESS OTHERWISE SPECIFIED.
- MATERIAL / COLOR: ENCLOSURE IN ASA PLASTIC IS STANDARD IN BLACK. SLIGHT COSMETIC SWIRLING, BLUSHING, AND/OR DISCOLORIZATION CAN OCCUR IN THIS ENCLOSURE DUE TO UV INHIBITORS IN THE RESIN. O-RING IN TPE IS STANDARD IN BLUE. CUSTOM MATERIALS AND COLORS ARE AVAILABLE UPON REQUEST FOR QUOTE.
- PCB SIZES ARE RECOMMENDATIONS ONLY. FINAL SIZES AND VERIFICATION OF ITS FIT ARE THE SOLE RESPONSIBILITY OF EACH CUSTOMER.
- ASSEMBLY SCREWS FOR THE ENCLOSURE INCLUDED. MOUNTING SCREWS FOR THE PCB ARE SOLD SEPARATELY.
- THIS DRAWING IS BASED ON A SOLID MODEL, AND IS FURTHER DEFINED BY THE SOLID MODEL FILE.
- ALLOWABLE FLASH: 0.010 MAX.
- ALL EJECTOR PIN MARKS TO BE WITHIN 0.010" OF FLUSH, PROTRUDING OR BELOW FLUSH.
- TRIM GATE WITHIN 0.030" OF FLUSH.



R E V I S I O N					
REV.	DRAWN BY	ECO No	DESCRIPTION	DATE	APPROVE
A	M BOYER	DR 1807	PRELIMINARY RELEASE	2018-Jul-12	D.C.
B	M BOYER		MOVE EARS FROM THE ENDS TO THE SIDES	2019-Jul-09	J.T.
C	M BOYER		UPDATE BOM	2019-Sep-05	J.T.
D	M BOYER		DESIGN REVIEW Jan 13, 2020	2020-Jan-14	J.T.
E	M BOYER		REVIEW Feb 22, 2021	2021-Feb-23	J.T.
F	M BOYER		INCLUDE WEEP HOLES	2021-Mar-10	J.T.
G	M BOYER		ADJUST LABEL RECESS	2021-Mar-26	J.T.
H	M BOYER		READJUST LABEL RECESS PER Apr 13 REVIEW	2021-Apr-13	J.T.
I	M BOYER		FINALIZE PRINT FOR DIR	2021-Nov-03	J.T.
1.0	M BOYER	00623	UPDATE TO AS BUILT AND RELEASE TO PRODUCTION	2023-Jan-24	J.T.
1.1	M BOYER	00725	REVISE STANDARD COLORS AVAILABLE	2025-Jan-23	



ITEM	FILE NAME	DESCRIPTION	MATERIAL	COLOR	QTY.
8	SHCS_10-24	S.H.C.S. 10-24 UNC X1.1/2	STEEL	INCLUDED	4
7	623719_ORING	OR-161 ORING - STANDARD	SHORE A	INCLUDED	4
6	SCREW_HILO-N04	#4 HiLo SCREW x .250"	ZINC PLATED	CUSTOMER SUPPLIED	8
5	SCREW-DRYWALLX750	DRYWALL SCREW	REFERENCE ONLY	CUSTOMER SUPPLIED	4
4	623719_PCB	623719 PCB - REFERENCE	.062" THICK	CUSTOMER SUPPLIED	2
3	623719_COVER	623719 COVER	ASA	BLACK	1
2	623719_BASE	623719 BASE	ASA	BLACK	1
1	TRISTAR_10-24_INSERT	PEM INSERT 10-24	BRASS	10-24 x .375	4

BILL OF MATERIALS

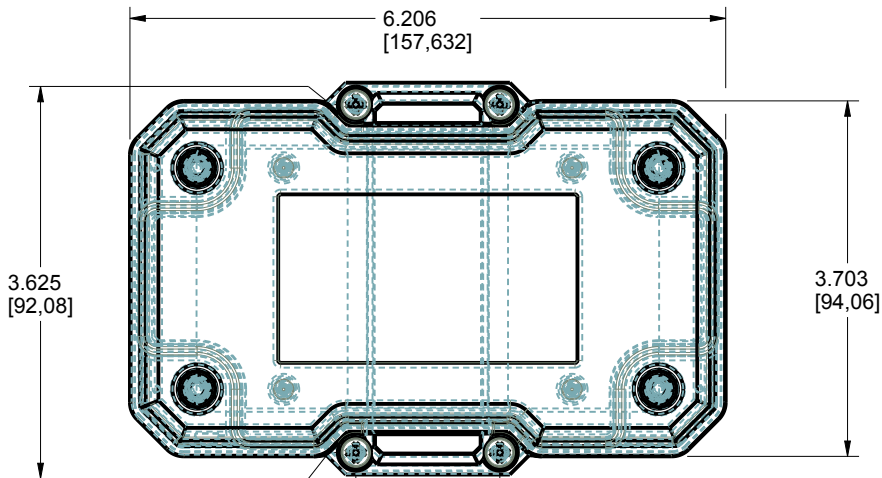
THIRD ANGLE PROJECTION	TOLERANCES: UNLESS OTHERWISE SPECIFIED DIMENSIONS ARE IN U.S. INCHES. X.XX = .015 X.XXXX = .001 X.XXX = .010 X.X" = 1"
DO NOT SCALE DRAWING	NEW AGE ENCLOSURES
Customer's Part No: 623719	
APPROVAL	BY DATE
CHECK	
ENG.	
SCALE	AS NOTED
DRAWN BY	2018-Jul-12
M BOYER	

**NEW AGE ENCLOSURES**  
 2240 South Thornburg Street Santa Maria, CA. 93455  
 ph. (805) 595-1310 fax (805) 595-1024  
[www.newageenclosures.com](http://www.newageenclosures.com)

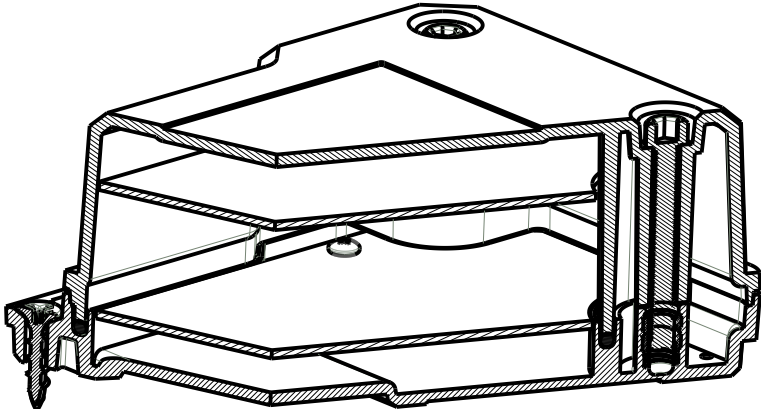
LARGE RUGGED UTILITY - STANDARD  
 SXX-623719-XXX

SIZE	DRAWING NAME	SHEET	REV.DOC
A	623719_R1_1	1 OF 6	1.1

623719 ASSEMBLY



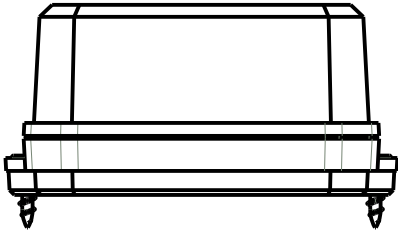
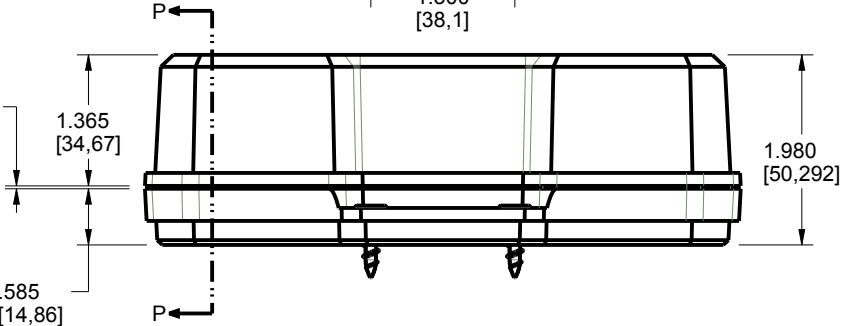
SCALE 0.500



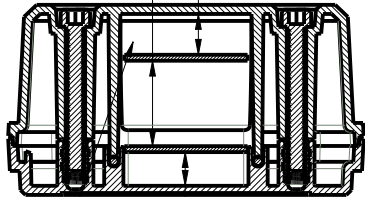
SECTION B-B  
SCALE 0.750

.890 CLEAR  
[22,61]

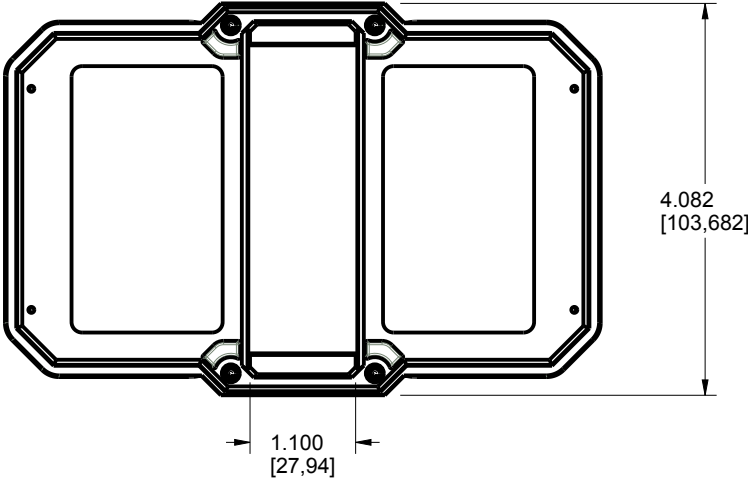
.425 CLEAR  
[10,8]



THIS ENCLOSURE CAN ACCOMDATE  
ONE OR TWO IDENTICAL  
PROFILE PCB



SECTION P-P



TOLERANCES: UNLESS OTHERWISE SPECIFIED  
DIMENSIONS ARE IN U.S. INCHES.  
X.XX = .015 X.XXXX = .001  
X.XXX = .010 X.X° = 1°

**NEW AGE ENCLOSURES**  
2240 South Thornburg Street Santa Maria, CA. 93455  
ph. (805) 595-1310 fax (805) 595-1024

Customer's Part No: 623719

www.newageenclosures.com

APPROVAL	BY	DATE
CHECK		
ENG.		
SCALE	AS NOTED	

LARGE RUGGED UTILITY - STANDARD  
SXX-623719-XXX

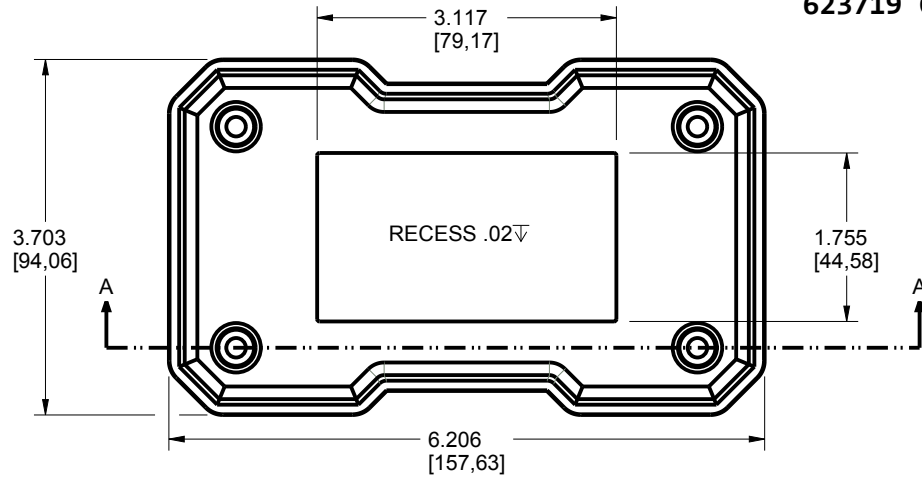
DRAWN BY  
M BOYER 2018-Jul-12

SIZE  
A 623719\_R1\_1

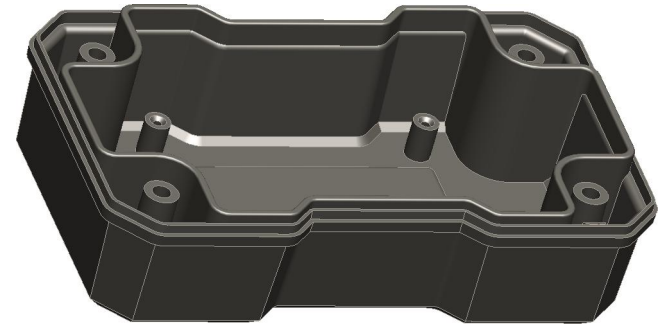
SHEET  
2 OF 6

REV.DOC  
1.1

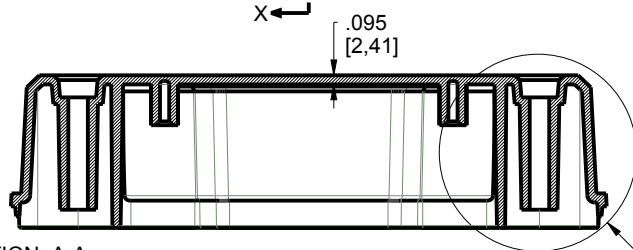
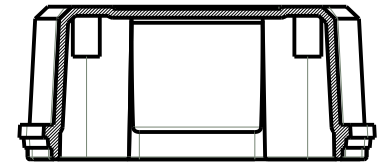
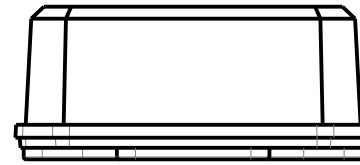
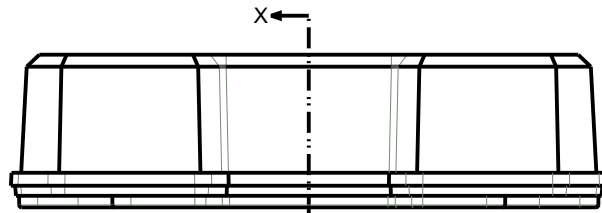
623719 COVER



SCALE 0.500

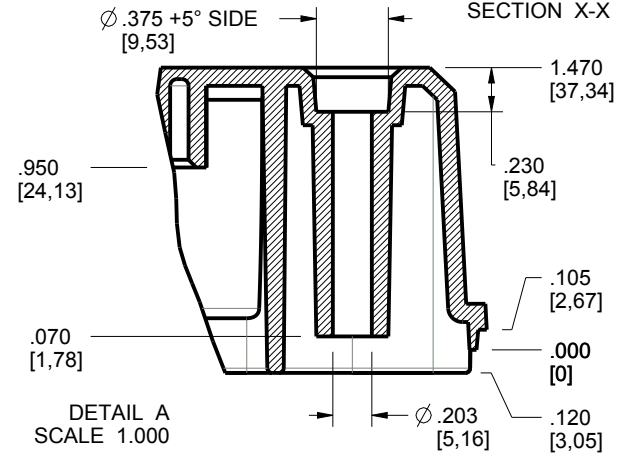
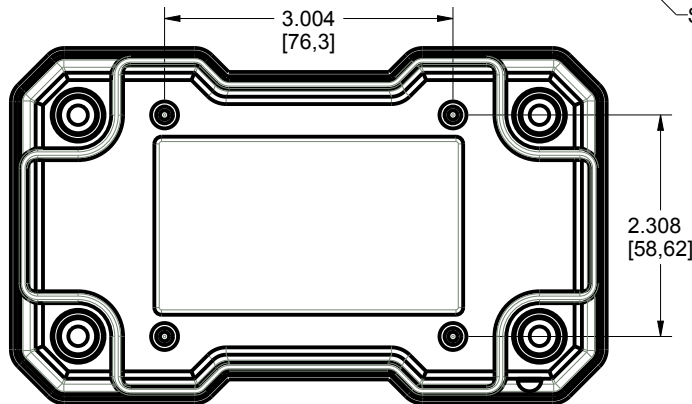


SCALE 0.500



SECTION A-A

SEE DETAIL A



DETAIL A  
SCALE 1.000

TOLERANCES: UNLESS OTHERWISE SPECIFIED  
DIMENSIONS ARE IN U.S. INCHES.  
X.XX = .015 X.XXXX = .001  
X.XXX = .010 X.X° = 1°

NEW AGE ENCLOSURES  
Customer's Part No: 623719

APPROVAL BY DATE  
CHECK  
ENG.  
SCALE AS NOTED

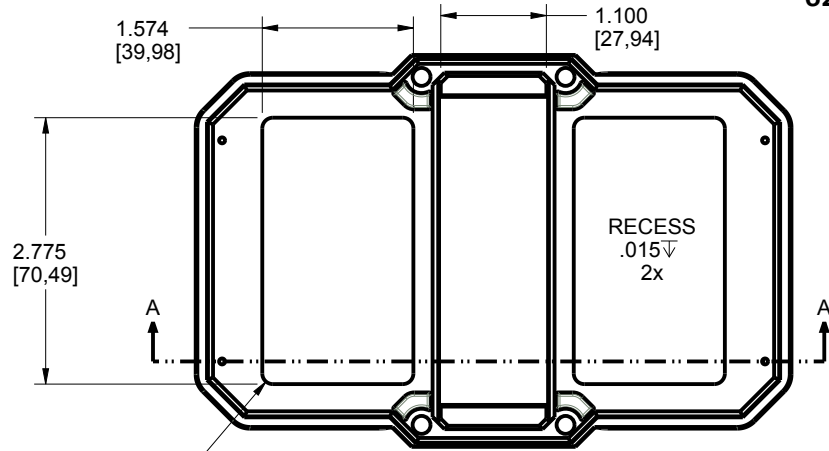
DRAWN BY M BOYER 2018-Jul-12

**NEW AGE ENCLOSURES**  
2240 South Thornburg Street Santa Maria, CA. 93455  
ph. (805) 595-1310 fax (805) 595-1024  
www.newageenclosures.com

LARGE RUGGED UTILITY - STANDARD  
SXX-623719-XXX

SIZE A DRAWING NAME 623719\_R1\_1 SHEET 3 OF 6 REV.DOC 1.1

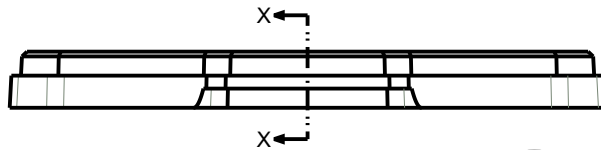
**623719 BASE**



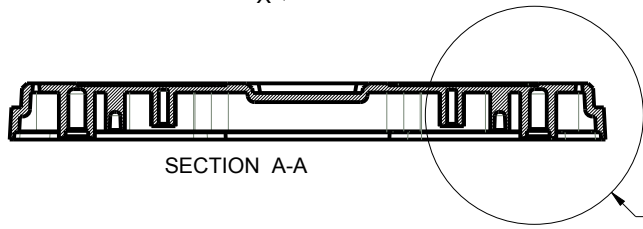
SCALE 0.500



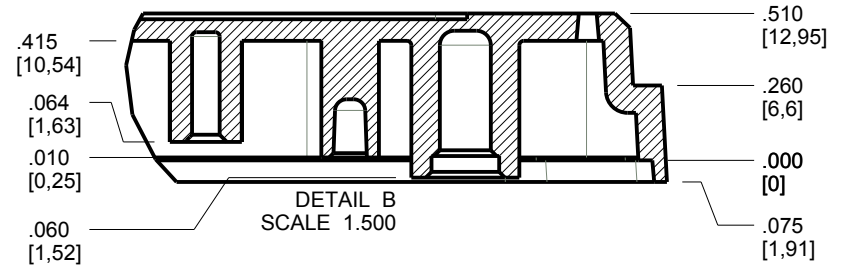
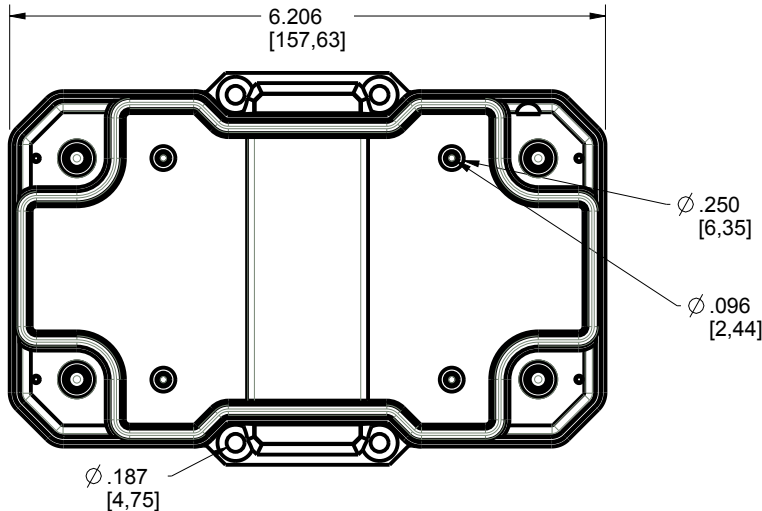
SCALE 0.500



SECTION X-X



SECTION A-A



DETAIL B  
SCALE 1.500

TOLERANCES: UNLESS OTHERWISE SPECIFIED  
DIMENSIONS ARE IN U.S. INCHES.  
X.XX = .015 X.XXXX = .001  
X.XXX = .010 X.X° = 1°

NEW AGE ENCLOSURES

Customer's Part No: 623719

APPROVAL	BY	DATE
CHECK		
ENG.		
SCALE	AS NOTED	
DRAWN BY	M BOYER	
	2018-Jul-12	

**NEW AGE ENCLOSURES**

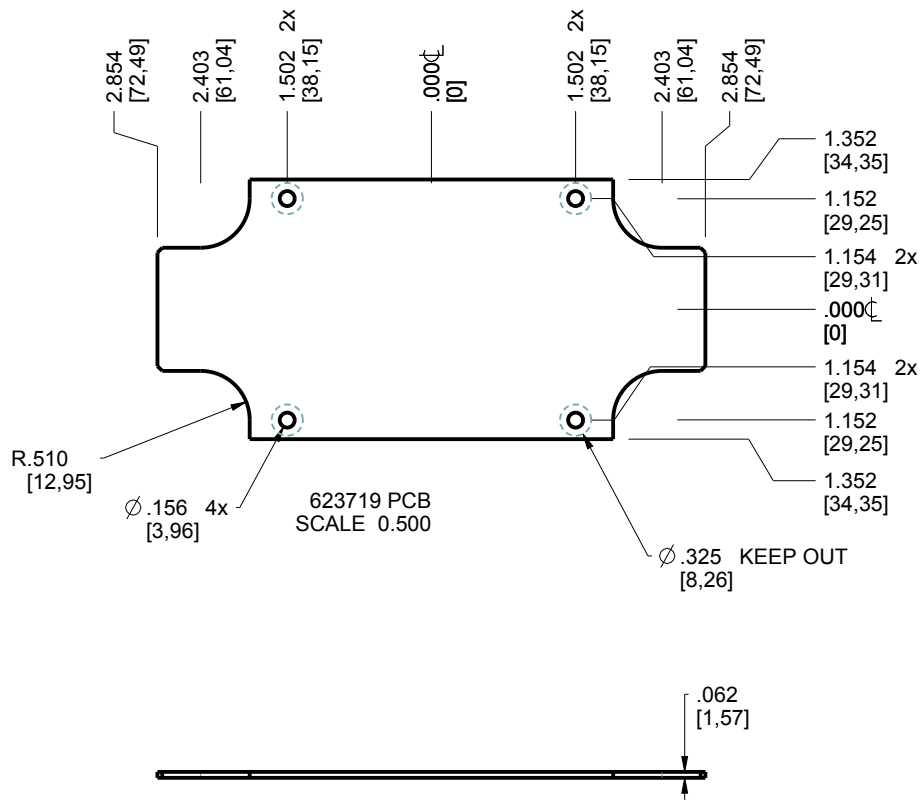
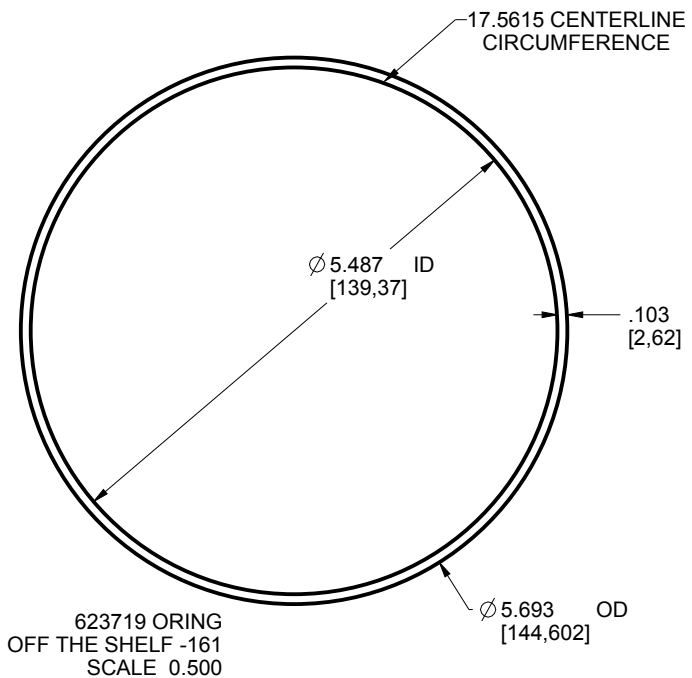
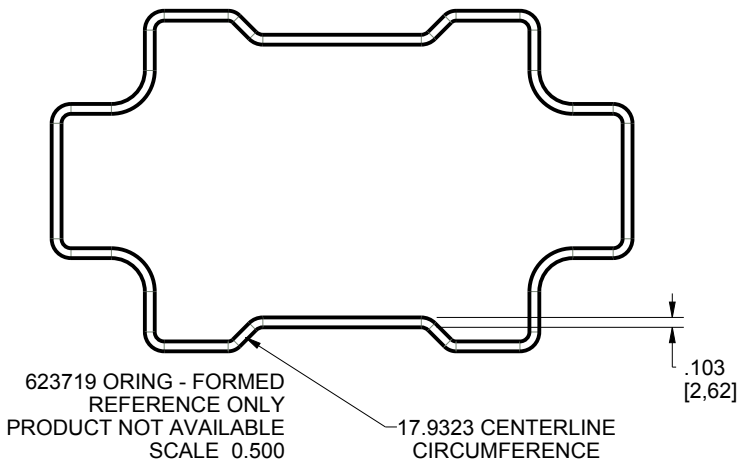
2240 South Thornburg Street Santa Maria, CA. 93455  
ph. (805) 595-1310 fax (805) 595-1024  
www.newageenclosures.com

LARGE RUGGED UTILITY - STANDARD  
SXX-623719-XXX

SIZE	DRAWING NAME	SHEET	REV.DOC
A	623719_R1_1	4 OF 6	1.1

**623719 PCB - CUSTOMER SUPPLIED**

PCB SIZES ARE RECOMMENDATIONS ONLY. FINAL SIZES AND VERIFICATION OF ITS FIT ARE THE SOLE RESPONSIBILITY OF THE OEM.



TOLERANCES: UNLESS OTHERWISE SPECIFIED  
DIMENSIONS ARE IN U.S. INCHES.  
X.XX = .015 X.XXXX = .001  
X.XXX = .010 X.X° = 1°

NEW AGE ENCLOSURES

Customer's Part No: 623719

APPROVAL BY DATE

CHECK

ENG.

SCALE AS NOTED

DRAWN BY M BOYER 2018-Jul-12

**NEW AGE ENCLOSURES**

2240 South Thornburg Street Santa Maria, CA. 93455  
ph. (805) 595-1310 fax (805) 595-1024

www.newageenclosures.com

LARGE RUGGED UTILITY - STANDARD

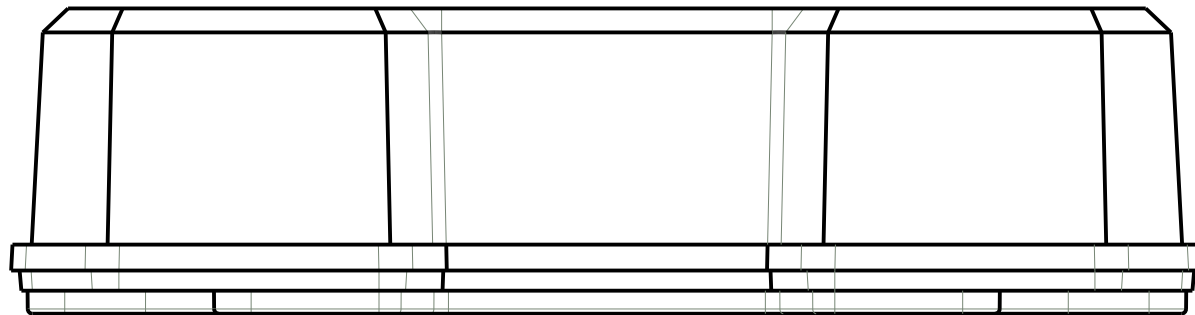
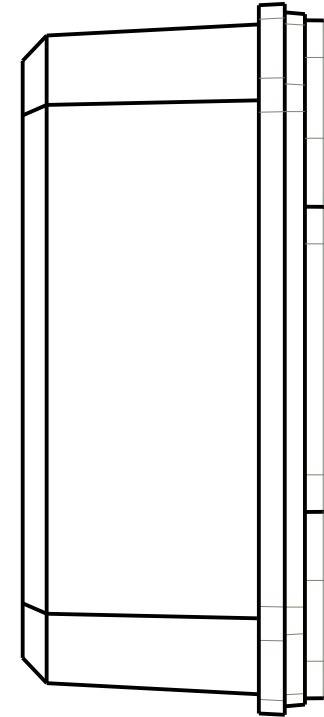
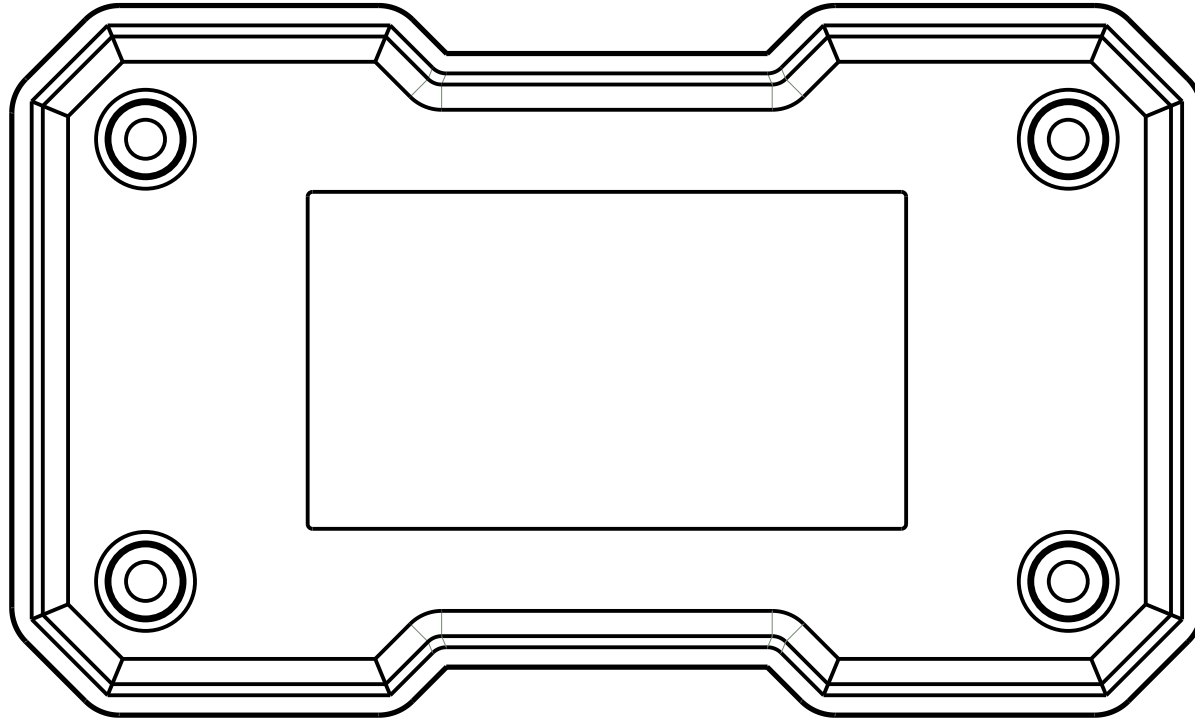
SXX-623719-XXX

SIZE A DRAWING NAME 623719\_R1\_1

SHEET 5 OF 6 REV.DOC 1.1

### 623719 - 2nd OPERATION DETAILS

NEW AGE ENCLOSURES DELIVERS YOUR ENCLOSURE MARKET-READY WITH IN-HOUSE  
CNC MACHINING, PAD PRINTING, ASSEMBLY, AND FULFILLMENT.  
ALL SURFACES AND AREAS ARE AVAILABLE FOR CNC ALTERATION BY NEW AGE ENCLOSURES  
CALL (805) 595-1310 FOR PRICING AND SCHEDULE.  
THE INSIDE RADIUS OF ANY MACHINED FEATURES SHOULD BE NO SMALLER THAN .031"



SCALE 1.000

TOLERANCES: UNLESS OTHERWISE SPECIFIED  
DIMENSIONS ARE IN U.S. INCHES.  
X.XX = .015 X.XXXX = .001  
X.XXX = .010 X.X° = 1°

NEW AGE ENCLOSURES

Customer's Part No: 623719

**NEW AGE ENCLOSURES**

2240 South Thornburg Street Santa Maria, CA. 93455  
ph. (805) 595-1310 fax (805) 595-1024

www.newageenclosures.com

APPROVAL BY DATE

CHECK

ENG.

SCALE AS NOTED

DRAWN BY

M BOYER 2018-Jul-12

LARGE RUGGED UTILITY - STANDARD  
SXX-623719-XXX

SIZE A DRAWING NAME 623719\_R1\_1

SHEET 6 OF 6 REV.DOC 1.1

#### SXX-623719-XXX COVER - ASA, BLACK

STEP	DESCRIPTION	CUTTER	FIXTURE	ORIENTATION	PROGRAM
1-C-C1	-	T2 = .062" EM	744	-	o1001
2-C-C2	-	T2 = .062" EM	744	-	o1002