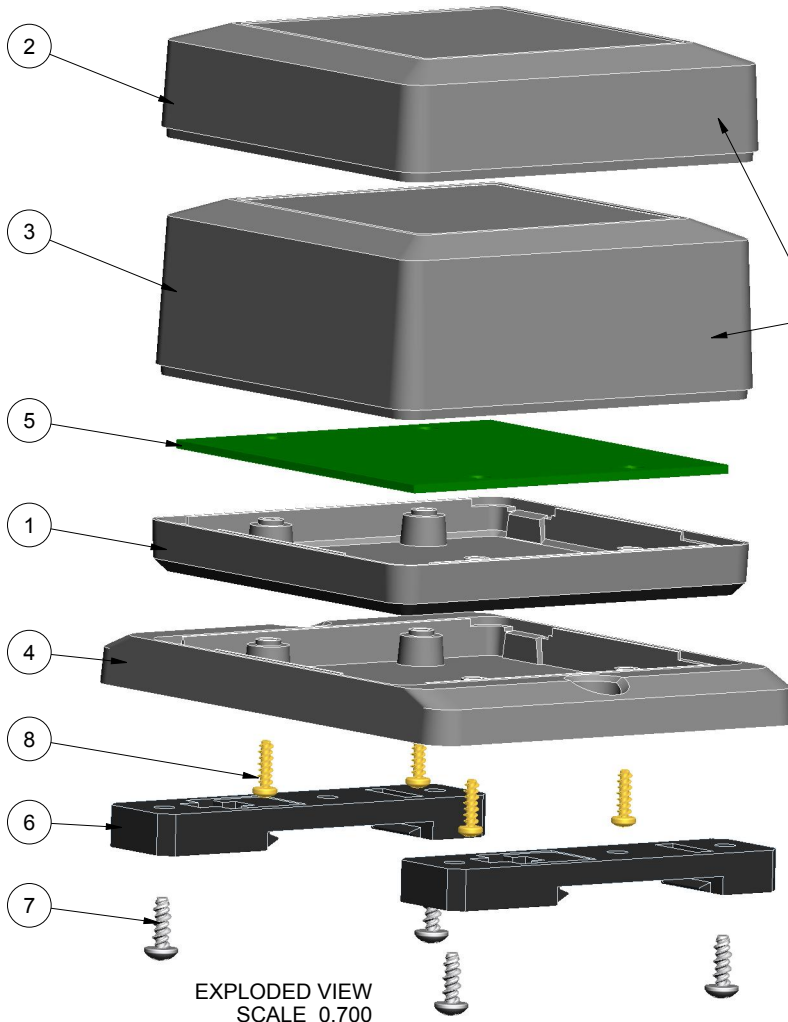


R E V I S I O N

REV.	DRAWN BY	ECO No	DESCRIPTION	DATE	APPROVE
A	M BOYER	DR1622	PRELIMINARY DESIGN BASED ON 333314 THROUGH REV D	2021-Nov-09	J.T.
B	M BOYER		REVISE PER 211109 REVIEW	2021-Nov-10	J.T.
C	M BOYER		REMOVE FACEPLATE	2022-Dec-06	J.T.
D	M BOYER		REMOVE STANDARD BASE VERSION	2023-May-02	D.C.
E	M BOYER		ADD STANDARD BASE AND ALTERNATE HEIGHT COVER	2024-Jan-30	D.C.
F	M BOYER		ADJUST WIDTH OF WALL BASE	2024-Feb-19	D.C.
G	M BOYER		DETAIL TEXTURE INFO AND T1 REVIEW	2024-Apr-08	J.T.
1.0	M BOYER	ECO00625	UPDATE TO AS BUILT AND RELEASE TO MFG	2025-Jan-23	



EXPLODED VIEW
SCALE 0.700

TALL VS SHORT
COVER EQUATES TO
1.200" VS 1.650"
ENCLOSURE HEIGHT

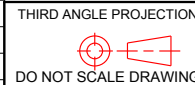
333315(x) CONFIGURATIONS				
	-T	-S	-TW	-SW
333315 TALL COVER	1		1	
333315 SHORT COVER		1		1
333315 STANDARD BASE	1	1		
333315 WALL BASE			1	1
#4 HILO SCREW .375"	4	4	4	4

NOTES: UNLESS OTHERWISE SPECIFIED

- CORNERS DRAWN SHARP TO BE R.005 MAXIMUM.
- EXTERIOR SURFACE TEXTURE TO MT-11020 EXCEPT WHERE NOTED ON SHEETS 2 AND 3.
- INTERIOR SURFACE TEXTURE TO BE: NONE.
- ALL INSIDE RADII .010R. ALL OUTSIDE RADII .020R MAX, UNLESS OTHERWISE SPECIFIED.
- ALL EXTERNAL DIMENSIONS AFFECTED BY THE DRAFT APPLY AT THE LARGE END OF THE FEATURE, AND ALL INTERNAL FEATURES AFFECTED BY THE DRAFT APPLY AT THE SMALL END OF THE FEATURE UNLESS OTHERWISE SPECIFIED.
- 1 DEGREE DRAFT IN THE DIRECTION OF PULL IS PERMISSIBLE UNLESS OTHERWISE SPECIFIED.
- ASSEMBLY SCREWS FOR THE ENCLOSURE INCLUDED. MOUNTING SCREWS FOR THE PCB ARE SOLD SEPERATELY.
- MATERIAL / COLOR: ABS PLASTIC IS STANDARD IN BLACK OR WHITE. CUSTOM MATERIALS AND COLORS ARE AVAILABLE UPON REQUEST FOR QUOTE.
- PCB SIZES ARE RECOMMENDATIONS ONLY. FINAL SIZES AND VERIFICATION OF ITS FIT ARE THE SOLE RESPONSIBILITY OF THE CUSTOMER.

ITEM	FILE NAME	DESCRIPTION	MATERIAL	COLOR	QTY.
8	NO_4_375_SCREW	No4 HiLo x .375" - PCB	#4 HiLo x 3/8"	INCLUDED	4
7	N06X375_HILO_SCREW	#6 HILO X .375" - DIN MOUNT	REFERENCE ONLY	CUSTOMER SUPPLIED	4
6	DINM12-RC	UNIVERSAL DIN RAIL ADAPTER	REFERENCE ONLY	CUSTOMER SUPPLIED	2
5	333315_PCB	333315 PCB - REFERENCE	.062" THICK	CUSTOMER SUPPLIED	1
4	333315_WALL-BASE	333315 WALL - STANDARD	ABS	BLACK or WHITE	1
3	333315_T-COVER	333315 COVER - STANDARD	ABS	BLACK or WHITE	1
2	333315_S-COVER	333315 COVER - STANDARD	ABS	BLACK or WHITE	1
1	333315_BASE	333315 WALL - STANDARD	ABS	BLACK or WHITE	1

BILL OF MATERIALS



TOLERANCES: UNLESS OTHERWISE SPECIFIED
DIMENSIONS ARE IN U.S. INCHES.
X.XX = .015 X.XXXX = .001
X.XXX = .010 X.X" = 1°

NEW AGE ENCLOSURES
Customer's Part No: 333315

APPROVAL	BY	DATE
CHECK		
ENG.		
SCALE	AS NOTED	

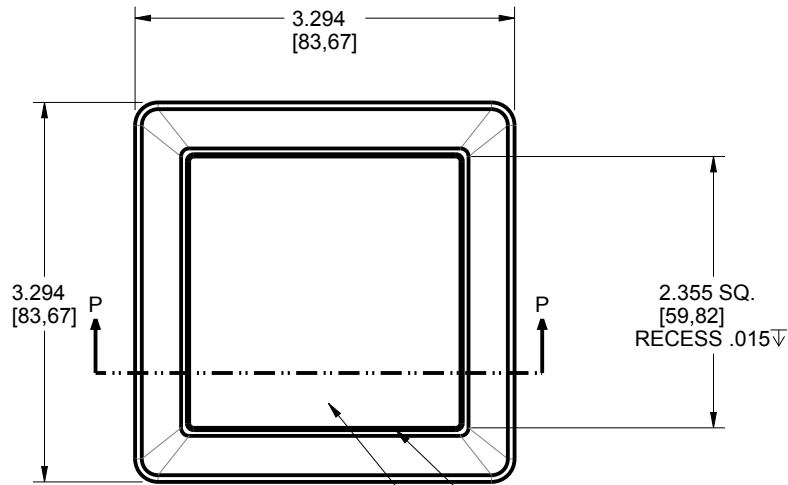
DRAWN BY
M BOYER
2021-Jun-29

NEW AGE ENCLOSURES
2240 South Thornburg Street
ph. (805) 595-1310
Santa Maria, CA, 93455
fax (805) 595-1024
www.newageenclosures.com

**3" SQUARE UTIL. - STANDARD
SXX-333315X-XXX**

SIZE	DRAWING NAME	SHEET	REV.DOC
A	333315X_R1_0	1 OF 9	1.0

333315 "T" ASSEMBLY
TALL COVER + STANDARD BASE

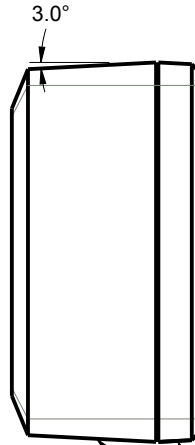


SCALE 0.600

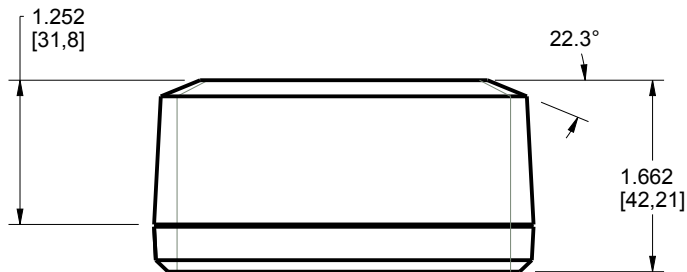
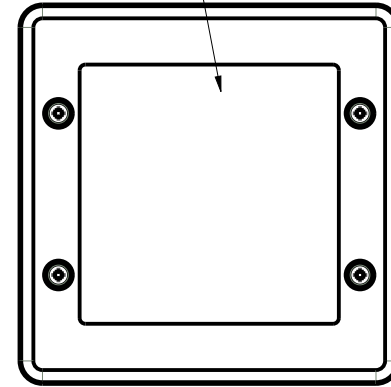
BEAUTY RING TEXTURE TO BE B3 POLISH

RECESS AREA TEXTURE TO BE MT-11010

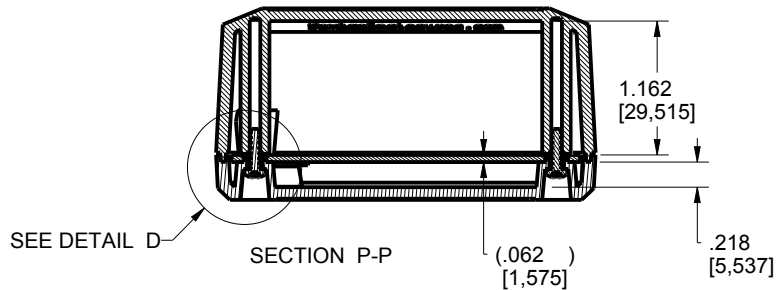
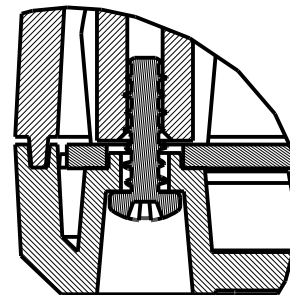
LABEL RECESS TEXTURE TO BE B3 POLISH



ALL 3° WALLS TO BE MT-11020 x 50%



DETAIL D
SCALE 2.000



TOLERANCES: UNLESS OTHERWISE SPECIFIED
DIMENSIONS ARE IN U.S. INCHES.
X.XX = .015 X.XXXX = .001
X.XXX = .010 X.X° = 1°

NEW AGE ENCLOSURES

Customer's Part No: 333315

APPROVAL	BY	DATE
CHECK		
ENG.		
SCALE	AS NOTED	

DRAWN BY
M BOYER

2021-Jun-29

NEW AGE ENCLOSURES

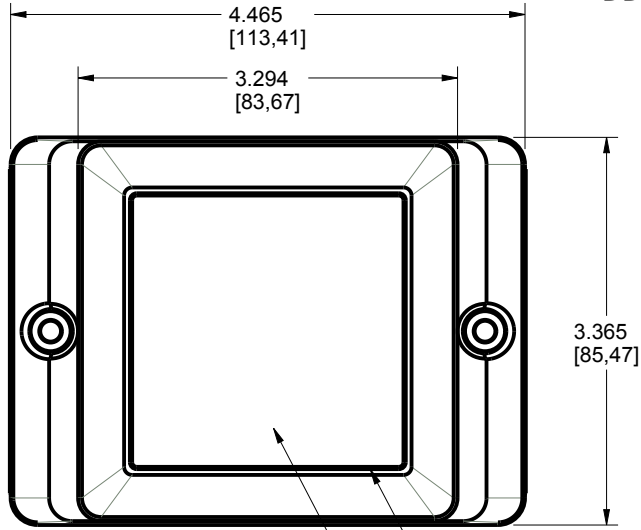
2240 South Thornburg Street Santa Maria, CA. 93455
ph. (805) 595-1310 fax (805) 595-1024
www.newageenclosures.com

3" SQUARE UTIL. - STANDARD
SXX-333315X-XXX

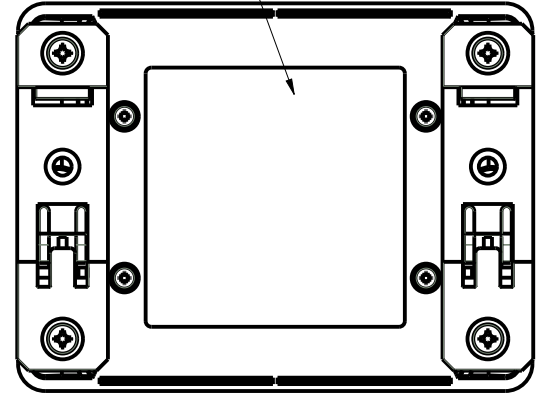
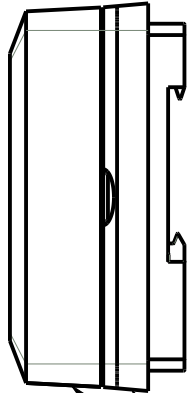
SIZE A DRAWING NAME
333315X_R1_0

SHEET 2 OF 9 REV.DOC 1.0

333315 "SW" ASSEMBLY
SHORT COVER + WALL BASE



LABEL RECESS TEXTURE
TO BE B3 POLISH

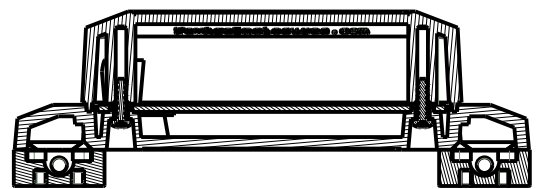
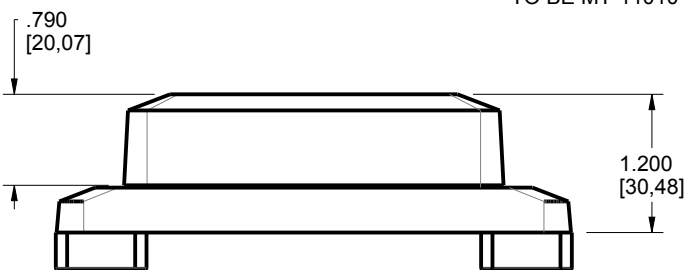


SCALE 0.600

BEAUTY RING TEXTURE
TO BE B3 POLISH

RECESS AREA TEXTURE
TO BE MT-11010

ALL 3° WALLS TO BE MT-11020 x 50% ▽



SECTION P-P

TOLERANCES: UNLESS OTHERWISE SPECIFIED
DIMENSIONS ARE IN U.S. INCHES.
X.XX = .015 X.XXXX = .001
X.XXX = .010 X.X° = 1°

NEW AGE ENCLOSURES

2240 South Thornburg Street Santa Maria, CA. 93455
ph. (855) 462-3625 fax (805) 595-1024
www.newageenclosures.com

Customer's Part No: 333315

APPROVAL	BY	DATE
CHECK		
ENG.		
SCALE	AS NOTED	

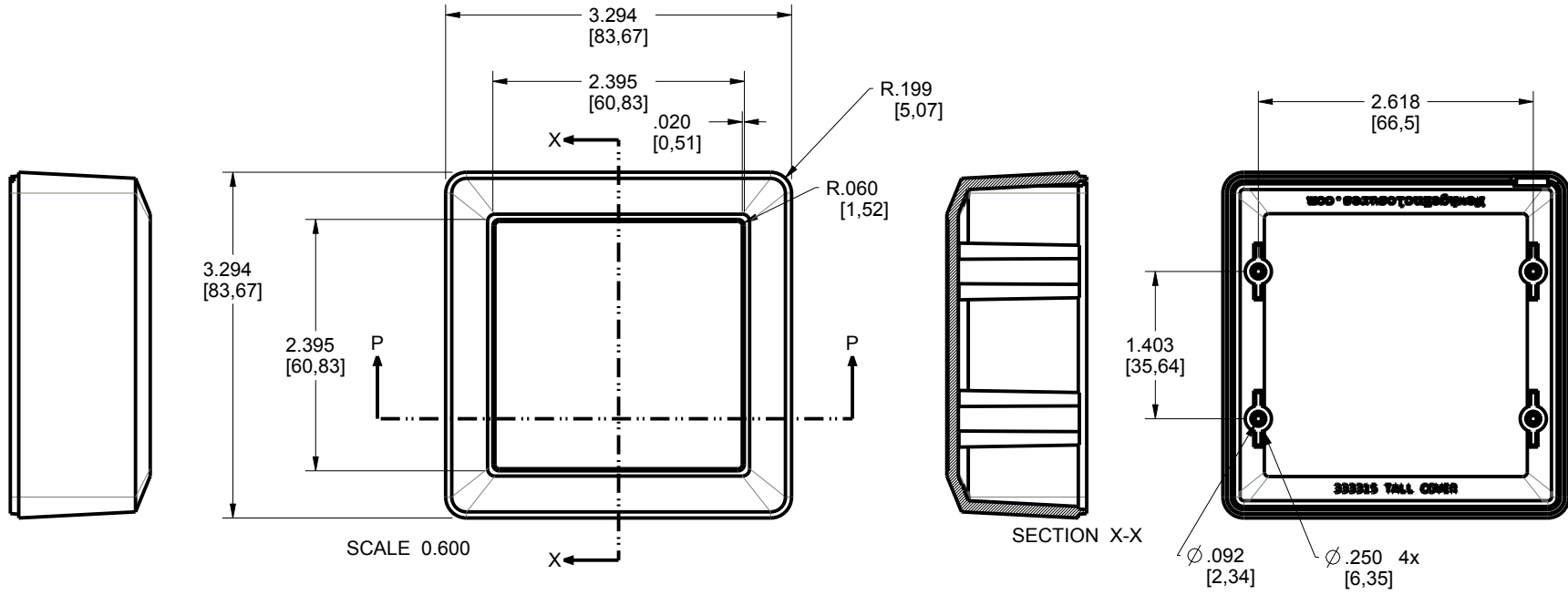
3" SQUARE UTIL. - STANDARD
SXX-333315X-XXX

DRAWN BY
M BOYER 2021-Jun-29

SIZE A DRAWING NAME
333315X_R1_0

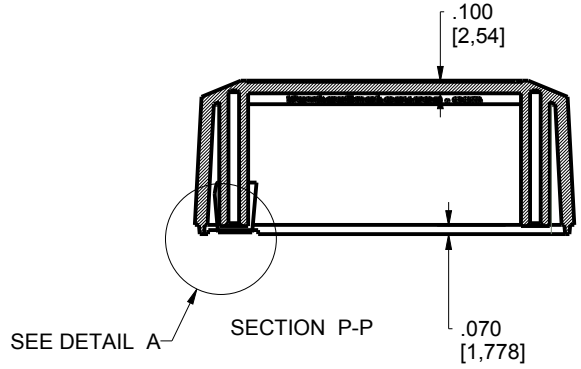
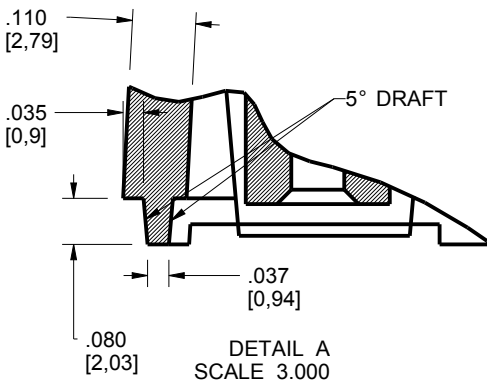
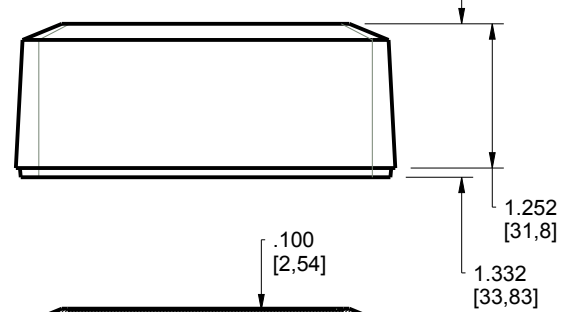
SHEET 3 OF 9 REV.DOC 1.0

333315 TALL COVER



SCALE 0.600

SECTION X-X

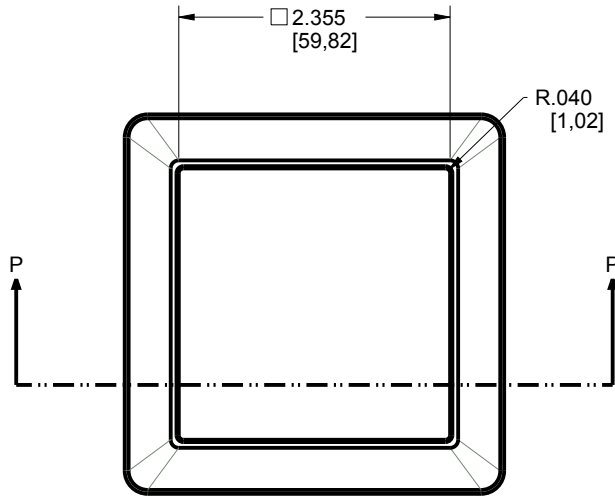


SEE DETAIL A

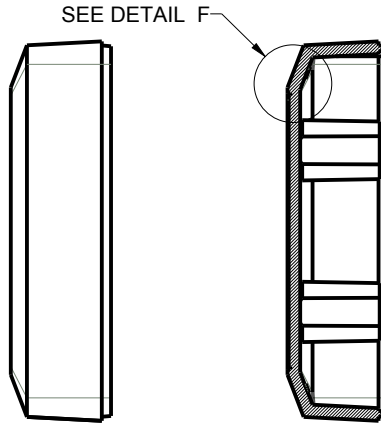
SECTION P-P

TOLERANCES: UNLESS OTHERWISE SPECIFIED DIMENSIONS ARE IN U.S. INCHES. X.XX = .015 X.XXXX = .001 X.XXX = .010 X.X° = 1°		NEW AGE ENCLOSURES	
NEW AGE ENCLOSURES		2240 South Thornburg Street Santa Maria, CA. 93455 ph. (805) 595-1310 fax (805) 595-1024 www.newageenclosures.com	
Customer's Part No: 333315			
APPROVAL	BY	DATE	3" SQUARE UTIL. - STANDARD SXX-333315X-XXX
CHECK			
ENG.			
SCALE	AS NOTED		
DRAWN BY	M BOYER		SIZE A
	2021-Jun-29		DRAWING NAME 333315X_R1_0
			SHEET 4 OF 9
			REV.DOC 1.0

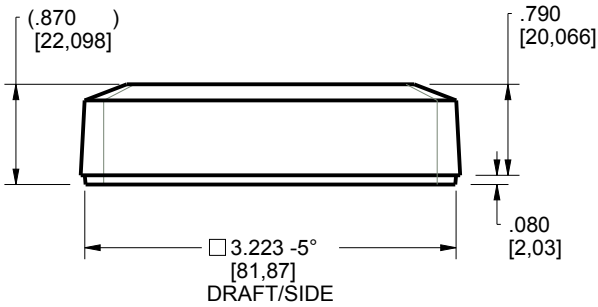
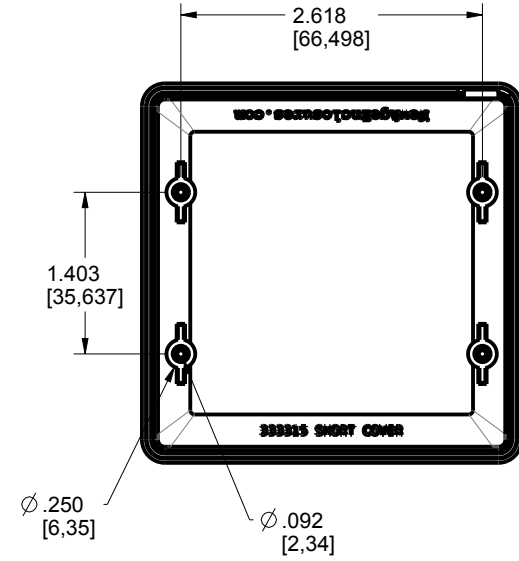
333315 SHORT COVER



SCALE 0.600

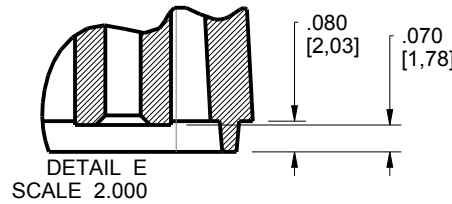


SECTION X-X

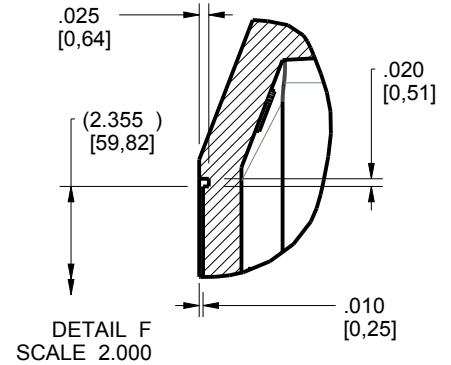


SECTION P-P

SEE DETAIL E



DETAIL E
SCALE 2.000



DETAIL F
SCALE 2.000

TOLERANCES: UNLESS OTHERWISE SPECIFIED
DIMENSIONS ARE IN U.S. INCHES.
X.XX = .015 X.XXXX = .001
X.XXX = .010 X.X° = 1°

NEW AGE ENCLOSURES
2240 South Thornburg Street Santa Maria, CA. 93455
ph. (855) 462-3625 fax (805) 595-1024

Customer's Part No: 333315

www.newageenclosures.com

APPROVAL	BY	DATE
CHECK		
ENG.		
SCALE	AS NOTED	

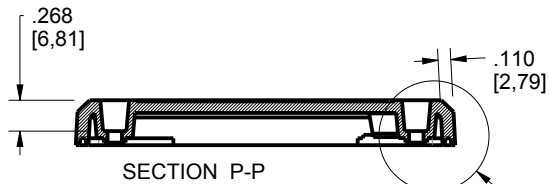
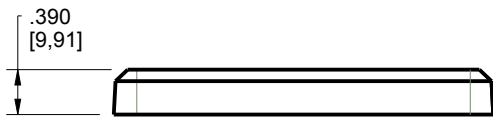
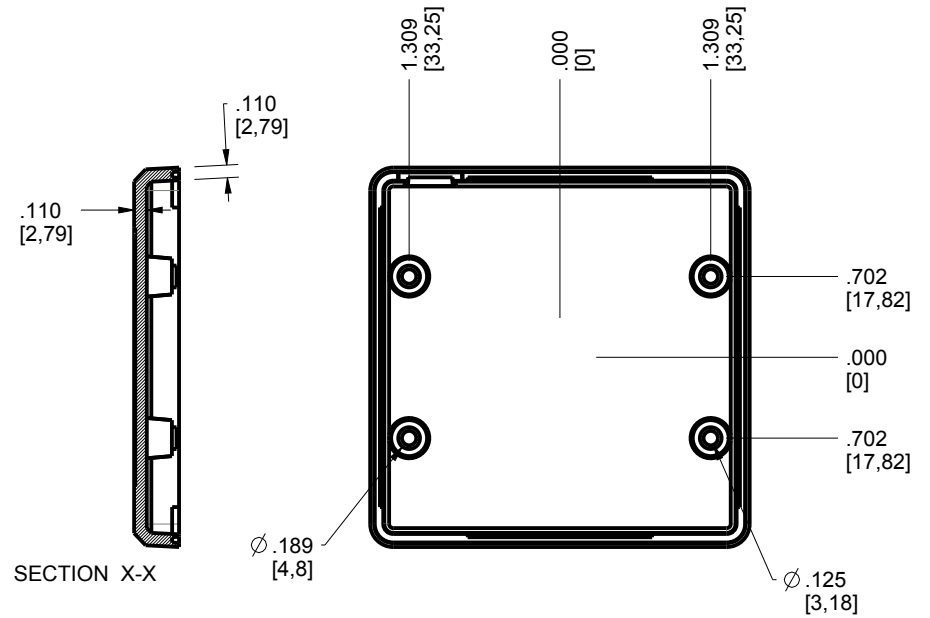
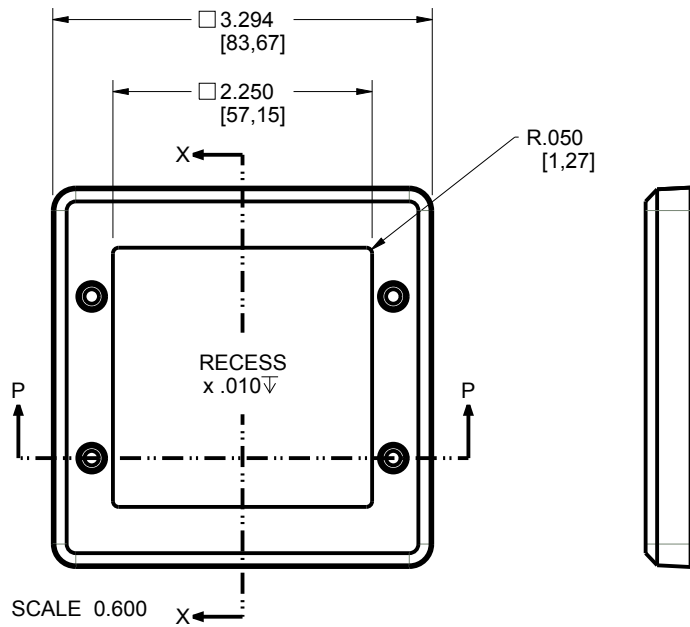
**3" SQUARE UTIL. - STANDARD
SXX-333315X-XXX**

DRAWN BY
M BOYER 2021-Jun-29

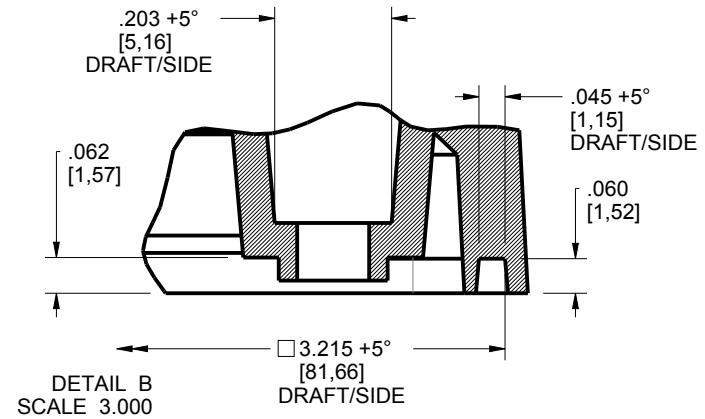
SIZE A DRAWING NAME
333315X_R1_0

SHEET 5 OF 9 REV.DOC 1.0

333315 STANDARD BASE



SEE DETAIL B



TOLERANCES: UNLESS OTHERWISE SPECIFIED
DIMENSIONS ARE IN U.S. INCHES.
X.XX = .015 X.XXXX = .001
X.XXX = .010 X.X° = 1°

NEW AGE ENCLOSURES
Customer's Part No: 333315

APPROVAL	BY	DATE
CHECK		
ENG.		
SCALE	AS NOTED	

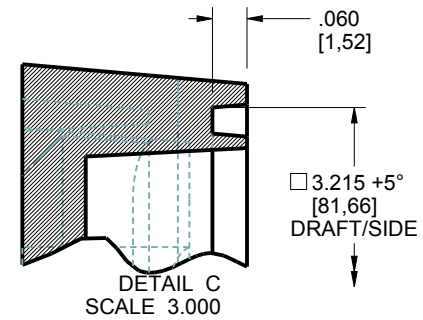
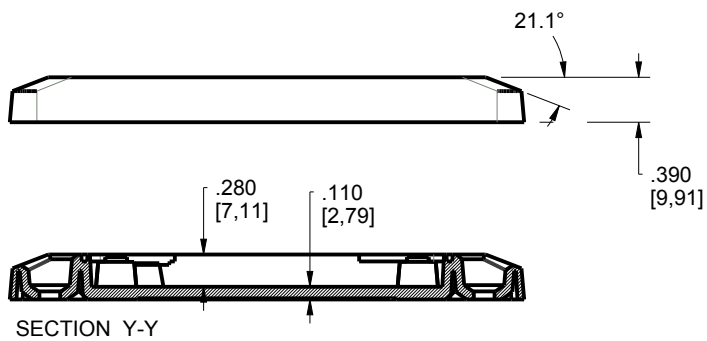
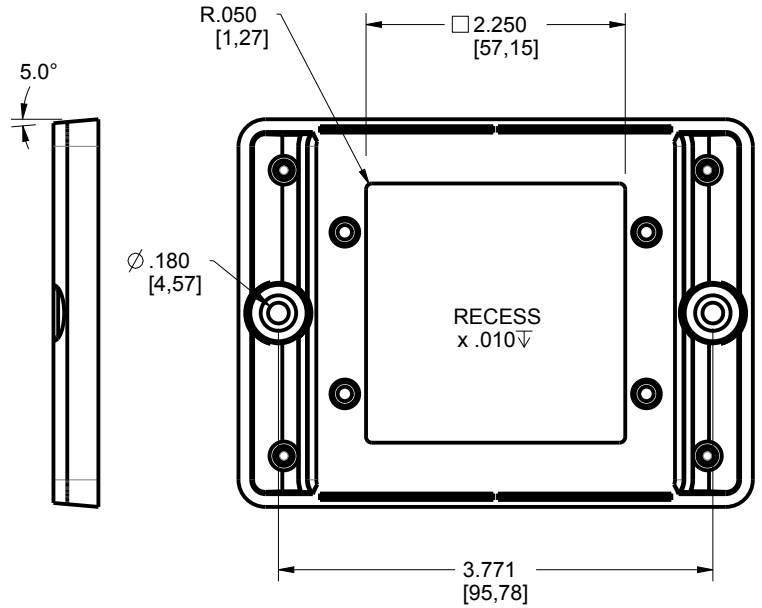
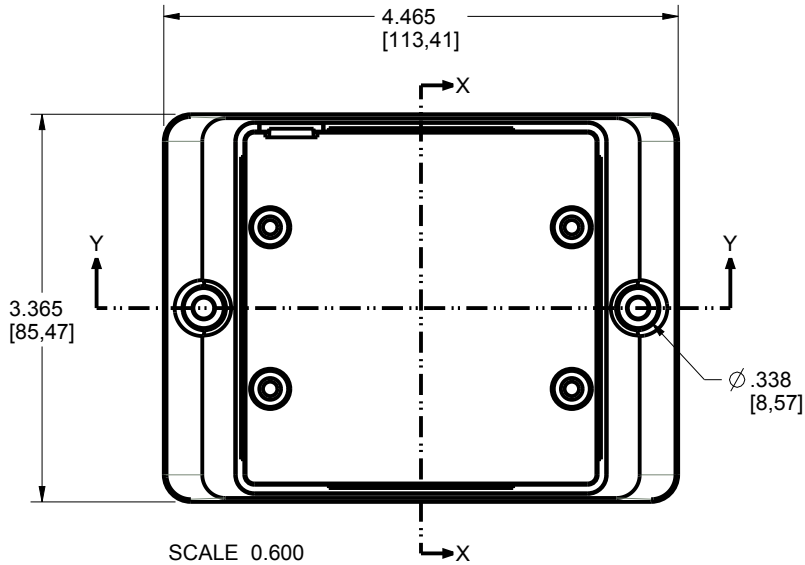
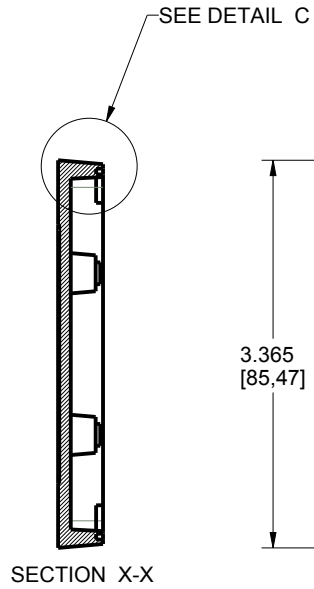
DRAWN BY
M BOYER 2021-Jun-29

NEW AGE ENCLOSURES
2240 South Thornburg Street Santa Maria, CA. 93455
ph. (855) 462-3625 fax (805) 595-1024
www.newageenclosures.com

3" SQUARE UTIL. - STANDARD
SXX-333315X-XXX

SIZE	DRAWING NAME	SHEET	REV.DOC
A	333315X_R1_0	6 OF 9	1.0

333315 WALL BASE



TOLERANCES: UNLESS OTHERWISE SPECIFIED
DIMENSIONS ARE IN U.S. INCHES.
X.XX = .015 X.XXXX = .001
X.XXX = .010 X.X° = 1°

NEW AGE ENCLOSURES
Customer's Part No: 333315

APPROVAL	BY	DATE
CHECK		
ENG.		
SCALE	AS NOTED	

DRAWN BY
M BOYER 2021-Jun-29

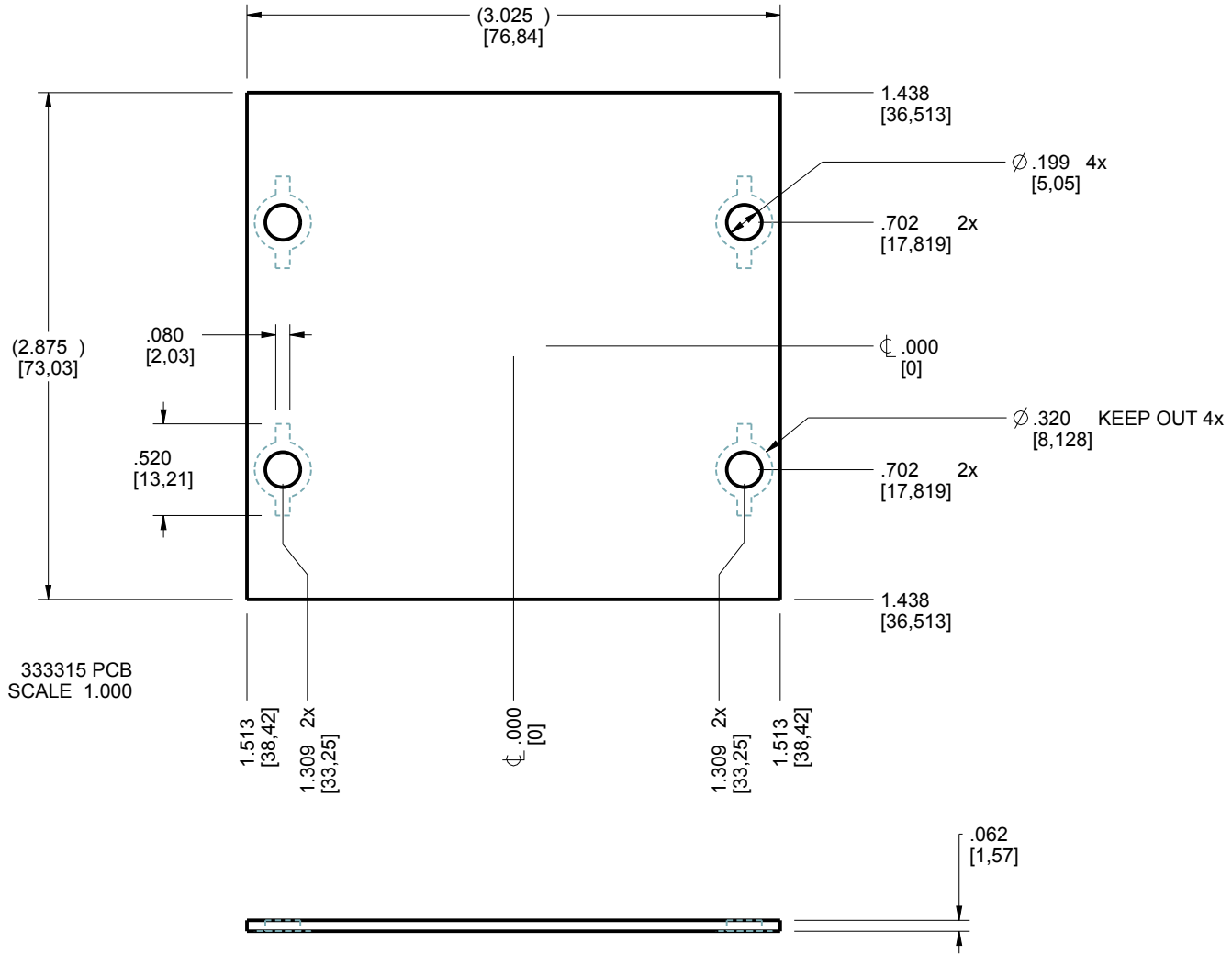
NEW AGE ENCLOSURES
2240 South Thornburg Street Santa Maria, CA. 93455
ph. (805) 595-1310 fax (805) 595-1024
www.newageenclosures.com

3" SQUARE UTIL. - STANDARD
SXX-333315X-XXX

SIZE A	DRAWING NAME 333315X_R1_0	SHEET 7 OF 9	REV.DOC 1.0
-----------	------------------------------	-----------------	----------------

333315 PCB - CUSTOMER SUPPLIED

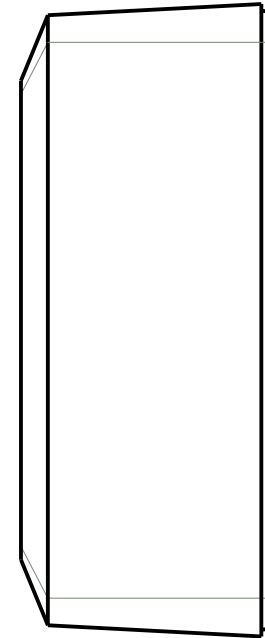
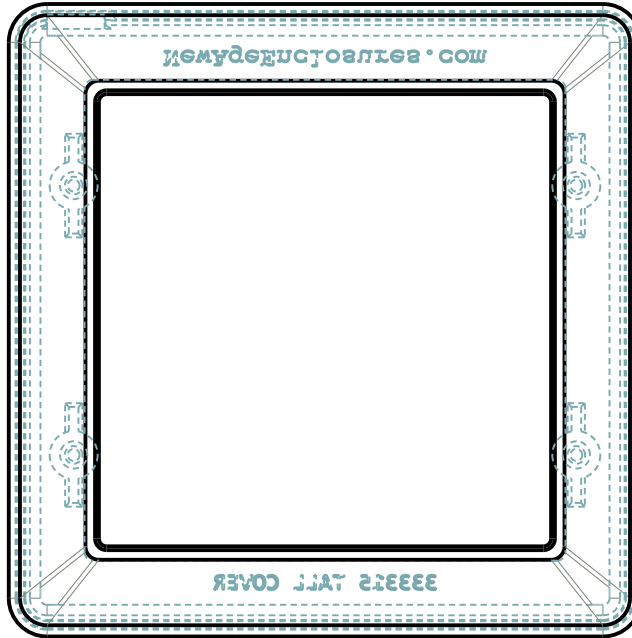
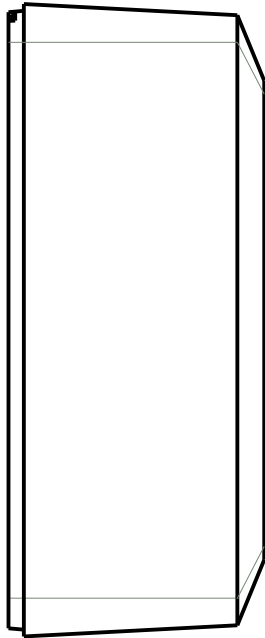
PCB SIZES ARE RECOMMENDATIONS ONLY. FINAL SIZES AND VERIFICATION OF ITS FIT ARE THE SOLE RESPONSIBILITY OF THE OEM.



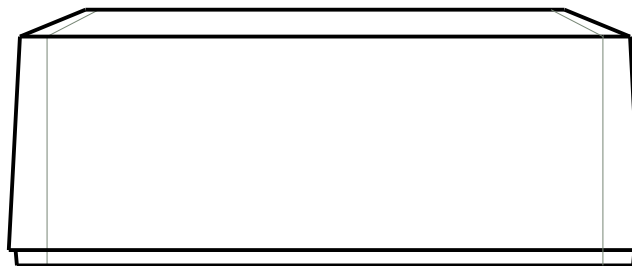
<small>TOLERANCES: UNLESS OTHERWISE SPECIFIED DIMENSIONS ARE IN U.S. INCHES. X.XX = .015 X.XXXX = .001 X.XXX = .010 X.X° = 1°</small>		NEW AGE ENCLOSURES 2240 South Thornburg Street Santa Maria, CA. 93455 ph. (805) 595-1310 fax (805) 595-1024 www.newageenclosures.com		
NEW AGE ENCLOSURES Customer's Part No: 333315				
APPROVAL	BY	DATE	3" SQUARE UTIL. - STANDARD SXX-333315X-XXX	
CHECK				
ENG.				
SCALE	AS NOTED			
DRAWN BY	SIZE	DRAWING NAME	SHEET	REV.DOC
M BOYER	A	333315X_R1_0	8 OF 9	1.0

2nd OPERATION DETAILS - SHEET 1 of 1

NEW AGE ENCLOSURES DELIVERS YOUR ENCLOSURE MARKET-READY WITH IN-HOUSE
CNC MACHINING, PAD PRINTING, ASSEMBLY, AND FULFILLMENT.
ALL SURFACES AND AREAS ARE AVAILABLE FOR CNC ALTERATION BY NEW AGE ENCLOSURES
CALL (805) 595-1310 FOR PRICING AND SCHEDULE.
THE INSIDE RADIUS OF ANY MACHINED FEATURES SHOULD BE NO SMALLER THAN .031"



333315 TALL COVER
SCALE 1.000



333315(x) CONFIGURATIONS				
	-T	-S	-TW	-SW
333315 TALL COVER	1		1	
333315 SHORT COVER		1		1
333315 STANDARD BASE	1	1		
333315 WALL BASE			1	1
#4 HiLo SCREW .375"	4	4	4	4

TOLERANCES: UNLESS OTHERWISE SPECIFIED
DIMENSIONS ARE IN U.S. INCHES.
X.XX = .015 X.XXXX = .001
X.XXX = .010 X.X° = 1°

NEW AGE ENCLOSURES

Customer's Part No: 333315

APPROVAL	BY	DATE
CHECK		
ENG.		
SCALE	AS NOTED	
DRAWN BY	M BOYER	
	2021-Jun-29	

NEW AGE ENCLOSURES

2240 South Thornburg Street Santa Maria, CA. 93455
ph. (805) 595-1310 fax (805) 595-1024
www.newageenclosures.com

3" SQUARE UTIL. - STANDARD
SXX-333315X-XXX

SIZE	DRAWING NAME	SHEET	REV.DOC
A	333315X_R1_0	9 OF 9	1.0

SXX-333315-XXX COVER - ABS, BLACK

STEP NO	DESCRIPTION	CUTTER	FIXTURE	ORIENTATION	PROGRAM
1-C-C1	-	T2 = .062" EM	-	-	o1000